



HARRIS

CD4026B, CD4033B Types

CMOS Decade Counters/Dividers

High-Voltage Types (20-Volt Rating)
With Decoded 7-Segment Display Outputs and:
Display Enable — CD4026B
Ripple Blanking — CD4033B

■ CD4026B and CD4033B each consist of a 5-stage Johnson decade counter and an output decoder which converts the Johnson code to a 7-segment decoded output for driving one stage in a numerical display.

These devices are particularly advantageous in display applications where low power dissipation and/or low package count are important.

Inputs common to both types are CLOCK, RESET, & CLOCK INHIBIT; common outputs are CARRY OUT and the seven decoded outputs (a, b, c, d, e, f, g). Additional inputs and outputs for the CD4026B include DISPLAY ENABLE IN and DISPLAY ENABLE and UNGATED "C" SEGMENT outputs. Signals peculiar to the CD4033B are RIPPLE-BLANKING INPUT AND LAMP TEST INPUT and a RIPPLE-BLANKING OUTPUT.

A high RESET signal clears the decade counter to its zero count. The counter is advanced one count at the positive clock signal transition if the CLOCK INHIBIT signal is low. Counter advancement via the clock line is inhibited when the CLOCK INHIBIT signal is high. The CLOCK INHIBIT signal can be used as a negative-edge clock if the clock line is held high. Antilock gating is provided on the JOHNSON counter, thus assuring proper counting sequence. The CARRY-OUT (C_{OUT}) signal completes one cycle every ten CLOCK INPUT cycles and is used to clock the succeeding decade directly in a multi-decade counting chain. The seven decoded outputs (a, b, c, d, e, f, g) illuminate the proper segments in a seven

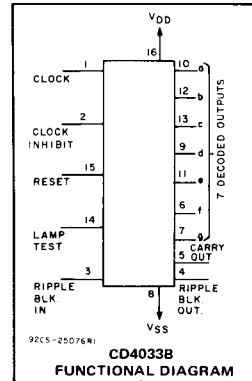
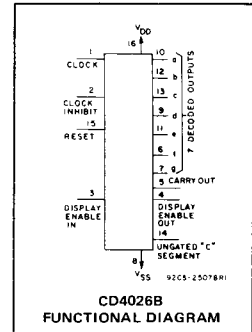
Features:

- Counter and 7-segment decoding in one package
- Easily interfaced with 7-segment display types
- Fully static counter operation: DC to 6 MHz (typ.) at $V_{DD}=10\text{ V}$
- Ideal for low-power displays
- Display enable output (CD4026B)
- "Ripple blanking" and lamp test (CD4033B)
- 100% tested for quiescent current at 20 V
- Standardized, symmetrical output characteristics
- 5-V, 10-V, and 15-V parametric ratings
- Schmitt-triggered clock inputs
- Meets all requirements of JEDEC Tentative Standard No. 13B, "Standard Specifications for Description of 'B' Series CMOS Devices"

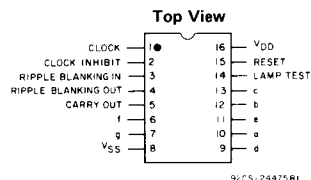
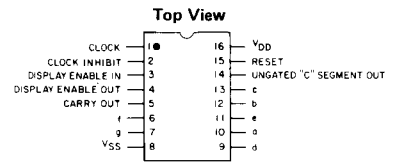
Applications

- Decade counting 7-segment decimal display
- Frequency division 7-segment decimal displays
- Clocks, watches, timers (e.g. $\div 60$, $\div 60$, $\div 12$ counter/display)
- Counter/display driver for meter applications

segment display device used for representing the decimal numbers 0 to 9. The 7-segment outputs go high on selection in the CD4033B; in the CD4026B these outputs go high only when the DISPLAY ENABLE IN is high.



TERMINAL DIAGRAMS



MAXIMUM RATINGS, Absolute-Maximum Values:

DC SUPPLY-VOLTAGE RANGE, (V_{DD})

Voltages referenced to V_{SS} Terminal -0.5V to +20V

INPUT VOLTAGE RANGE, ALL INPUTS -0.5V to $V_{DD} + 0.5\text{V}$

DC INPUT CURRENT, ANY ONE INPUT $\pm 10\text{ mA}$

POWER DISSIPATION PER PACKAGE (P_D):

For $T_A = -55^\circ\text{C}$ to $+100^\circ\text{C}$ 500mW

For $T_A = +100^\circ\text{C}$ to $+125^\circ\text{C}$ Derate Linearly at $12\text{mW}/^\circ\text{C}$ to 200mW

DEVICE DISSIPATION PER OUTPUT TRANSISTOR

FOR $T_A = \text{FULL PACKAGE-TEMPERATURE RANGE (All Package Types)}$ 100mW

OPERATING-TEMPERATURE RANGE (T_A) -55°C to $+125^\circ\text{C}$

STORAGE TEMPERATURE RANGE (T_{stg}) -65°C to $+150^\circ\text{C}$

LEAD TEMPERATURE (DURING SOLDERING):

At distance $1/16 \pm 1/32$ inch (1.59 \pm 0.79mm) from case for 10s max $+262^\circ\text{C}$

CD4026B, CD4033B Types

RECOMMENDED OPERATING CONDITIONS

For maximum reliability, nominal operating conditions should be selected so that operation is always within the following ranges:

CHARACTERISTIC	V _{DD} (V)	LIMITS		UNITS
		MIN.	MAX.	
Supply-Voltage Range (For T _A = Full Package Temperature Range)		3	18	V
Clock Input Frequency, f _{CL}	5 10 15	— — —	2.5 5.5 8	MHz
Clock Pulse Width, t _{WCL}	5 10 15	220 100 80	— — —	ns
Clock Rise and Fall Time, t _{rCL} , t _{fCL}	5 10 15	— — —	Unlimited	
Clock Inhibit Set Up Time, t _{SU}	5 10 15	200 50 30	— — —	
Reset Pulse Width, t _W	5 10 15	200 100 50	— — —	
Reset Removal Time	5 10 15	30 15 10	— — —	

STATIC ELECTRICAL CHARACTERISTICS

CHARACTERISTIC	CONDITIONS			LIMITS AT INDICATED TEMPERATURES (°C)							UNITS
	V _O (V)	V _{IN} (V)	V _{DD} (V)	-55	-40	+85	+125	+25			
								Min.	Typ.	Max.	
Quiescent Device Current, I _{DD} Max.	—	0.5	5	5	5	150	150	—	0.04	5	μA
	—	0.10	10	10	10	300	300	—	0.04	10	
	—	0.15	15	20	20	600	600	—	0.04	20	
Output Low (Sink) Current, I _{OL} Min.	0.4	0.5	5	0.64	0.61	0.42	0.36	0.51	1	—	mA
	0.5	0.10	10	1.6	1.5	1.1	0.9	1.3	2.6	—	
	1.5	0.15	15	4.2	4	2.8	2.4	3.4	6.8	—	
Output High (Source) Current, I _{OH} Min.	4.6	0.5	5	-0.64	-0.61	-0.42	-0.36	-0.51	-1	—	mA
	2.5	0.5	5	-2	-1.8	-1.3	-1.15	-1.6	-3.2	—	
	9.5	0.10	10	-1.6	-1.5	-1.1	-0.9	-1.3	-2.6	—	
	13.5	0.15	15	-4.2	-4	-2.8	-2.4	-3.4	-6.8	—	
Output Voltage: Low-Level, V _{OL} Max.	—	0.5	5	0.05			—	0	0.05	V	
	—	0.10	10	0.05			—	0	0.05		
	—	0.15	15	0.05			—	0	0.05		
Output Voltage: High-Level, V _{OH} Min.	—	0.5	5	4.95			4.95	5	—	V	
	—	0.10	10	9.95			9.95	10	—		
	—	0.15	15	14.95			14.95	15	—		
Input Low Voltage, V _{IL} Max.	0.5, 4.5	—	5	1.5			—	—	1.5	V	
	1.9	—	10	3			—	—	3		
	1.5, 13.5	—	15	4			—	—	4		
Input High Voltage, V _{IH} Min.	0.5, 4.5	—	5	3.5			3.5	—	—	V	
	1.9	—	10	7			7	—	—		
	1.5, 13.5	—	15	11			11	—	—		
Input Current I _{IN} Max.		0.18	18	±0.1	±0.1	±1	±1	—	±10 ⁻⁵	±0.1	μA

CD4026B

When the DISPLAY ENABLE IN is low the seven decoded outputs are forced low regardless of the state of the counter. Activation of the display only when required results in significant power savings. This system also facilitates implementation of display-character multiplexing.

The CARRY OUT and UNGATED "CSEGMENT" signals are not gated by the DISPLAY ENABLE and therefore are available continuously. This feature is a requirement in implementation of certain divider functions such as divide-by-60 and divide-by-12.

CD4033B

The CD4033B has provisions for automatic blanking of the non-significant zeros in a multi-digit decimal number which results in an easily readable display consistent with normal writing practice. For example, the number 0050.0700 in an eight digit display would be displayed as 50.07. Zero suppression on the integer side is obtained by connecting the RBI terminal of the CD4033B associated with the most significant digit in the display to a low-level voltage and connecting the RBO terminal of that stage to the RBI terminal of the CD4033B in the next-lower significant position in the display. This procedure is continued for each succeeding CD4033B on the integer side of the display.

On the fraction side of the display the RBI of the CD4033B associated with the least significant bit is connected to a low-level voltage and the RBO of that CD4033B is connected to the RBI terminal of the CD4033B in the next more-significant-bit position. Again, this procedure is continued for all CD4033B's on the fraction side of the display.

In a purely fractional number the zero immediately preceding the decimal point can be displayed by connecting the RBI of that stage to a high level voltage (instead of to the RBO of the next more-significant-stage). For example: optional zero → 0.7346. Likewise, the zero in a number such as 763.0 can be displayed by connecting the RBI of the CD4033B associated with it to a high-level voltage.

Ripple blanking of non-significant zeros provides an appreciable savings in display power.

The CD4033B has a LAMP TEST input which, when connected to a high-level voltage, overrides normal decoder operation and enables a check to be made on possible display malfunctions by putting the seven outputs in the high state.

The CD4026B- and CD4033B-series types are supplied in 16-lead hermetic dual-in-line ceramic packages (D and F suffixes), 16-lead dual-in-line plastic packages (E suffix), and in chip form (H suffix).

3

COMMERCIAL CMOS
HIGH VOLTAGE ICs

CD4026B, CD4033B Types

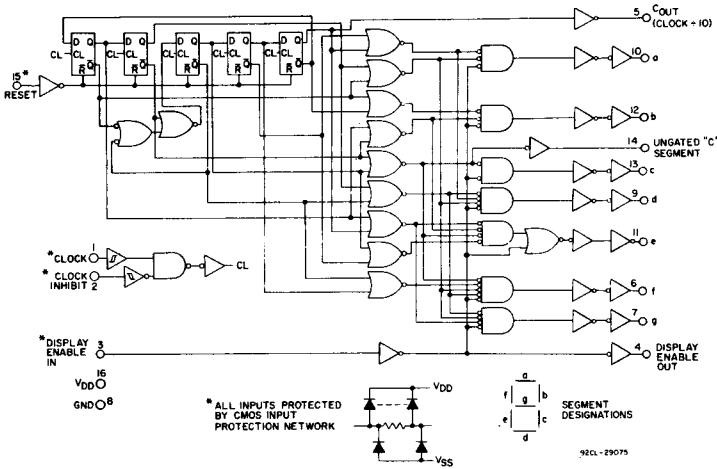


Fig. 1 - CD4026B logic diagram.

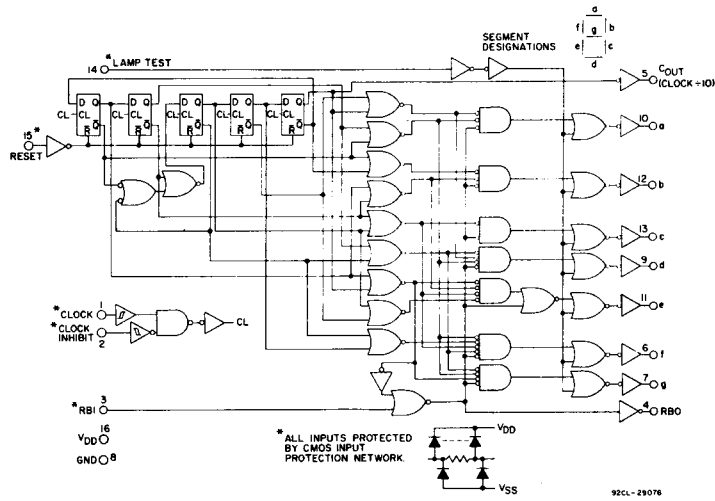


Fig. 2 - CD4033B logic diagram.

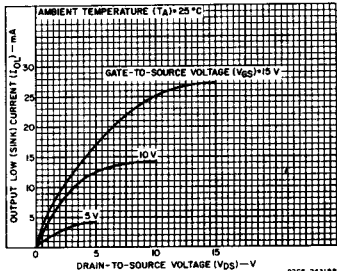


Fig. 6 - Typical n-channel output low (sink) current characteristics.

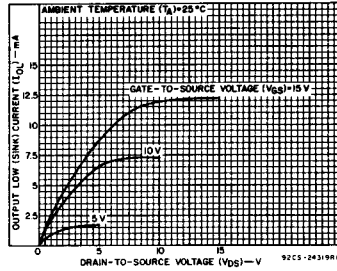


Fig. 7 - Minimum n-channel output low (sink) current characteristics.

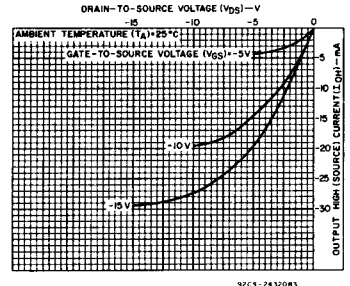


Fig. 8 - Typical p-channel output high (source) current characteristics.

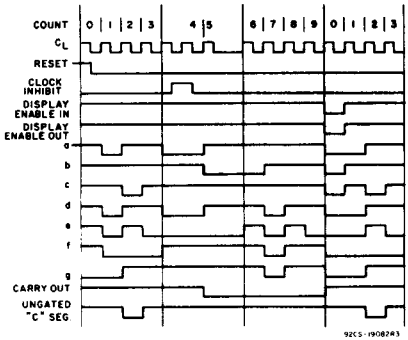


Fig. 3 - CD4026B timing diagram.

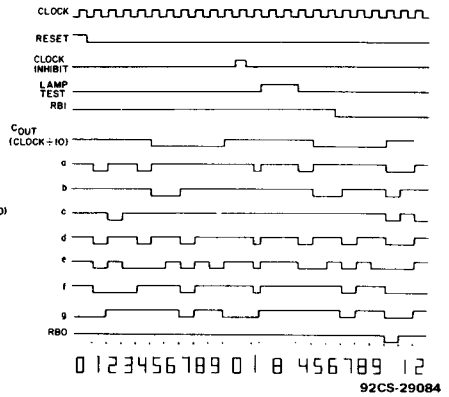


Fig. 4 - CD4033B timing diagram.

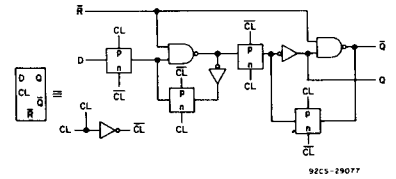


Fig. 5 - Detail of typical flip-flop stage for both types.

CD4026B, CD4033B Types

DYNAMIC ELECTRICAL CHARACTERISTICS at $T_A = 25^\circ\text{C}$, Input $t_r, t_f = 20\text{ ns}$,
 $C_L = 50\text{ pF}$, $R_L = 200\text{ k}\Omega$

CHARACTERISTIC	TEST CONDITIONS	LIMITS			UNITS	
		V_{DD} (V)	Min.	Typ.		Max.
CLOCKED OPERATION						
Propagation Delay Time; Carry-Out Line t_{PLH}, t_{PHL}		5	—	250	500	
		10	—	100	200	
		15	—	75	150	
Decode Outlines		5	—	350	700	ns
		10	—	125	250	
		15	—	90	180	
Transition Time; Carry-Out Line t_{THL}, t_{TLH}		5	—	100	200	
		10	—	50	100	
		15	—	25	50	
Maximum Clock Input Frequency, f_{CL}^{Δ}		5	2.5	5	—	MHz
		10	5.5	11	—	
		15	8	16	—	
Min. Clock Pulse Width, t_W		5	—	110	220	
		10	—	50	100	
		15	—	40	80	
Clock and Clock Inhibit Rise or Fall Time; t_{rCL}, t_{fCL}		5	Unlimited			ns
		10				
		15				
Average Input Capacitance, C_{IN}	Any Input	—	5	7	pF	
RESET OPERATION						
Propagation Delay Time; To Carry-Out Line, t_{PLH}		5	—	275	550	
		10	—	120	240	
		15	—	80	160	
To Decode Out Lines, t_{PHL}, t_{PLH}		5	—	300	600	ns
		10	—	125	250	
		15	—	90	180	
Min. Reset Pulse Width, t_W		5	—	100	120	
		10	—	50	100	
		15	—	25	50	
Min. Reset Removal Time		5	—	0	30	
		10	—	0	15	
		15	—	0	10	

Δ Measured with respect to carry-out line.

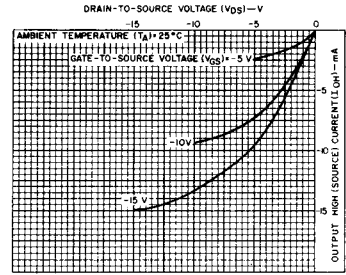


Fig. 9 — Minimum p-channel output high (source) current characteristics.

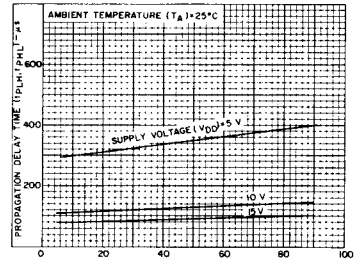


Fig. 10 — Typical propagation delay time as a function of load capacitance for decoded outputs.

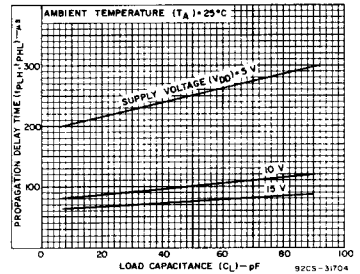


Fig. 11 — Typical propagation delay time as a function of load capacitance for carry-out outputs.

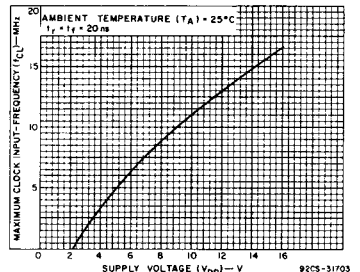


Fig. 12 — Typical maximum clock input-frequency as a function of supply voltage.

3
COMMERCIAL CMOS
HIGH VOLTAGE ICs

CD4026B, CD4033B Types

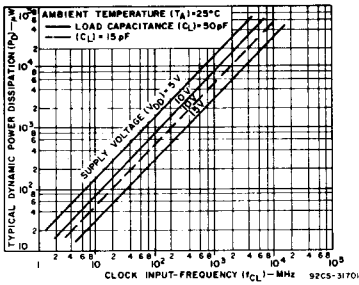


Fig. 13 — Typical power dissipation as a function of clock input frequency.

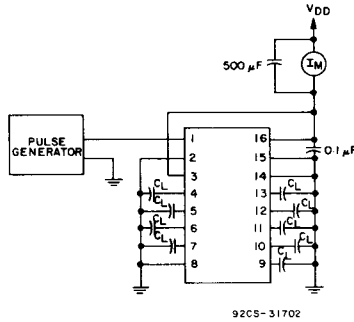


Fig. 14 — Dynamic power dissipation test circuit for CD4033B.

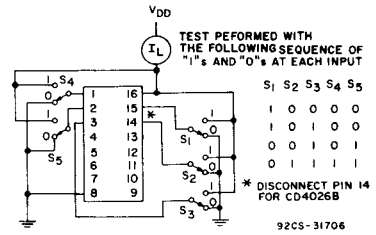


Fig. 15 — Quiescent device current.

INTERFACING THE CD4026B AND CD4033B WITH COMMERCIALY AVAILABLE LIGHT EMITTING DIODE DISPLAYS

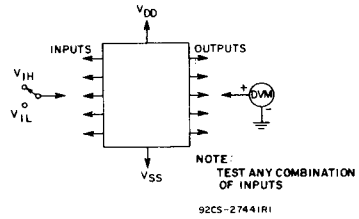
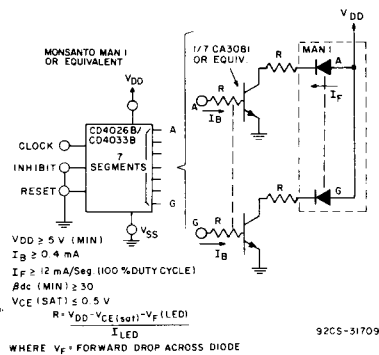
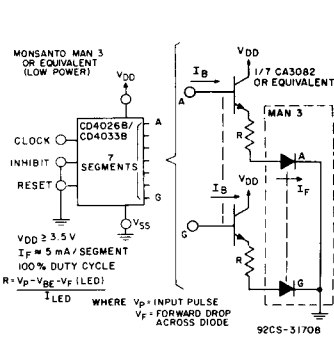


Fig. 16 — Input voltage.

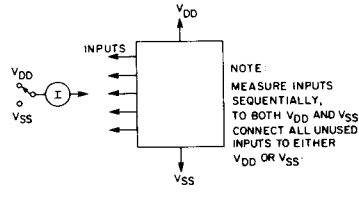
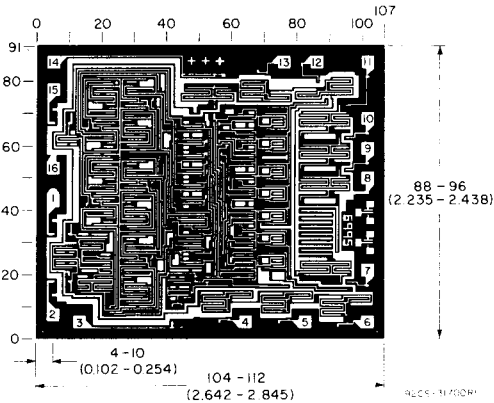
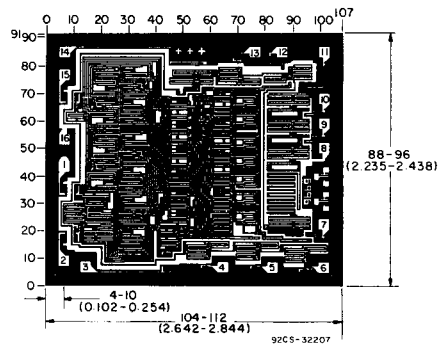


Fig. 17 — Input current.



Chip dimensions and pad layout for CD4026B

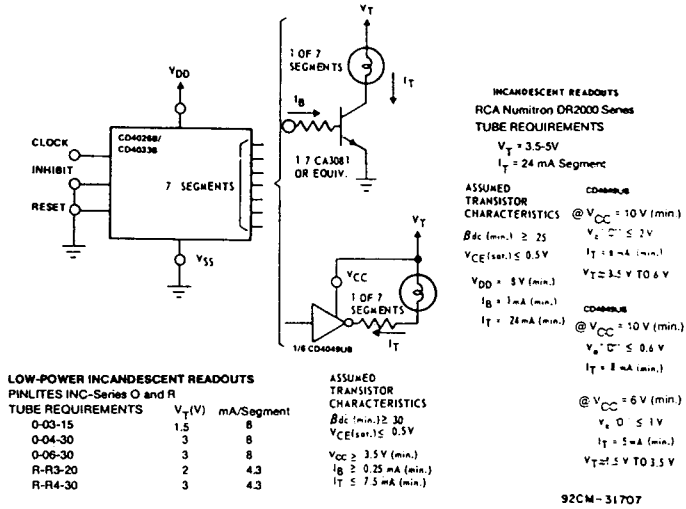
Dimensions in parentheses are in millimeters and are derived from the basic inch dimensions as indicated. Grid graduations are in mils (10⁻³ inch).



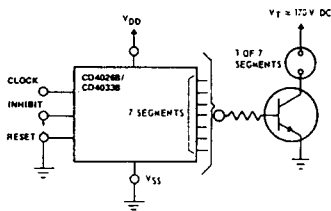
Chip dimensions and pad layout for CD4033B

CD4026B, CD4033B Types

INTERFACING THE CD4026B AND CD4033B WITH COMMERCIALLY AVAILABLE 7-SEGMENT DISPLAY DEVICES*



* The interfacing buffers shown, while a necessity with the CD4026A and CD4033A, are not required when using the "B" devices; the "B" outputs (≈ 10 times the "A" outputs) can drive most display devices directly especially at voltages above 10 V.



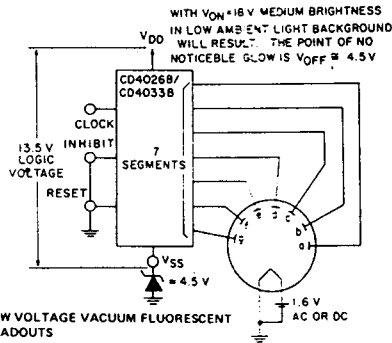
NEON READOUT (NIXIE TUBE^A)

- Alco Electronics - MG19
- Burroughs - B5971, B7971, B8971

Model	V_T (Vdc)	mA Segment
Alco MG19	180	0.5
Burroughs B5971	170	3
Burroughs B7971, B8971	170	6

^A (Trademark) Burroughs Corp.
TRANSISTOR CHARACTERISTICS
 Leakage with transistor cutoff - 0.05 mA
 $V_{(BRICER)} > V_T$
 $\beta_{dc} (\text{min.}) \geq 30$

92CS-31710



LOW VOLTAGE VACUUM FLUORESCENT READOUTS

- Tung Sol DIGIVAC S/G : Type DT1704A or DT1705C
 - Nippon Electric (NEC): Type DG12E or LD515
- TUBE REQUIREMENTS:** 100 to 300 μA segment at tube voltages of 12 V to 25 V depending on required brightness. Filament requirement 45 mA at 1.6 V, ac or dc.

† (Trademark) Wagner Electric Co.

92CS-31711