



PART NAME

# EXTRUDED ALUMINUM IP65 PCB ENCLOSURES

PART No.

EXN-23364 (SEE TABULATION FOR COMBINATIONS)

REVISION DATE

10-23-15

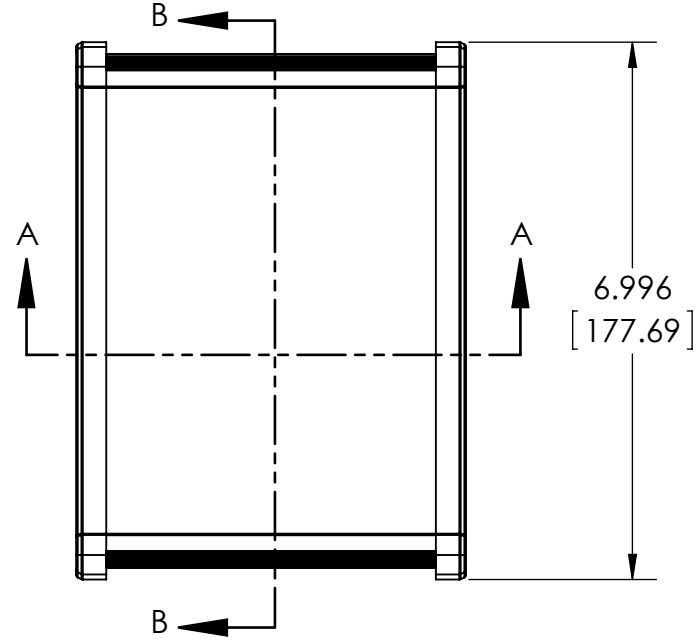
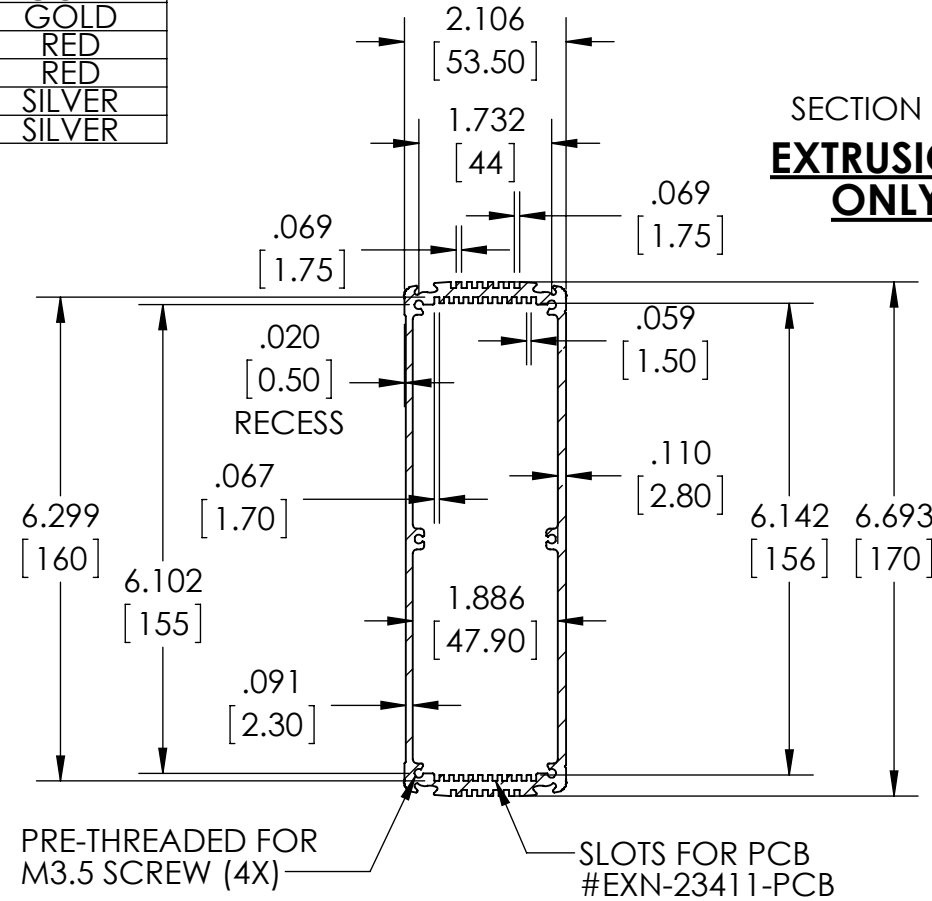
PART NUMBER	ALUM. COVER	PLASTIC COVER	BODY COLOR
EXN-23364-BK	BLACK	-	BLACK
EXN-23364-BKP	-	BLACK	BLACK
EXN-23364-BL	BLACK	-	BLUE
EXN-23364-BLP	-	TRANSLUCENT BLUE	BLUE
EXN-23364-GD	BLACK	-	GOLD
EXN-23364-GDP	-	CLEAR	GOLD
EXN-23364-RD	BLACK	-	RED
EXN-23364-RDP	-	IR RED	RED
EXN-23364-SV	BLACK	-	SILVER
EXN-23364-SVP	-	CLEAR	SILVER

MATERIAL: ALUMINUM EXTRUSION BODY PROVIDED WITH ALUMINUM COVER (2X) AND GASKETS OR POLYCARBONATE COVER (2X) AND GASKETS - NOT ASSEMBLED

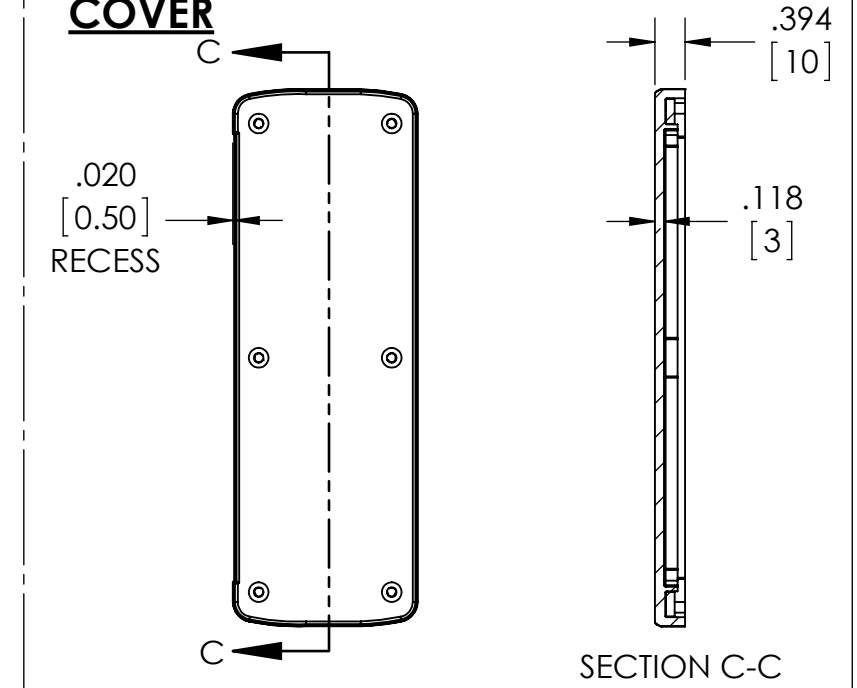
DIMENSIONS ARE INCH[MM]

**DRAWING FOR REFERENCE**  
WE RESERVE THE RIGHT TO MAKE CHANGES TO OUR STANDARD PRODUCTS. PLEASE CONSULT WITH BUD INDUSTRIES PRIOR TO USING THIS DRAWING FOR DESIGN PURPOSE.

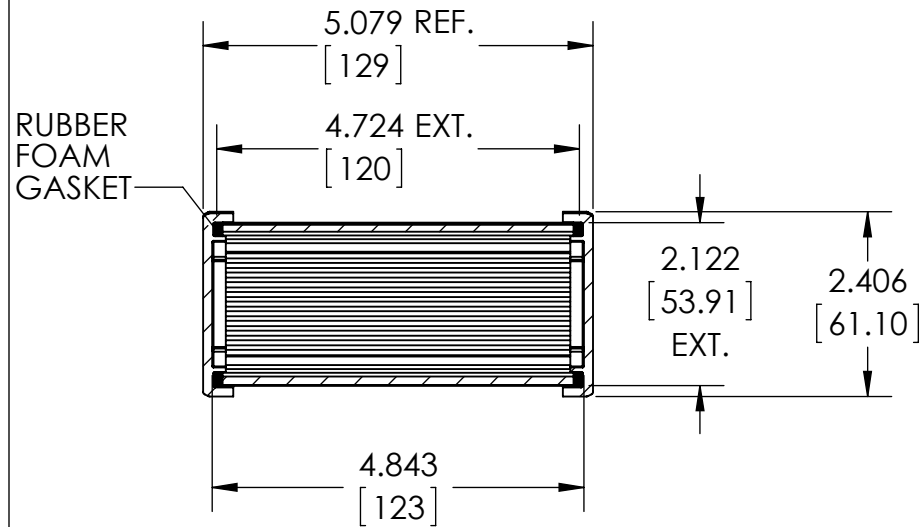
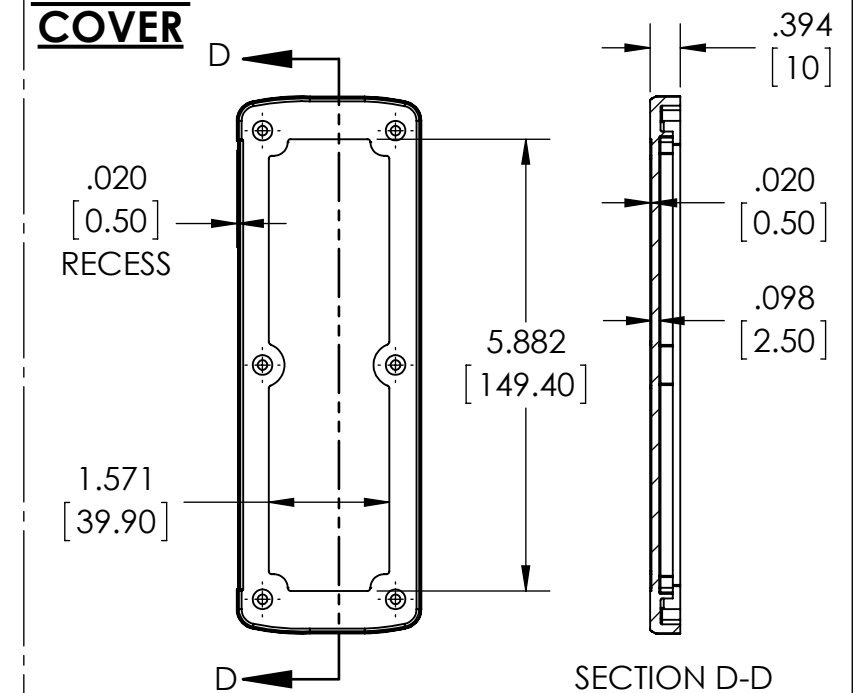
### SECTION B-B EXTRUSION ONLY



### DIE CAST ALUMINUM COVER

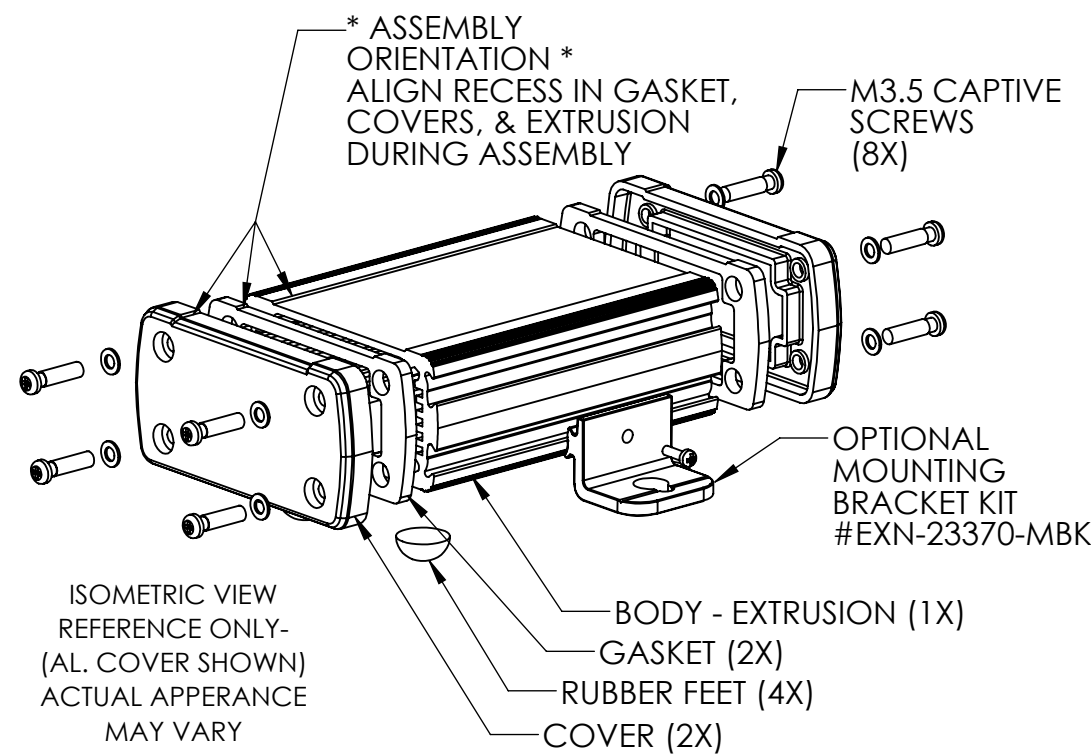


### PLASTIC COVER



### SECTION A-A SCALE 1 : 2.5

DIMENSIONS MAY VARY DEPENDING ON THE COMPRESSION OF THE GASKETS



ISOMETRIC VIEW  
REFERENCE ONLY-  
(AL. COVER SHOWN)  
ACTUAL APPEARANCE  
MAY VARY