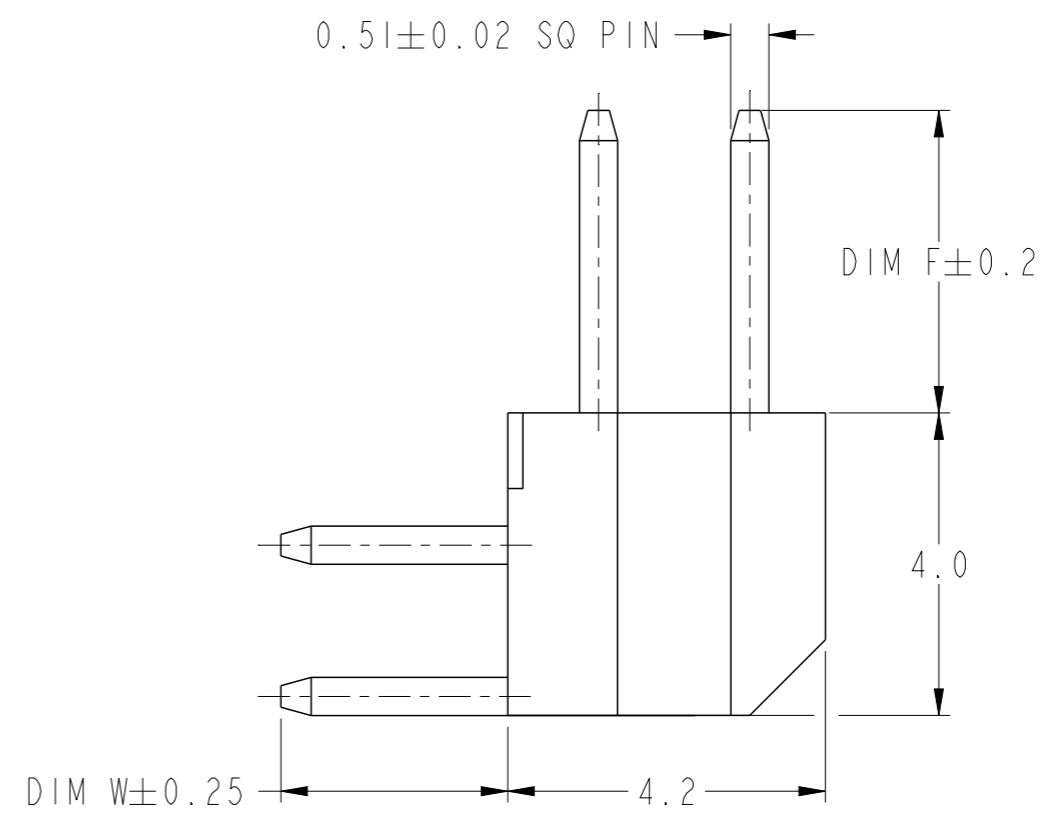


RECOMMENDED MOUNTING HOLE LAYOUT



spec ref	-	dr	wcadmin, wcadm	2010/11/01	projection	MM	size	A3	scale	10:1
tolerance std	ISO 406 ISO 1101	eng	Yuan-Yuan Bao	2020/10/26			ecn no	ELX-N-38731-1		
TOLERANCES UNLESS OTHERWISE SPECIFIED		chr	-	-			rel level	Released		
surface	linear	appr	Tim Yao	2020/12/24	product family	MINITEK		dwg no	90516	
ISO 1302	angular			Amphenol FCI MINITEK II R/A HEADER HTP	cat. no.	-	Product - Customer Drw	rev	U	
								sheet 1 of 3		

1	2		3				4	
PRODUCT NO.	POS	POL. POS	DIM X	DIM Y	DIM F	DIM W	PLATING	HSG COLOR
90516-001	2X22	20	42	44	4.0	2.5	0.38µm MIN GXT	NATURAL
-002	2X3	6	4	6	4.0	3.0	0.76µm MIN GXT	NATURAL
-003	2X10	8	18	20	4.0	3.0	0.76µm MIN GXT	NATURAL
-004	2X12	8	22	24	4.0	3.0	0.76µm MIN GXT	NATURAL
-005	2X6	8	10	12	4.0	3.0	0.76µm MIN GXT	NATURAL
-006	2X10	3	18	20	4.0	2.45	0.38µm MIN GXT	NATURAL
-007	2X6	-	10	12	3.4	2.5	0.76µm MIN GXT	NATURAL
-008	2X6	2	10	12	4.0	2.5	0.76µm MIN GXT	NATURAL
-009	2X3	-	4	6	4.0	2.5	0.76µm MIN GXT	NATURAL
-010	2X10	-	18	20	4.0	2.5	0.76µm MIN GXT	NATURAL
-011	2X2	3	2	4	4.0	2.5	0.76µm MIN GXT	NATURAL
-012	2X2	1	2	4	4.0	3.0	0.76µm MIN GXT	NATURAL
-013	2X5	3,8	8	10	4.0	3.0	0.76µm MIN GXT	NATURAL
-014	2X15	20	28	30	4.0	3.0	0.38µm MIN Au	NATURAL
-015	2X3	-	4	6	4.0	2.0	0.2µm MIN Au	NATURAL
-016	2X15	-	28	30	4.0	2.0	0.2µm MIN Au	NATURAL
-017	2X4	-	6	8	4.0	2.5	0.76µm MIN Au	NATURAL
-018	2X5	-	8	10	4.0	2.5	0.76µm MIN Au	NATURAL
-019	2X23	5,6,11,12,17,18,23,24 29,30,35,36,41,42	44	46	4.0	3.0	0.76µm MIN GXT	NATURAL
-020	2X3	4	4	6	4.0	2.5	0.76µm MIN Au	NATURAL
-021	2X4	4	6	8	4.0	2.5	0.76µm MIN Au	NATURAL
-022	2X5	5,6	8	10	4.0	3.0	0.76µm MIN GXT	NATURAL
-023	2X7	8	12	14	4.0	3.0	0.76µm MIN GXT	NATURAL
-024	2X7	8	12	14	4.0	3.0	0.38µm MIN GXT	NATURAL
-025	2X20	-	38	40	1.8	2.5	0.76µm MIN GXT	BLACK

Amphenol FCI

© 2016 AFCI

dr	wcadmin, wcadm	2010/11/01			size	A3	scale	10:1
eng	Yuan-Yuan Bao	2020/10/26			ecn no	ELX-N-38731-1		
chr	-	-			rel level	Released		
appr	Tim Yao	2020/12/24			product family	MINITEK		
		MINITEK II		dwg no	90516	rev	U	
		cat. no.	-	Product - Customer Drw		sheet 2 of 3		



1			2				3		4
PRODUCT NO.	POS	POL. POS	DIM X	DIM Y	DIM F	DIM W	PLATING	HSG COLOR	
90516-026	2X22	34	42	44	4.0	2.5	0.38µm MIN Au	BLACK	
-027	2X22	34	42	44	4.0	3.0	0.38µm MIN Au	BLACK	

NOTES

1. MATERIAL:

BODY : HIGH TEMPERATURE THERMOPLASTIC, UL 94V-0 COLOR REFER TO TABLE.

PIN : COPPER ALLOY

2. GENERAL TOLERANCE ±0.25

③ POLARISED POSITION REFER TO TABLE.

④ DIM 1.0 APPLIES TO MOLDED SIDE(S) ONLY. IF SIDE(S) ARE SAW, DIM 0.5 MIN APPLIES.

⑤ RECESS APPLIES TO MOLDED SIDE(S) ONLY.

6. PRODUCT DESCRIPTION CODE :

XXXXX-XXXLF



⑦ P/N:90516-XXXLF IS SAME AS P/N:90516-XXX. THE SUFFIX 'LF' IS ADDED JUST FOR EASY LEAD FREE IDENTIFICATION.

8. THE HOUSING WILL WITHSTAND EXPOSURE TO 255°C PEAK TEMPERATURE FOR 10 SECONDS IN A CONVECTION, INFRA-RED OR VAPOR PHASE REFLOW OVEN.

9. THE HOUSING WILL WITHSTAND EXPOSURE TO 260°C PEAK TEMPERATURE FOR 10 SECONDS IN A WAVE SOLDER APPLICATION WITH A 1.57MM MINIMUM THICK CIRCUIT BOARD.

10. THIS PRODUCT MEETS EUROPEAN UNION DIRECTIVES AND OTHER COUNTRY REGULATIONS AS DESCRIBED IN GS-22-008.

△ 11. A △ SYMBOL WILL BE NEXT TO ANY DIMENSION, VIEW OR NOTE WHICH HAS BEEN MODIFIED WITH THE CURRENT DRAWING REVISION.



dr	wcadmin, wcadm	2010/11/01	projection	MM	size	A3	scale	10:1
eng	Yuan-Yuan Bao	2020/10/26			ecn no	ELX-N-38731-1		
chr	-	-	product family	MINITEK	rel level	Released		
appr	Tim Yao	2020/12/24			dwg no	90516	rev	U
Amphenol FCI		MINITEK II			Product - Customer Drw		sheet 3 of 3	
		cat. no.	-					

Amphenol FCI

© 2016 AFCI