

**Material and Finish**

Shell: Steel, Nickel plated  
 Insulator: PBT thermoplastic with glass-fiber reinforcement, UL94V-0 rated  
 Color: Blue

Contact Material:  
 Socket - Phosphor Bronze

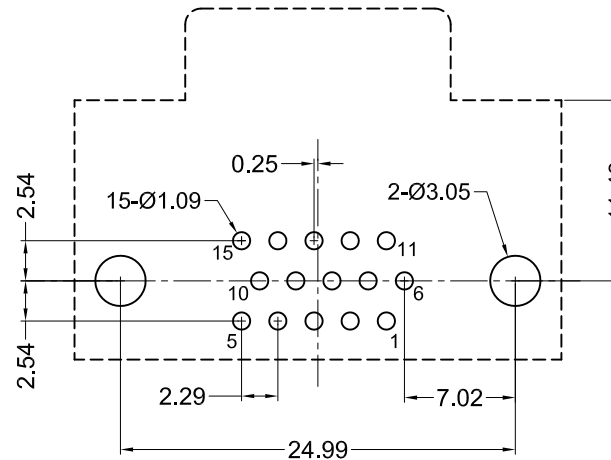
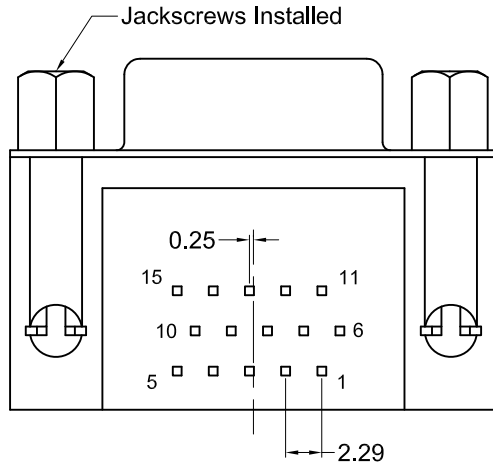
Contact Plating Options:  
 Standard: gold flash on mating end, tin on termination end, nickel underplate on entire contact

15 Option: 15u" gold on mating end, tin on termination end, nickel underplate on entire contact

30 Option: 30u" gold on mating end, tin on termination end, nickel underplate on entire contact

**Electrical Specifications**

Rated Current: 1.5A  
 Rated Voltage: 29Vac  
 Insulation Resistance: more than 1000 megohms at 500V DC  
 Contact Resistance: 13 milliohms max.  
 Dielectric Withstanding Voltage: 1000V for 1 minute  
 Operating Temperature: -55°C to +75°C



Recommended PCB Layout (Bottom View)

Part Number	Contact Area Plating Finish
K66X-E15S-NJ-VESA	Gold Flash (standard)
K66X-E15S-NJ15VESA	15u" Gold (-15 option)
K66X-E15S-NJ30VESA	30u" Gold (-30 option)

⚠ Contact #9 Recessed 0.050" [1.27mm]  
 Shorter contact allows last mate/  
 first break on 5V supply voltage

⚠ Blue body color signifies 5v  
 capability and full feature  
 AccessBus capability

Tolerances
X.X ± 0.25
X.XX ± 0.15
Unless Stated Otherwise



REV.	DATE	DESCRIPTION	REV. BY	CHK. BY	DRAWN BY	DATE
A4	03/10/08	ECO # 07-049	S. Vien	H. Ma	R. Aguirre	01/17/06
A5	12/11/08	ECO # 08-084	S. Vien	H. Ma		
A6	06/26/14	ECO #14-027	H. MA	P. DalCanto	UNITS	mm
A7	11/5/14	Correct color	H. MA	C. Furumasu		
A8	03/08/16	ECO#15-019	H. MA	W. Cook	mm	
A9	12/31/17	ECO#17-028	G. Serrato	C. Furumasu		

**K66X-E15S-NJ-VESA**

Right Angle, HD, D-Sub, RoHS Compliant

Jackscrews, 15 Pos. Female, VESA Standard

