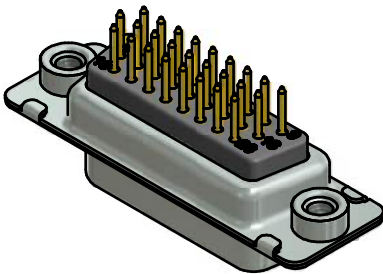
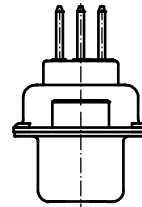
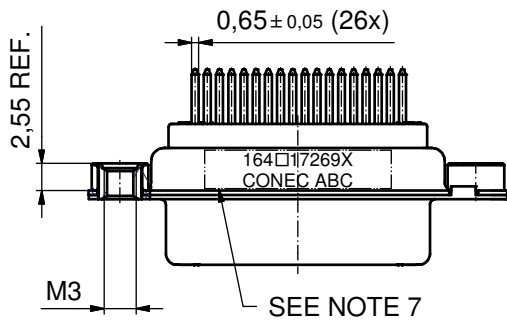
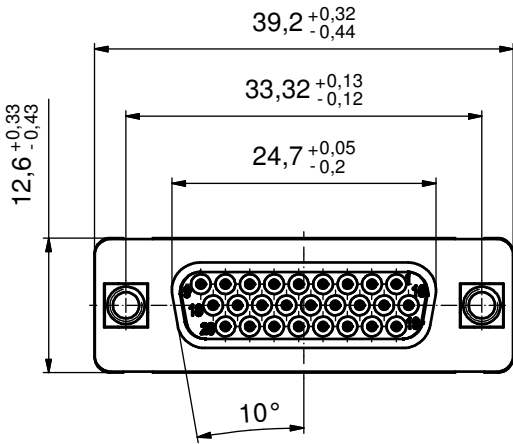
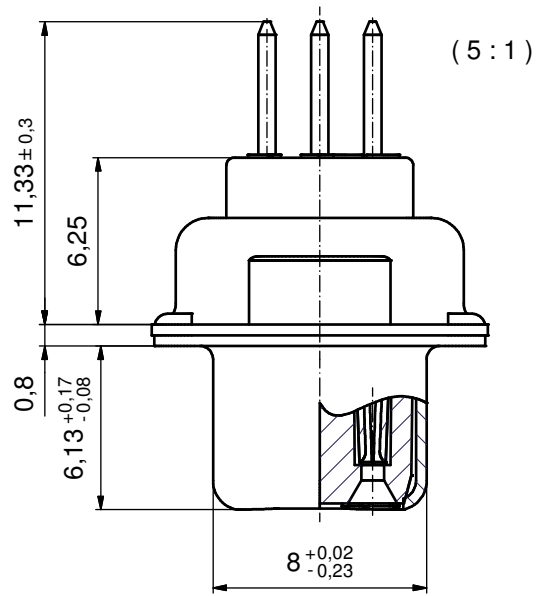


P.C.B. HOLE DRILLINGS
(P.C.B. TOP SIDE)



NOTES:

- METALSHELLS: STEEL; min. 315µm TIN over 40-80µm NICKEL
- INSULATORS: PBT GF UL 94 V-0, BLACK
- CONTACTS: COPPER ALLOY; PLATING (SEE PART NO.):
 PLEASE ADD A for GOLD FLASH over NICKEL (PREFERRED TYPE)
 PLEASE ADD B 20µm HARD GOLD over min. 50µm NICKEL
 PLEASE ADD C 30µm HARD GOLD over min. 50µm NICKEL
- THREADED INSERTS: COPPER ALLOY; min. 200µm TIN over 80µm NICKEL
- COLLARS: COPPER ALLOY; min. 200µm TIN over 80µm NICKEL
- MAXIMUM TORQUE VALUE FOR THREAD: 6 in.LB
- CONNECTOR IS PART MARKED: 164□17269X CONEC ABC (see note 3)

Directive 2002/95/EC RoHS compliant

THIS DRAWING MAY NOT BE COPIED OR REPRODUCED IN ANY WAY, AND MAY NOT BE PASSED ON TO A THIRD PARTY WITHOUT WRITTEN PERMISSION. OWNERSHIP AND COPYRIGHT OF CONEC GmbH DO NOT ALTER CAD DRAWING BY HAND	tolerance		dim. in mm	scale: 2:1 (5:1)	
				material: SEE NOTES	
	drawn	09.10.12	Henneboel	title: D-SUB HD FEMALE 26pos. SOLDER PIN STRAIGHT threaded insert	
	appd.	09.10.12	Fischer		
	norm				
	d-old				
	rev.	a	Original	dwg no: 16K1A3118	
description			part no: 164□17269X (see note 3)		