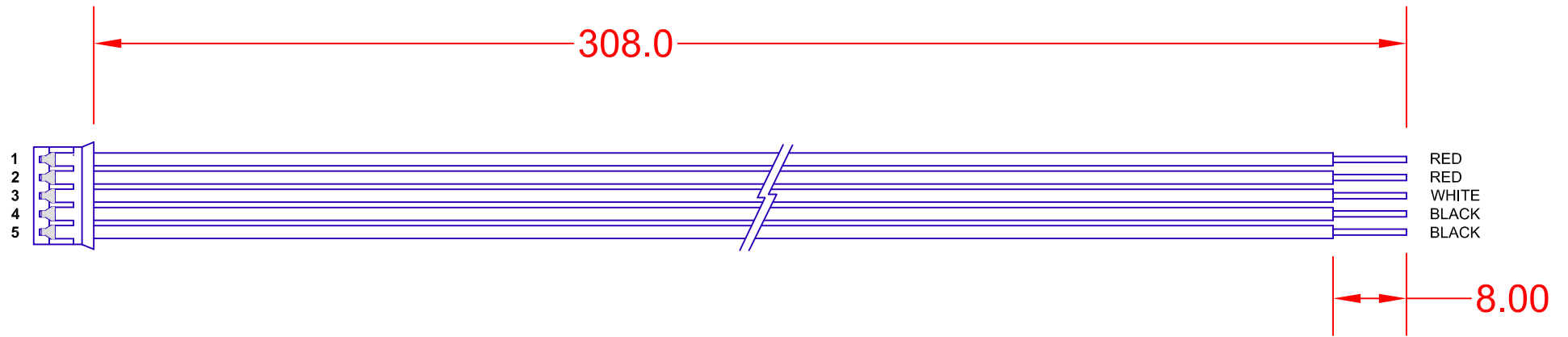


| REV. | DESCRIPTION/ECO NO. | DATE |
|------|----------------------------------|---------|
| | RELEASED & CANCEL BXA-12580/CONN | 1/11/02 |
| A | DRAWING IN CAD | 7/16/02 |
| B | LENGTH 300.0 TO 308.0 | 1/4/07 |
| C | ADD RoHS NOTE | 2/13/07 |
| | | |
| | | |
| | | |



| PIN | WIRE TYPE | AWG | COLOR |
|-----|-----------|-----|-------|
| 1 | UL 1007LF | 24 | RED |
| 2 | UL 1007LF | 24 | RED |
| 3 | UL 1007LF | 24 | WHT |
| 4 | UL 1007LF | 24 | BLK |
| 5 | UL 1007LF | 24 | BLK |

JKL PART NO.: BXC-10605

NOTES:

1. HOUSING PHR-5 (JST)
2. CONTACT SPH-002T-P0.5 (JST)
3. RoHS COMPLIANCE
(CONTACT JKL FOR RoHS LOT IDENTIFICATION)

| | | | | | |
|---|--|--|------------------------------|----------------------------------|---|
| <p>METRIC THIRD ANGLE PROJECTION</p> | <p>DIMENSIONS ARE IN MILLIMETERS</p> <p>TOLERANCE UNLESS OTHERWISE SPECIFIED</p> <p>1 PL +/- 4.0</p> <p>2 PL +/- 0.50</p> <p>ANGLE +/- 0</p> | <p>JKL COMPONENTS CORPORATION</p> | | | |
| | <p>TITLE INPUT CONNECTOR HARNESS</p> | | | | |
| <p>DRAWN BY L. WENGSTROM</p> | <p>APPV'D BY L.R.</p> | <p>DATE 2/13/07</p> | <p>SIZE A</p> | <p>FSCM NO. 55335</p> | <p>DRAWING NO. BXC-10605</p> |
| <p>- CAD DRAWING - MANUAL REVISIONS NOT PERMITTED</p> | | | <p>SCALE NONE</p> | <p>RELEASED DATE 1/11/02</p> | <p>REVISION DATE 2/13/07</p> |
| | | | | <p>REV. NO. C</p> | <p>SHEET 1 OF 1</p> |