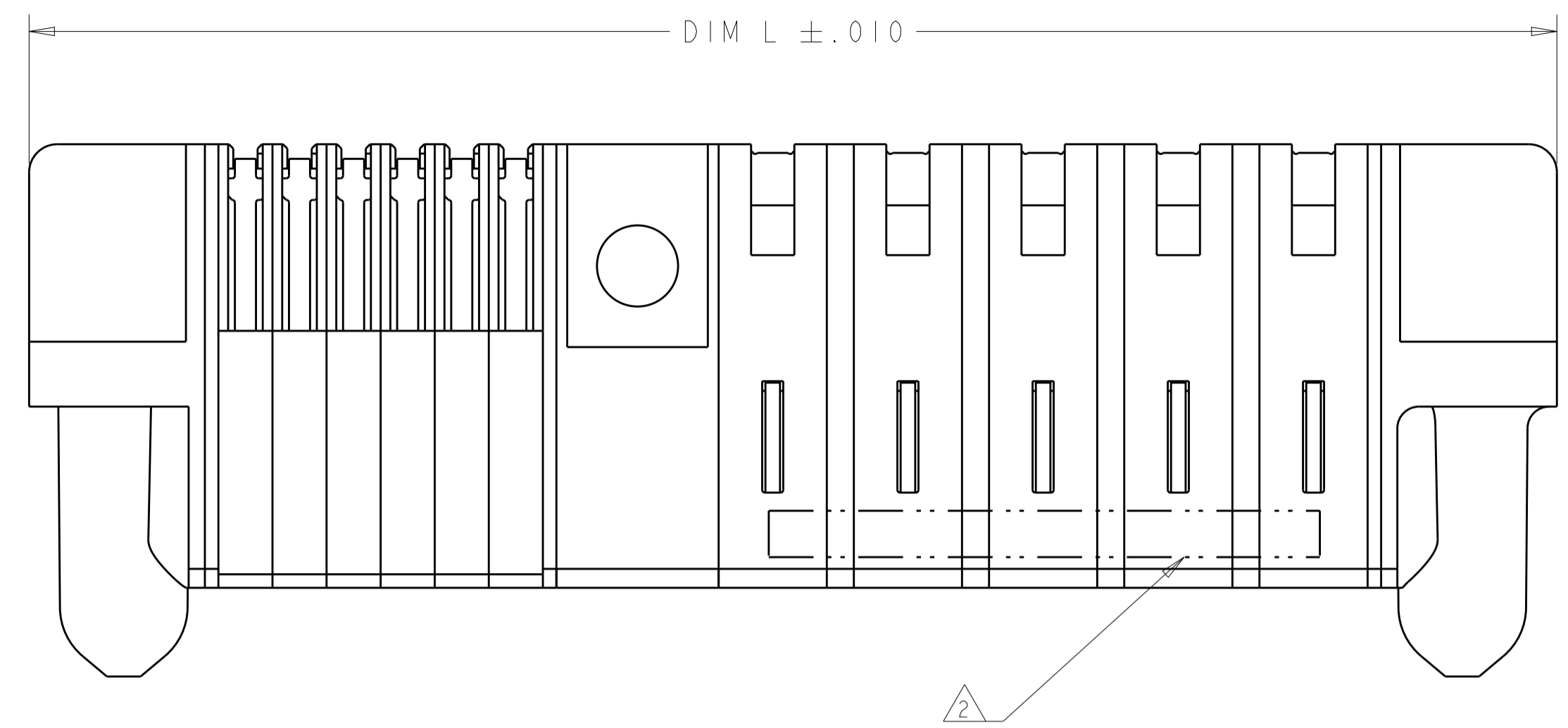
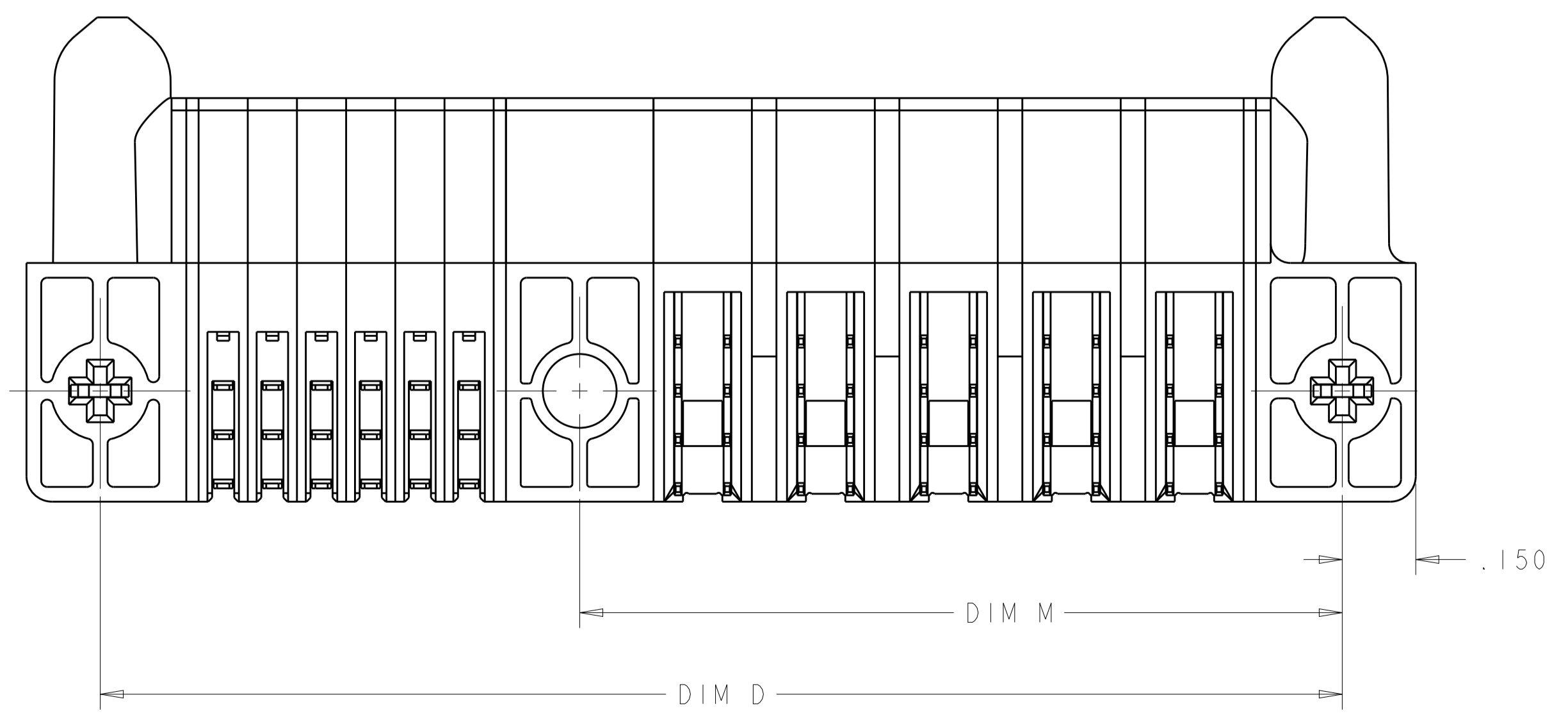
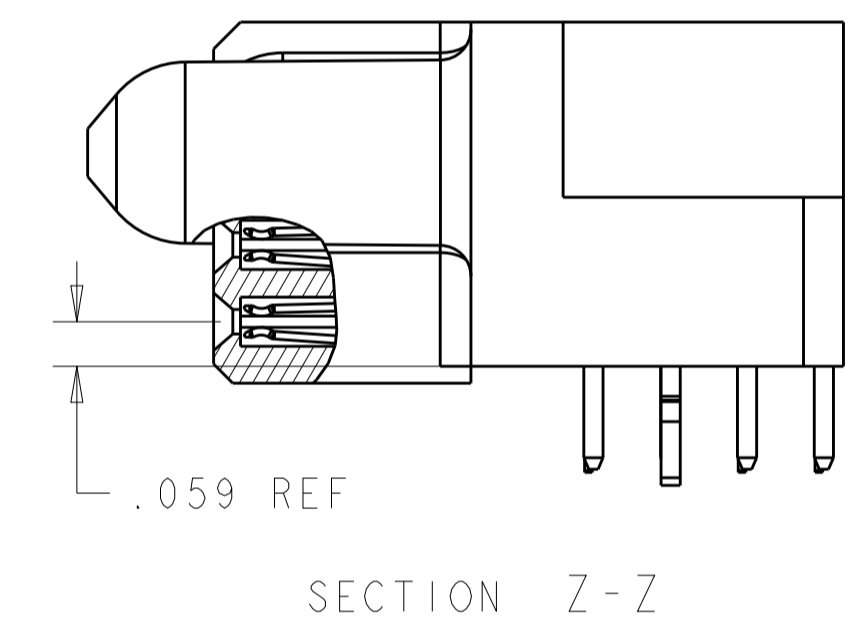
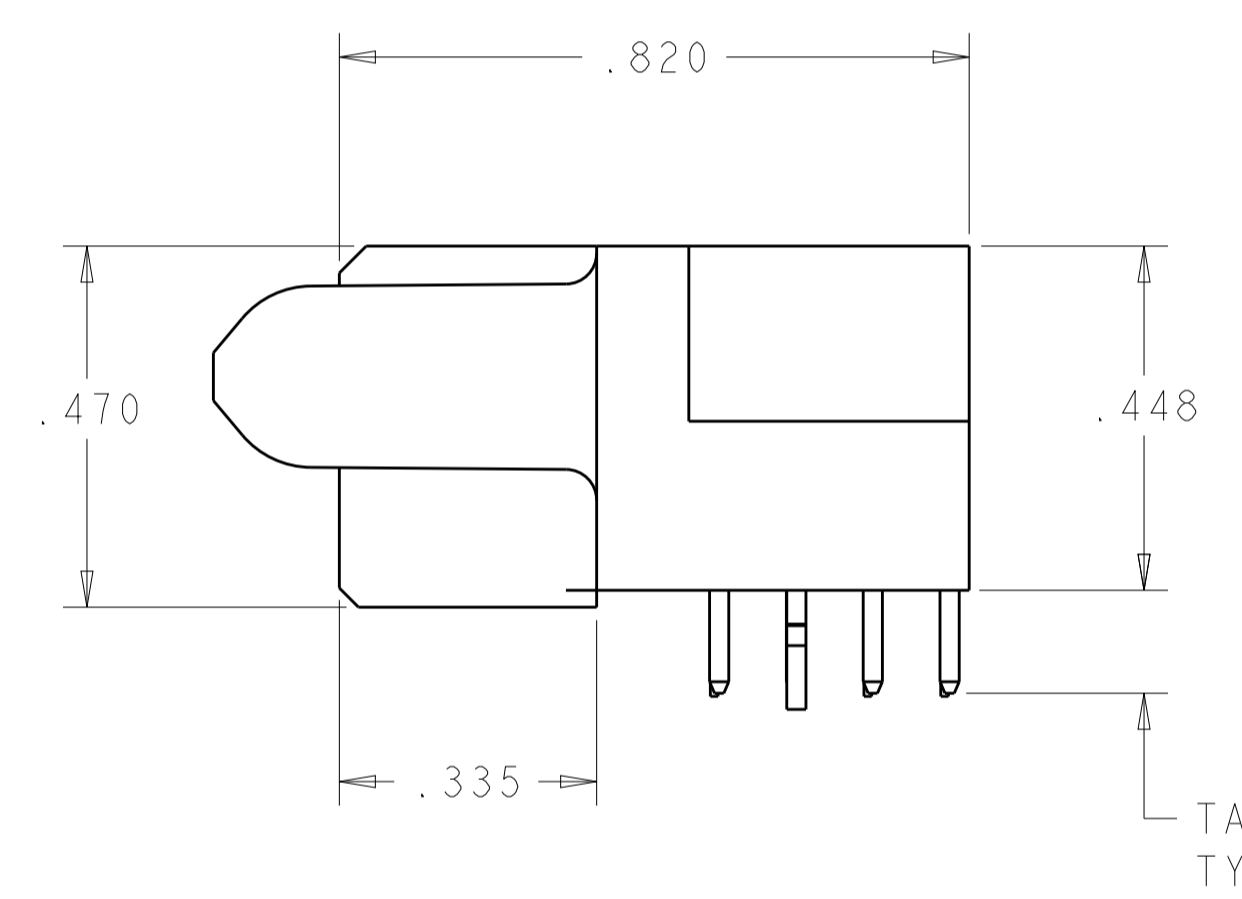
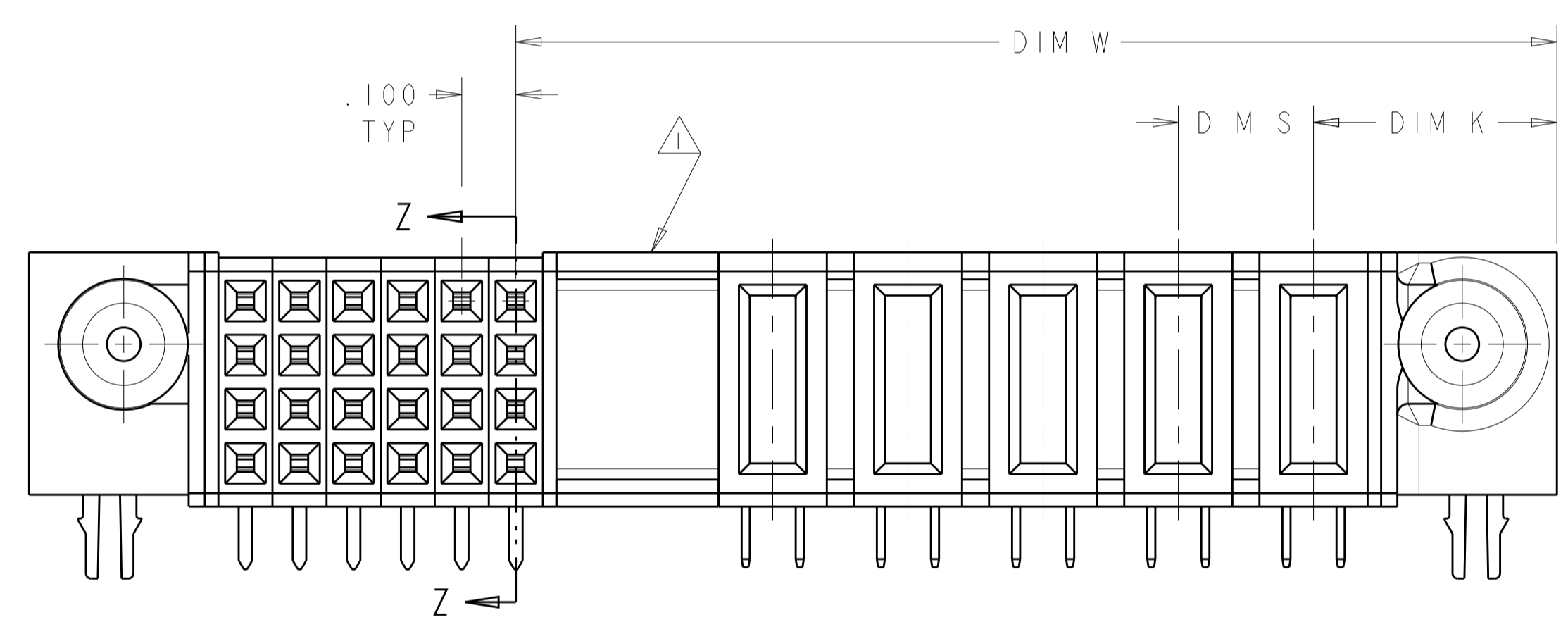


| LOC | | DIST | | REVISIONS | | | |
|-----|----|------|-----|--------------------------|------------|-----|------|
| ES | 00 | P | LTN | DESCRIPTION | DATE | DWN | APVD |
| | | C | | REV PER ECR-08-015044 | 13JUNE2008 | TY | SY |
| | | CI | | ADDED THE DASH NUMBER -5 | 19MAR2012 | ML | SZ |



- 1 OPTIONAL CENTER MODULE, WITH Ø.150 THRU HOLE OR HOLD DOWN FEATURE.
- 2 "AMP", TRADEMARK, PART NUMBER AND DATE CODE TO BE MARKED IN AREA SHOWN
- 3 MATERIAL: HOUSING - GLASS FILLED HIGH TEMP THERMO PLASTIC, BLACK, UL94 V-O
 SIGNAL CONTACT - HIGH CONDUCTIVITY COPPER ALLOY
 POWER CONTACT - HIGH CONDUCTIVITY COPPER ALLOY
- 4 CONTACT PLATING: NOBLE METAL PLATING ON CONTACT FUNCTIONAL AREA OF POWER AND SIGNAL CONTACTS
- 5 MECHANICAL CONNECTOR KEEP OUT ZONE.
- 6 DATUM AND BASIC DIMENSIONS ESTABLISHED BY CUSTOMER.
- 7 PCB - ALL HOLE DIAMETERS ARE FINISHED HOLE SIZES.
- 8 PCB - .0453 ±.0010 DRILLED HOLES PLATED WITH .0003 MIN Sn OVER .001 TO .003 CU PLATING TO ACHIEVE A .040±.003 DIA HOLE.
- 9 VARIABLE DIMENSION SHOW ON VIEW (SHEET 3).



| 3.125 | 3.625 | - | 3.925 | .450 | 5ACP+6HDP + 20S | 6450172-5 | |
|-------|-------|-------|-------|-------|-----------------|-------------|-------------|
| .200 | 1.625 | 2.200 | - | 2.500 | 6P+24S | 6450172-4 | |
| 2.675 | 3.275 | - | 3.575 | .525 | 3ACP + 6P + 24S | 6450172-3 | |
| .250 | 2.375 | 3.050 | - | 3.350 | 8P+28S | 6450172-2 | |
| .250 | 3.875 | 4.650 | - | 4.950 | 14P+32S | 6450172-1 | |
| DIM S | DIM W | DIM D | DIM M | DIM L | DIM K | DESCRIPTION | PART NUMBER |

THIS DRAWING IS A CONTROLLED DOCUMENT.

DWN: R. GRZYBOWSKI 22FEB05
 CHK: M. PERCHERKE 22FEB05

TE CONNECTIVITY

RIGHT ANGLE RECEPTACLE ASSEMBLY WITH GUIDES, SOLDER TYPE MULTI-BEAM XL

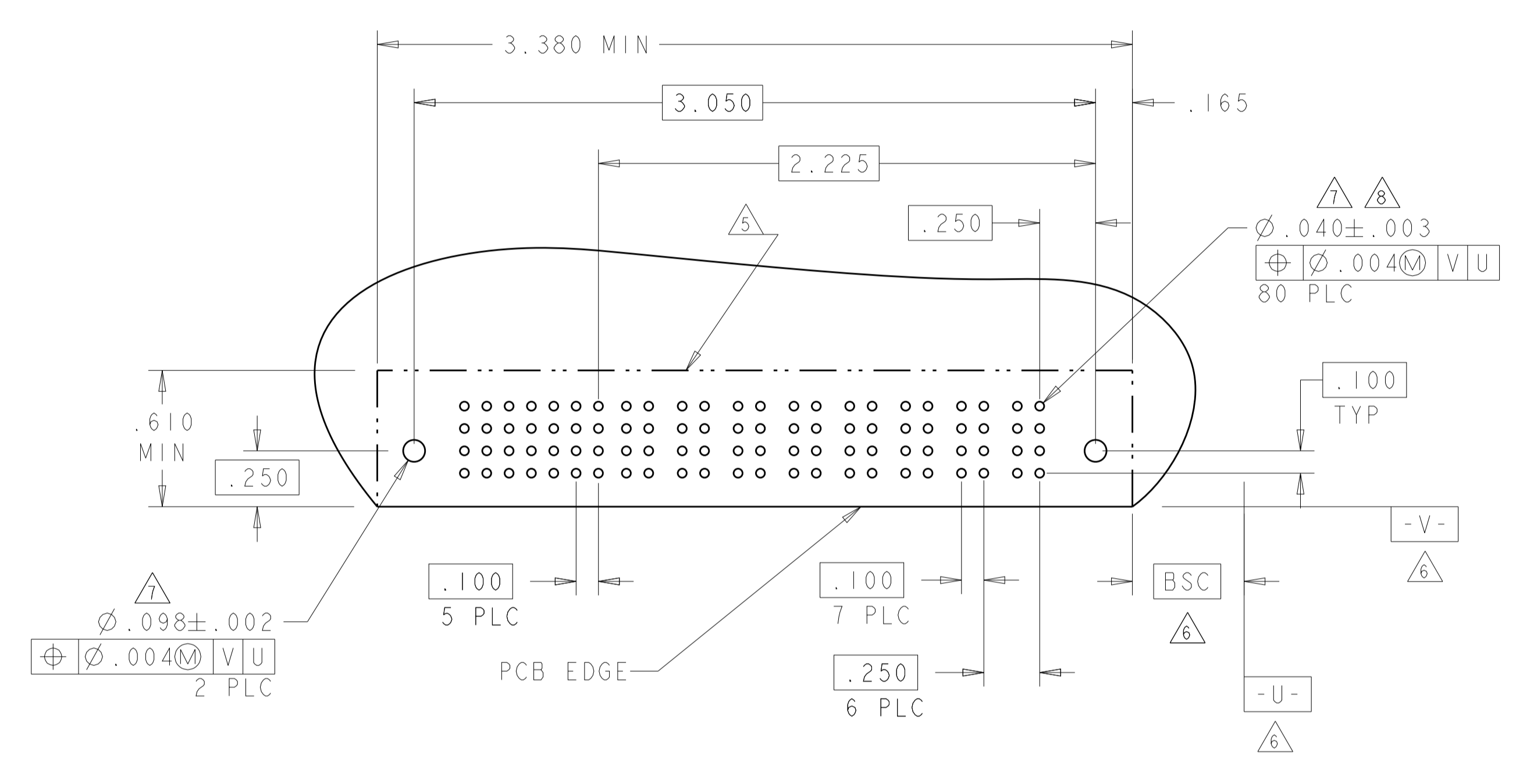
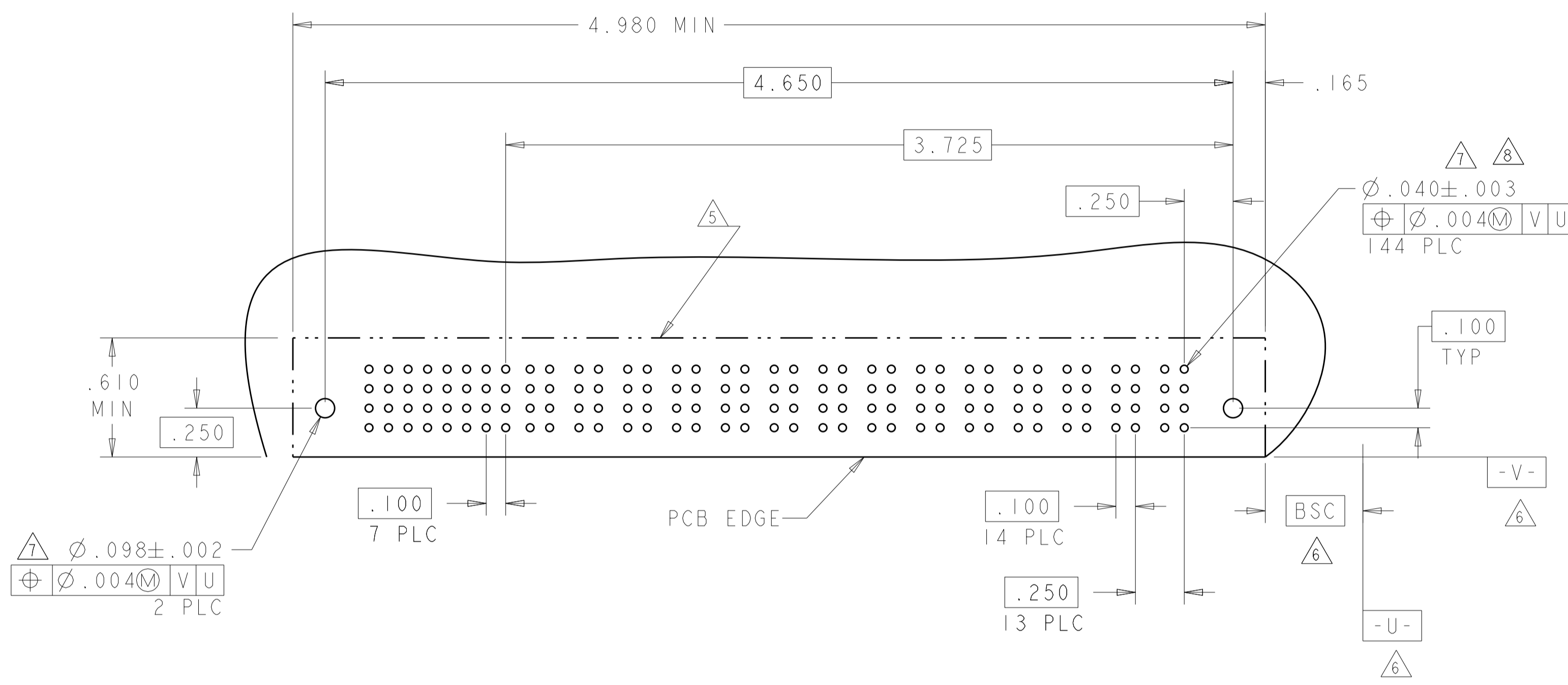
SIZE: A1 CAGE CODE: 6450172 DRAWING NO: 108-1973

SCALE: 1:1 SHEET 1 OF 4 REV C1

| LOC | DIST | REV | DATE | BY | APPV |
|-----------|------|-----|-------------|------|------|
| ES | 00 | | | | |
| REVISIONS | | | DESCRIPTION | DATE | BY |
| | | | SEE SHEET 1 | | |

| PART NUMBER | ROWS | SIGNAL | | | | | | | | POWER | | | | | | | | | | | | | | | |
|-------------|------------------|--------|---|---|---|---|---|---|---|-------|-----|-----|-----|-----|----|----|----|----|----|----|----|----|----|----|--|
| | | 8 | 7 | 6 | 5 | 4 | 3 | 2 | 1 | PI4 | PI3 | PI2 | PI1 | PI0 | P9 | P8 | P7 | P6 | P5 | P4 | P3 | P2 | PI | | |
| 6450172-1 | D C B A | H | H | H | H | H | H | H | H | RM | RA | RM | RA | RM | RA | RM | RA | RM | RA | RM | RA | RM | RA | | |
| | | G | G | G | G | G | G | G | G | | | | | | | | | | | | | | | | |
| | | F | F | F | F | F | F | F | F | | | | | | | | | | | | | | | | |
| | | E | E | E | E | E | E | E | E | | | | | | | | | | | | | | | | |
| 14P + 32S | | HD | | | | | | | | | | | | | | | | | | | | | | HD | |

| PART NUMBER | ROWS | SIGNAL | | | | | | | | POWER | | | | | | | | | | |
|-------------|------------------|--------|---|---|---|---|---|---|----|-------|----|----|----|----|----|----|--|--|--|--|
| | | 7 | 6 | 5 | 4 | 3 | 2 | 1 | P8 | P7 | P6 | P5 | P4 | P3 | P2 | PI | | | | |
| 6450172-2 | D C B A | H | H | H | H | H | H | H | RA | RM | RM | RA | RM | RA | RM | RA | | | | |
| | | G | G | G | G | G | G | G | | | | | | | | | | | | |
| | | F | F | F | F | F | F | F | | | | | | | | | | | | |
| | | E | E | E | E | E | E | E | | | | | | | | | | | | |
| 8P + 28S | | HD | | | | | | | | | | | | | HD | | | | | |



| CODE | DESCRIPTION | ROW |
|------|-------------------------|-----|
| RM | STD POWER | - |
| RA | MFBL POWER | - |
| L | .090 TAIL LENGTH SIGNAL | D |
| K | .090 TAIL LENGTH SIGNAL | C |
| J | .090 TAIL LENGTH SIGNAL | B |
| I | .090 TAIL LENGTH SIGNAL | A |
| H | .135 TAIL LENGTH SIGNAL | D |
| G | .135 TAIL LENGTH SIGNAL | C |
| F | .135 TAIL LENGTH SIGNAL | B |
| E | .135 TAIL LENGTH SIGNAL | A |

CONTACT TABLE

THIS DRAWING IS A CONTROLLED DOCUMENT.

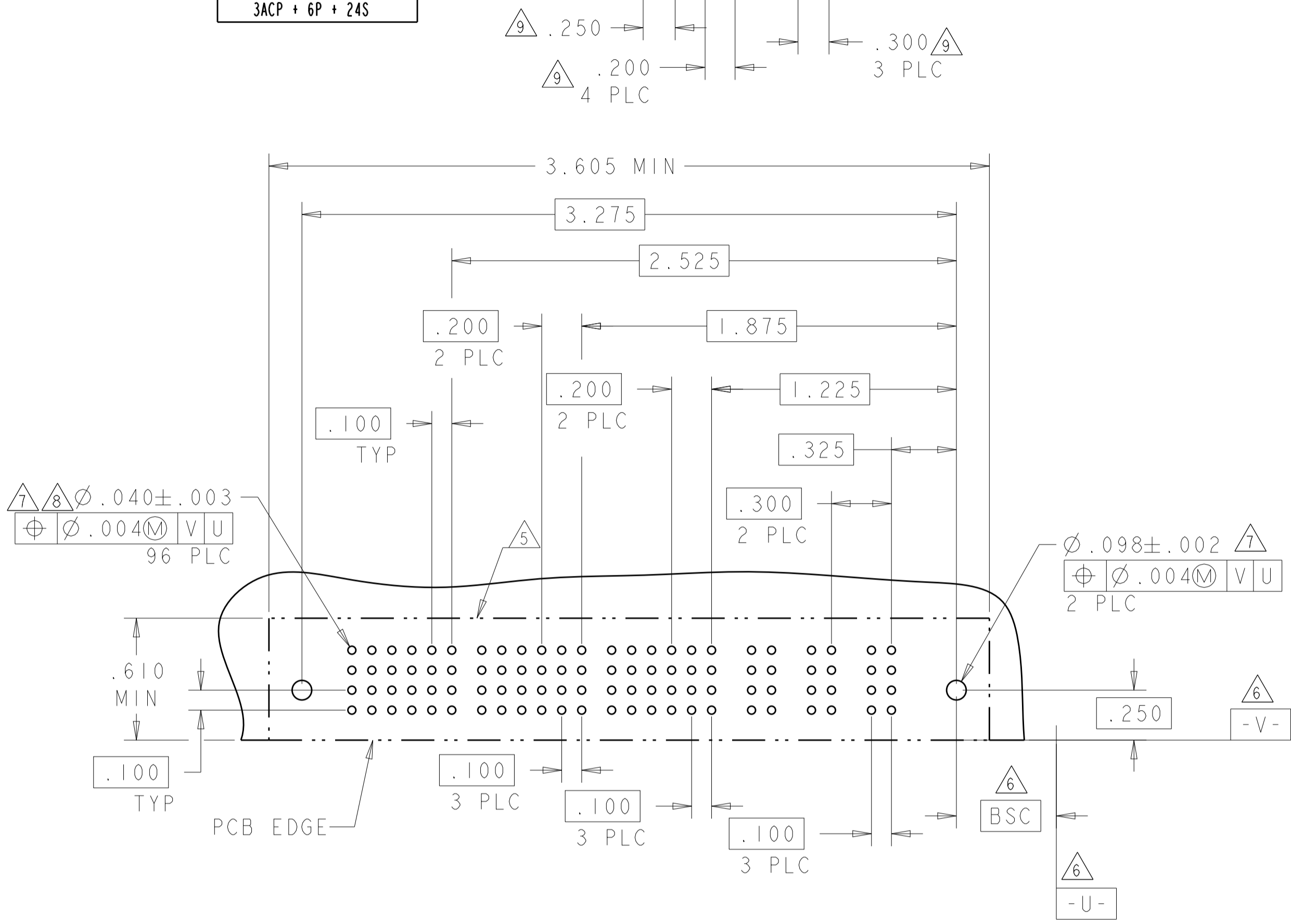
DIMENSIONS: INCHES
 TOLERANCES UNLESS OTHERWISE SPECIFIED:
 0 PLC ±.
 1 PLC ±.01
 2 PLC ±.01
 3 PLC ±.005
 4 PLC ±.002
 ANGLES ±.020
 FINISH

DWG: R.GRZYBOWSKI 22FEB05
 CHK: M.PERCHEKKE 22FEB05
 APVD: M.PERCHEKKE
 PRODUCT SPEC: 108-1973
 APPLICATION SPEC: 114-13038
 WEIGHT: -
 CUSTOMER DRAWING

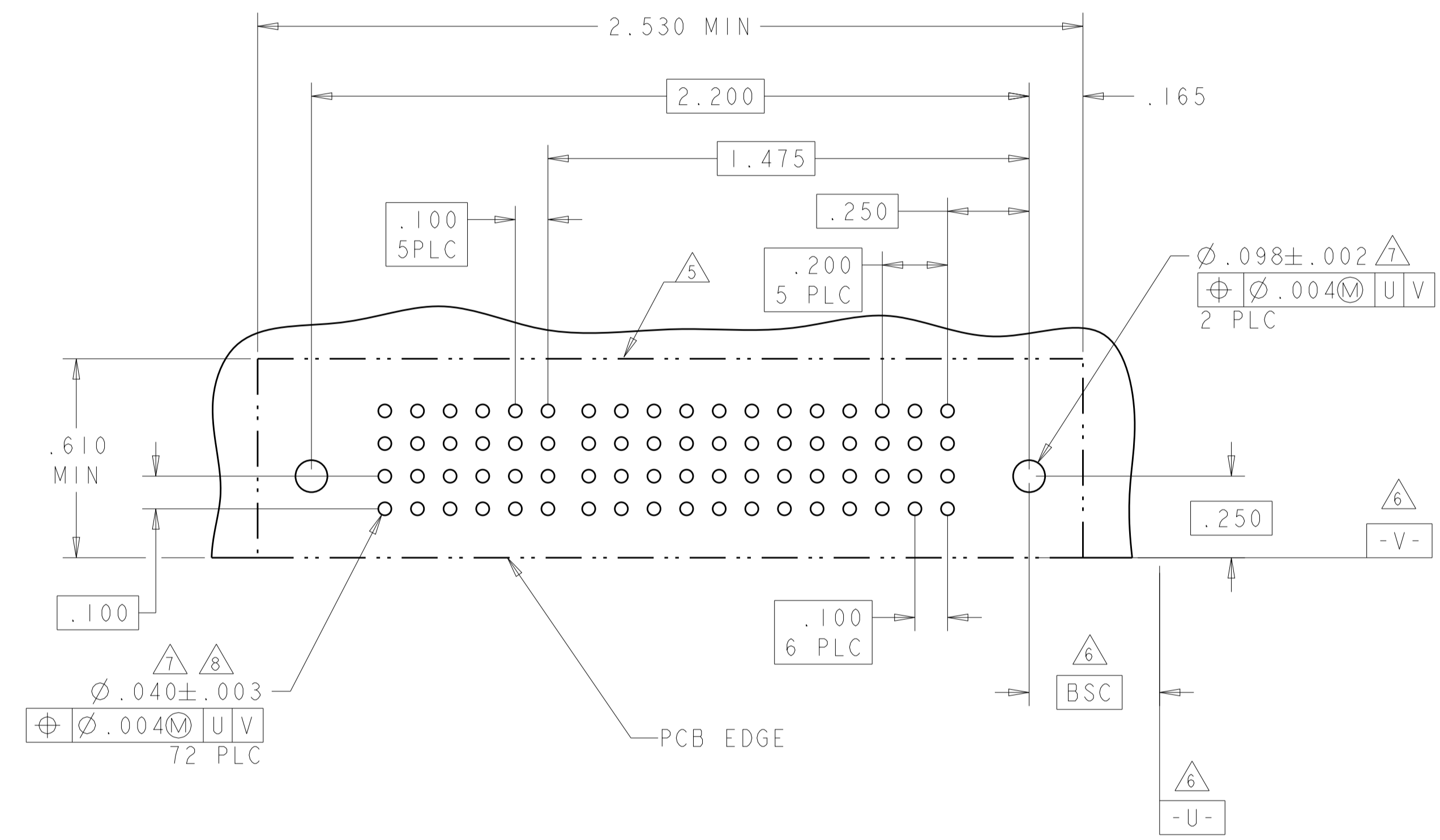
STE TE Connectivity
 NAME: RIGHT ANGLE RECEPTACLE ASSEMBLY WITH GUIDES, SOLDER TYPE MULTI-BEAM XL
 SIZE: A100779
 CAGE CODE: 6450172
 SCALE: 1:1 SHEET 2 OF 4 REV: C1

| LOC | | DIST | | REVISIONS | | | | |
|-----|-----|------|-----|-----------|-------------|------|-----|------|
| P | LTN | DATE | OWN | APVD | DESCRIPTION | DATE | OWN | APVD |
| - | - | - | - | - | SEE SHEET 1 | - | - | - |

| PART NUMBER | ROWS | SIGNAL | | | | | | POWER | | | | | | | | |
|-------------|------------------|--------|---|---|---|---|---|-------|----|----|----|----|----|----|----|----|
| | | 6 | 5 | 4 | 3 | 2 | 1 | P9 | P8 | P7 | P6 | P5 | P4 | P3 | P2 | P1 |
| 6450172-3 | D C B A | H | H | H | H | H | H | RA | RA | RA | RA | RA | RA | RA | RA | RA |
| | | G | G | G | G | G | G | | | | | | | | | |
| | | F | F | F | F | F | F | | | | | | | | | |
| | | E | E | E | E | E | E | | | | | | | | | |



| PART NUMBER | ROWS | SIGNAL | | | | | | POWER | | | | | |
|-------------|------------------|--------|---|---|---|---|---|-------|----|----|----|----|----|
| | | 6 | 5 | 4 | 3 | 2 | 1 | P6 | P5 | P4 | P3 | P2 | P1 |
| 6450172-4 | D C B A | H | H | H | H | H | H | RM | RM | RM | RM | RM | RM |
| | | G | G | G | G | G | G | | | | | | |
| | | F | F | F | F | F | F | | | | | | |
| | | E | E | E | E | E | E | | | | | | |



THIS DRAWING IS A CONTROLLED DOCUMENT. DWN: R.GRZYBOWSKI 22FEB05
 CHK: M.PERCHEKKE 22FEB05

DIMENSIONS: INCHES. TOLERANCES UNLESS OTHERWISE SPECIFIED:
 0 PLC ±.01
 1 PLC ±.01
 2 PLC ±.01
 3 PLC ±.01
 4 PLC ±.005
 5 PLC ±.002
 6 PLC ±.002
 ANGLES ±.020

MATERIAL: FINISH: WEIGHT: CUSTOMER DRAWING

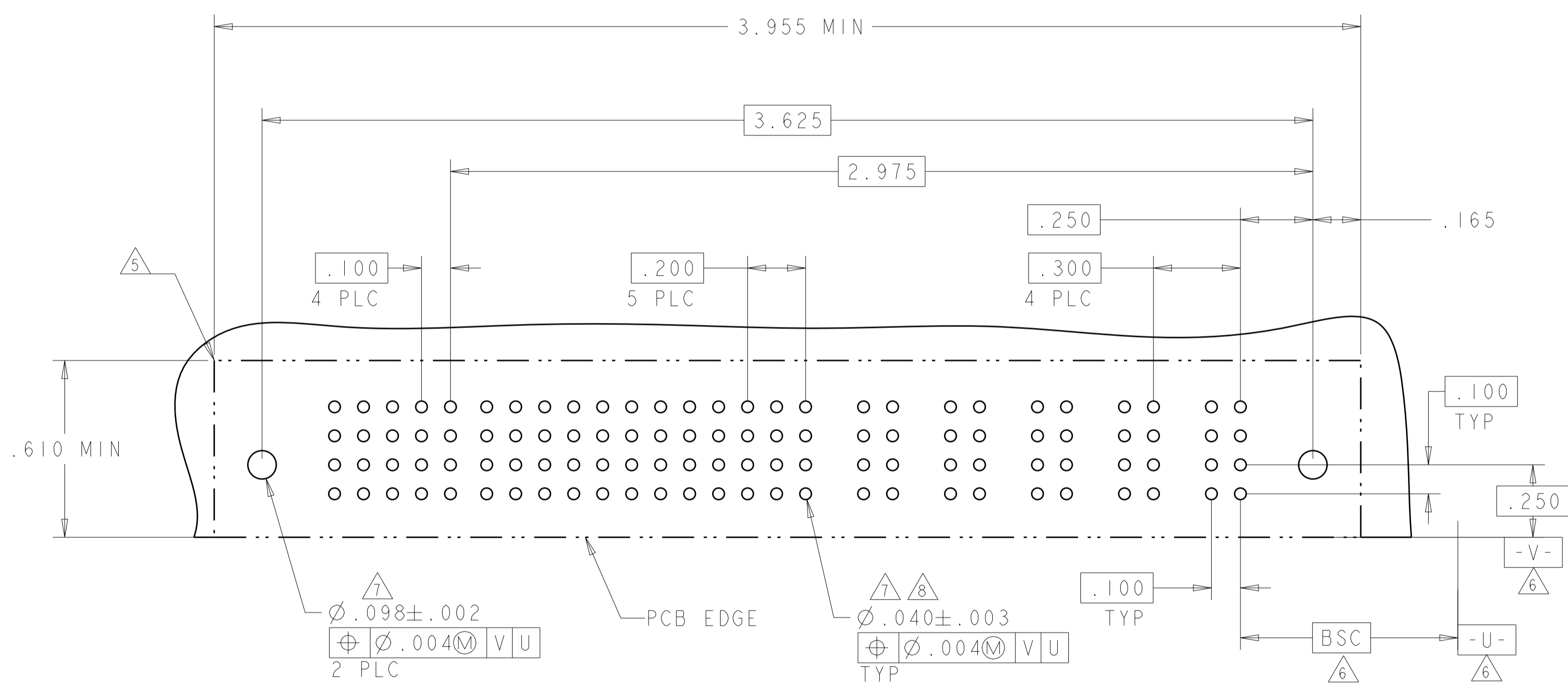
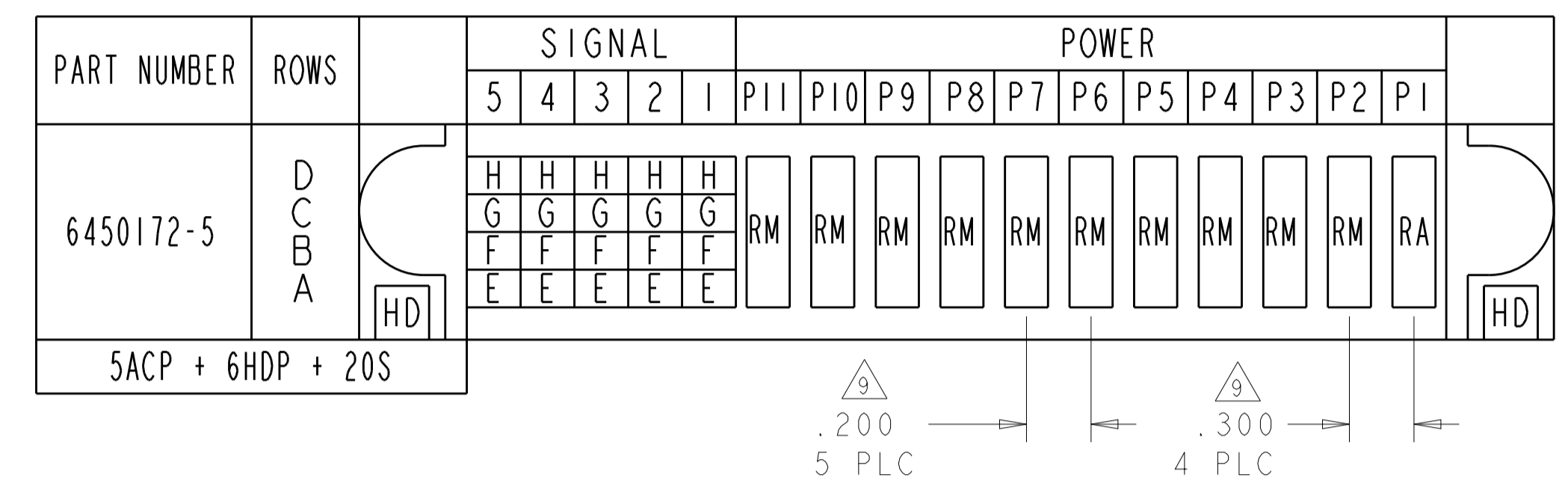
APVD: M.PERCHEKKE
 PRODUCT SPEC: 108-1973
 APPLICATION SPEC: 114-13038

NAME: RIGHT ANGLE RECEPTACLE ASSEMBLY WITH GUIDES, SOLDER TYPE MULTI-BEAM XL
 SIZE: A100779 C=6450172
 CAGE CODE: DRAWING NO: 114-13038

RESTRICTED TO: SCALE: 1:1 SHEET 3 OF 4 REV: C1

TE Connectivity

| LOC | DIST | REVISIONS | | | |
|-----|------|-------------|------|-----|------|
| P | LTN | DESCRIPTION | DATE | DMN | APVD |
| - | - | SEE SHEET 1 | - | - | - |
| | | | | | |
| | | | | | |



| | | | |
|--|--|-----------------------------|--|
| THIS DRAWING IS A CONTROLLED DOCUMENT. | | DMN: R.GRZYBOWSKI 22FEB05 | TE Connectivity |
| DIMENSIONS: INCHES | | CHK: M.PERCHEKKE 22FEB05 | |
| | | APVD: M.PERCHEKKE | NAME: RIGHT ANGLE RECEPTACLE ASSEMBLY WITH GUIDES, SOLDER TYPE MULTI-BEAM XL |
| TOLERANCES UNLESS OTHERWISE SPECIFIED: | | PRODUCT SPEC: 108-1973 | SIZE: A100779 C=6450172 |
| 0 PLC ±.01 | | APPLICATION SPEC: 114-13038 | RESTRICTED TO: - |
| 1 PLC ±.01 | | WEIGHT: - | SCALE: 1:1 |
| 2 PLC ±.01 | | CUSTOMER DRAWING | SHEET 4 OF 4 |
| 3 PLC ±.005 | | | REV: C |
| 4 PLC ±.0020 | | | |
| ANGLES ±.2° | | | |
| FINISH: - | | | |