

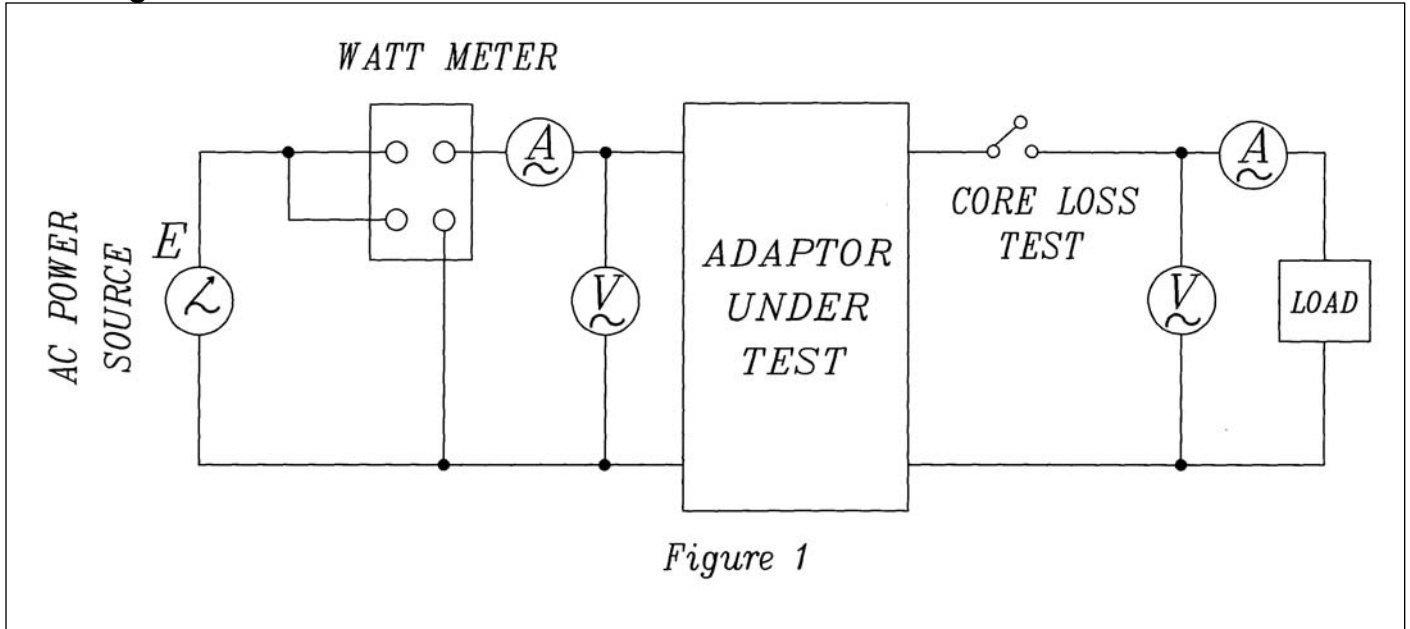


**Specifications**

Output voltage	12 V dc at 500 mA	
Primary rated input	120 V ac 60 Hz 10 W	
Primary exciting current	70 mA rms max.	
Secondary rated voltage & current	no load voltage (max.)	19 V max.
	full load volatge (200 mA)	12 V ±5%
Temperature rise of primary winding (full load)	70°C max. using resistance method	
Insulation resistance	≥ 100 M Ohm at 500 V dc	
HI-POT test	from input to output for 1 min.	1240 V ac at 2 mA
	from input to output for 1 sec.	1600 V ac at 2 mA
	from primary to seconardy winding for 1 sec.	1600 V ac at 2 mA
	from primary winding to core for 1 sec.	1600 V ac at 2 mA
	from secondary winding to core for 1 sec.	750 V ac at 2 mA
Safety standard	UL/cUL	
RoHS compliant	yes	
Test conditions	Ambient temp	40°C ±2°C
	Humidity	90-95% 96 hours at Full Load
	Rated voltage	8 hours at full load
Color	Case	black
	Cord	black
	Plug top	black



**Test Diagram**



**Label**

**CUI INC**  
**AC ADAPTOR**  
**CLASS 2 TRANSFORMER**

INPUT: AC 120V 60Hz 10W  
 OUTPUT: DC 12V 500mA  
 P/N:DPD120050-P5P-SZ

**UL** US LISTED  
 E140898  
 88Y3

RoHS MODEL: 41-12-500  
 EIA 363 YYWW X  
 MADE IN CHINA

Adhesive tape: 3m #44 tape 18 width  
 Thickness: 0.2mm  
 Material: PVC polyester  
 Color: black on silver base

Remarks: YYWW S  
 YY=production year  
 WW=production week  
 S=production location



**CUI INC**

Part No: DPD120050-P5P-SZ

Date: 2/27/2006

Unit: mm

Description: linear power supply

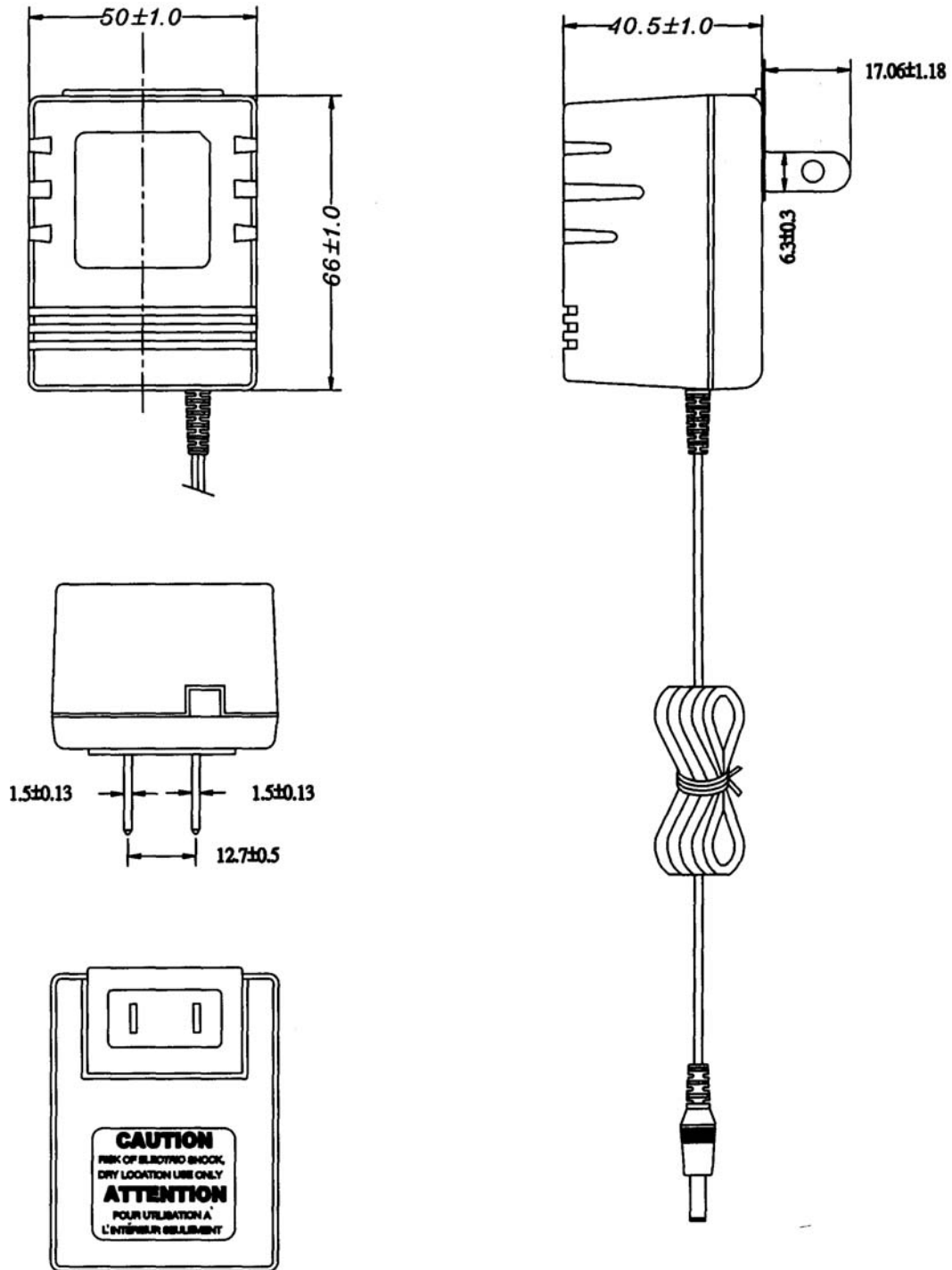
Page No: 3 of 7

### Mechanical Drawing

Tolerance:  $\pm 1$

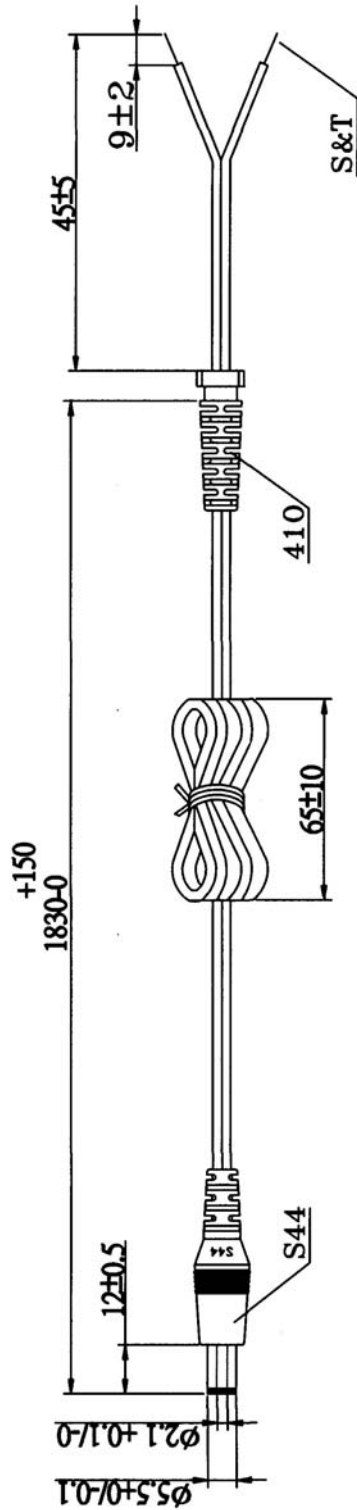
Weight

248 g





Cord



#24AWG X2C BLACK/WHITE WIRE BLACK WIRE IN OUTER, BLACK/WHITE WIRE IN INNER

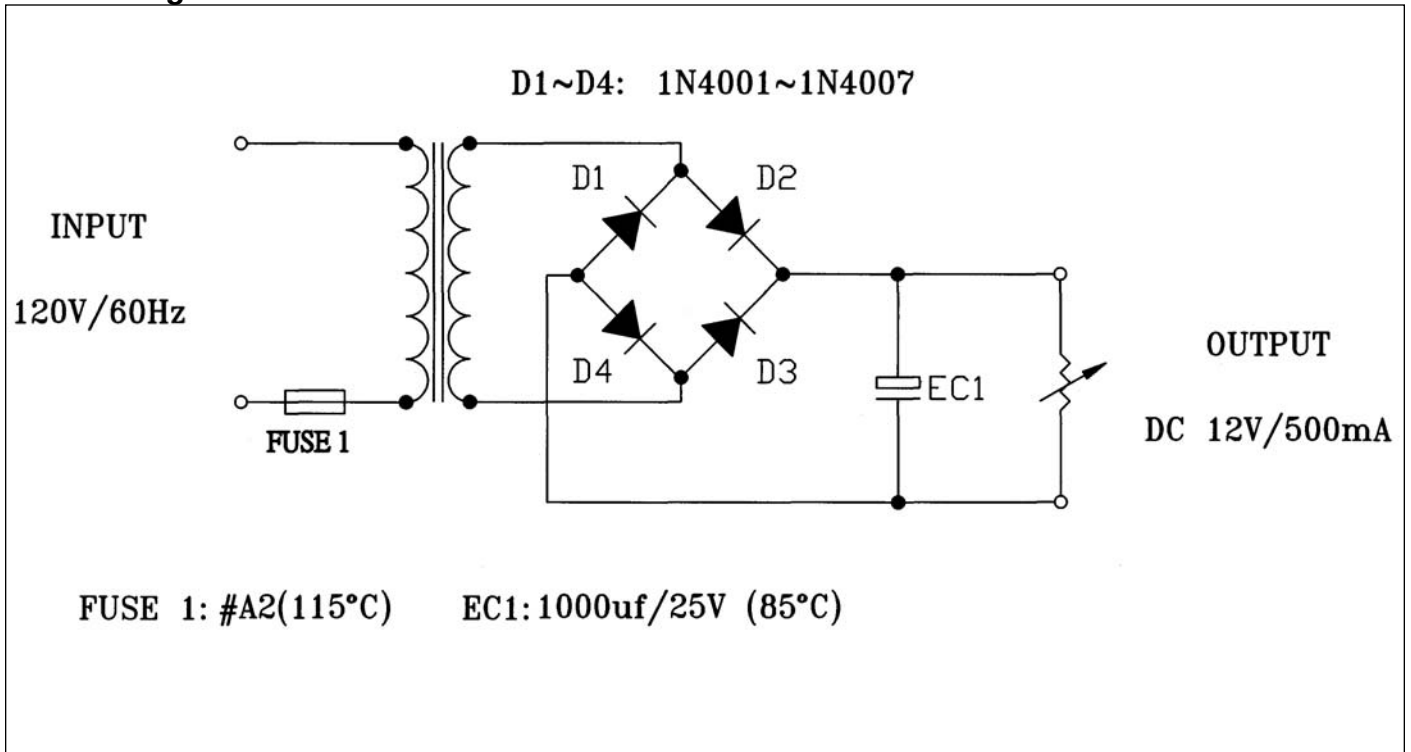
WIRE OD:  $\phi 1.8 \times 3.6$



Parameter request	a. 160' b. WEIGHT 20g c. 40 ROUND/MINUTE d. OVER 1000 COUNT MIN
VIBRATION TEST	



**Circuit Diagrams**





**CUI INC**

Part No: DPD120050-P5P-SZ

Date: 2/27/2006

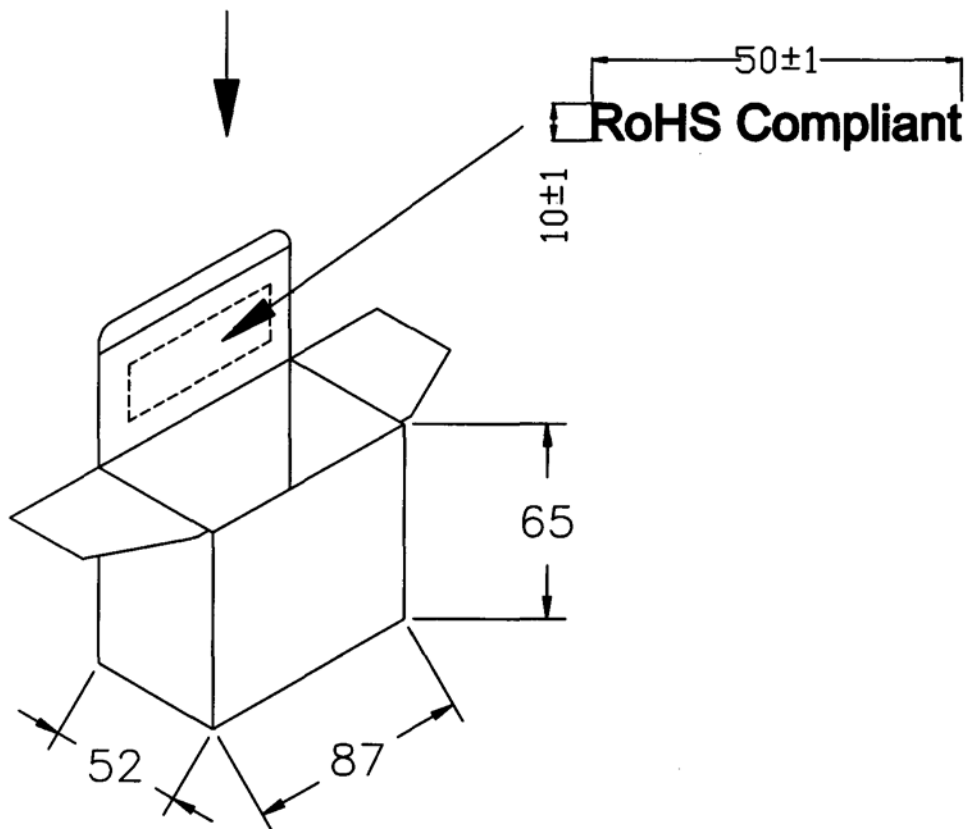
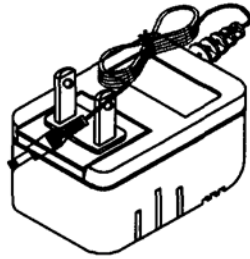
Unit: mm

Description: linear power supply

Page No: 6 of 7

### Packaging

Tolerance:  $\pm 1$





**Packaging**

Tolerance: +7/-0

EXTERNAL CARTON MATERIAL:A=B(6mm)  
INTERNAL CARTON MATERIAL:A-B(3mm)  
CARTON SIZE: 376X357X190mm

Q'TY: 60pcs(20X3X1)

