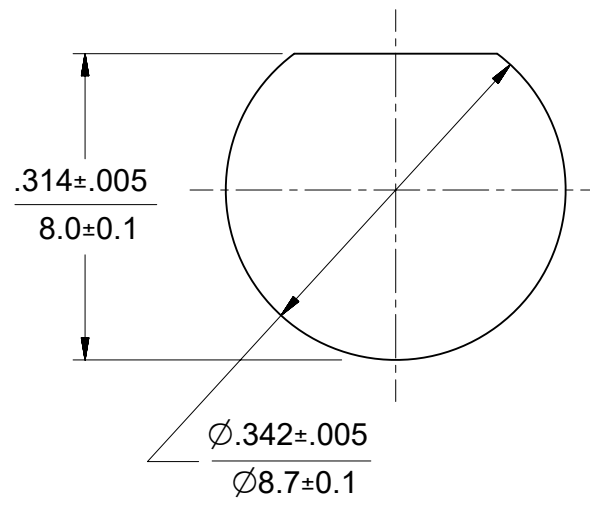
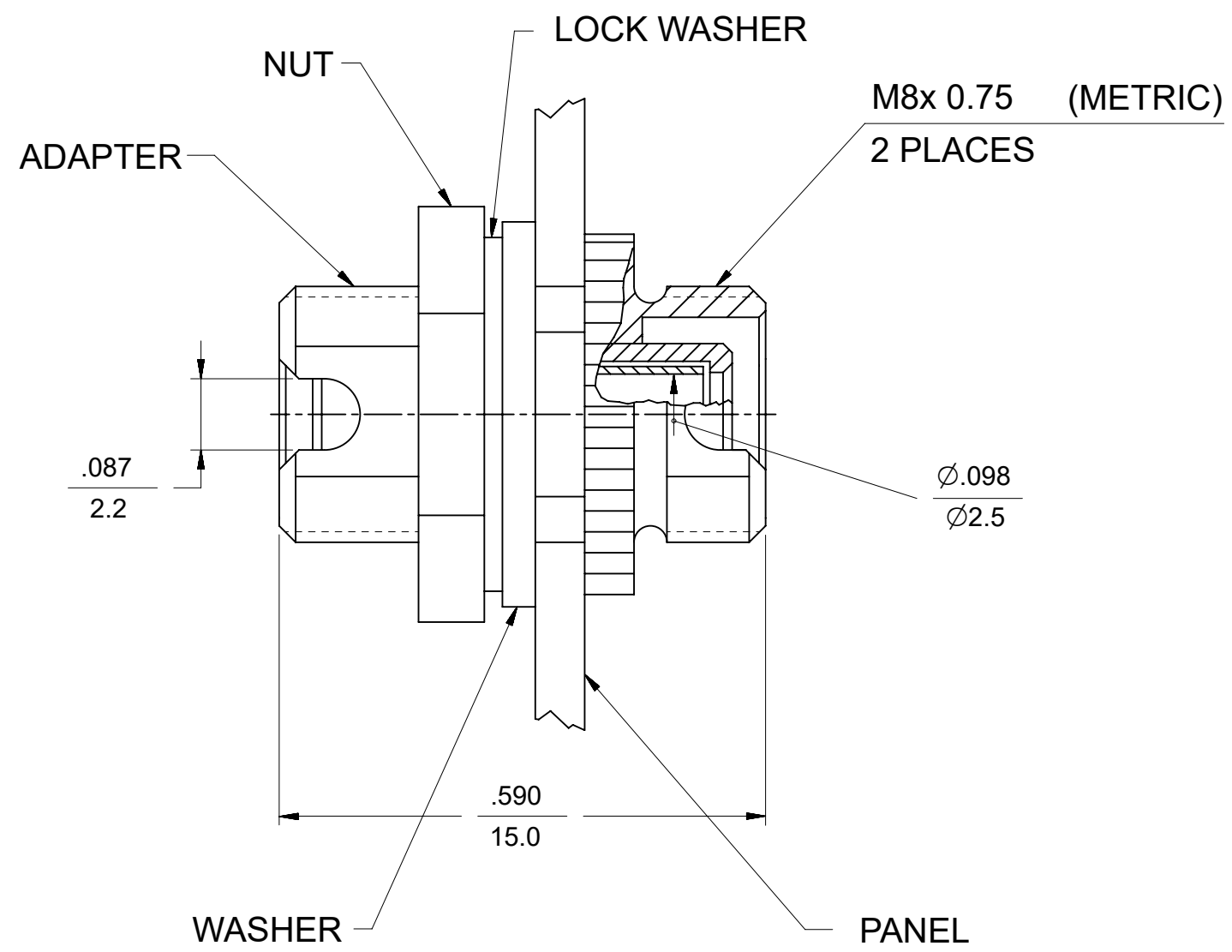
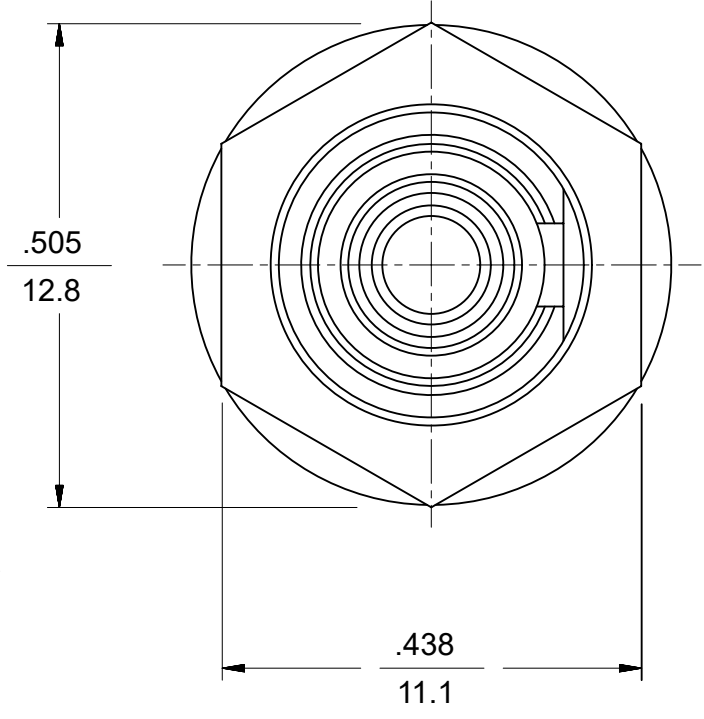


10	9
P/N OF ADAPTER	MATERIAL OF SLEEVE
106152-1000	CERAMIC
106156-1100*	



RECOMMENDED MOUNTING HOLE



NOTES:

1. FOR THE USE OF WASHERS ACCORDING TO THE PANEL THICKNESS SEE FOLLOWING TABLE:

PANEL THICKNESS	USE WASHER
.047 / 1.2 TO .060 / 1.5	BOTH WASHERS
.061 / 1.55 TO .085 / 2.15	FLAT WASHER
.086 / 2.2 TO .102 / 2.6	LOCK WASHER

2. DUST CAPS ARE NOT SHOWN, BUT INCLUDED.

\*3. P/N 106152-1100 IS BULK PACKED IN QUANTITIES OF 100 PCS.

**PANEL THICKNESS**  
MIN.: .047/ 1.2  
MAX.: .102/ 2.6

THIS DRAWING CONTAINS INFORMATION THAT IS PROPRIETARY TO MOLEX ELECTRONIC TECHNOLOGIES, LLC AND SHOULD NOT BE USED WITHOUT WRITTEN PERMISSION																																	
FUNCTIONAL SYMBOLS	DIMENSION UNITS	SCALE	CURRENT REV DESC: OBSOLETE PART NUMBER AS PER PCN 508518																														
$\frac{E}{A} = 0$	IN/MM	5:1	<table border="1"> <tr> <td colspan="3">GENERAL TOLERANCES (UNLESS SPECIFIED)</td> </tr> <tr> <td></td> <td>MM</td> <td>INCH</td> </tr> <tr> <td>4 PLACES</td> <td>±</td> <td>±</td> </tr> <tr> <td>3 PLACES</td> <td>±</td> <td>±</td> </tr> <tr> <td>2 PLACES</td> <td>±</td> <td>±</td> </tr> <tr> <td>1 PLACE</td> <td>±</td> <td>±</td> </tr> <tr> <td>0 PLACES</td> <td>±</td> <td>±</td> </tr> <tr> <td colspan="2">ANGULAR TOL</td> <td>± 0.5°</td> </tr> </table>							GENERAL TOLERANCES (UNLESS SPECIFIED)				MM	INCH	4 PLACES	±	±	3 PLACES	±	±	2 PLACES	±	±	1 PLACE	±	±	0 PLACES	±	±	ANGULAR TOL		± 0.5°
GENERAL TOLERANCES (UNLESS SPECIFIED)																																	
	MM	INCH																															
4 PLACES	±	±																															
3 PLACES	±	±																															
2 PLACES	±	±																															
1 PLACE	±	±																															
0 PLACES	±	±																															
ANGULAR TOL		± 0.5°																															
DIVISIONAL SYMBOLS	THIRD ANGLE PROJECTION																																
$\frac{E}{E} = 0$	DRAWING																																
$\frac{E}{P} = 0$	SERIES																																
INITIAL REVISION:			EC NO: 652962				2021/01/13																										
DRWN: RPACIFICI			DRWN: JHUANG18				2021/08/24																										
APPR:			CHK'D: WCHEN				2021/08/24																										
APPR:			APPR: WCHEN				2021/08/24																										
DRAFT WHERE APPLICABLE MUST REMAIN WITHIN DIMENSIONS			MATERIAL NUMBER		CUSTOMER		SHEET NUMBER																										
			SEE TABLE		GENERAL MARKET		1 OF 1																										

**molex**

FC ADAPTER (D-HOLE)

PRODUCT CUSTOMER DRAWING

DOCUMENT NUMBER	DOC TYPE	DOC PART	REVISION
SD-10615X-1000	PSD	001	C