

10 Watts

AER03



Total Power: 10 Watts
Input Voltages: 5 V
No. of Outputs: Single

Electrical Specs

Input

Input range	4.5V - 5.5Vdc
Input Surge	10V
Efficiency	88%@3.3V

Control

Enable	TTL compatible (positive enable option)
--------	--------------------------------------------

Output

Regulation (Line, Load, Temp)	<3%
Ripple and noise	30mV
Transient Response	1% max deviation with 50% to 75% full load 40 μ S (max) recovery

Specifications subject to change without notice.

Special Features

- Point of load (POL) applications
- Positive enable function
- Low output ripple and noise
- Fixed frequency switching (150 kHz)
- Overvoltage, over current protection
- Small 1 X 1 Footprint
- Non-Isolated

Environmental

Operating temperature
-25°C to +95°C
 Storage temperature: -40°C to +125°C
 MTBF: = 5 million hours

Safety

UL, cUL 1950 Recognized
TUV EN60950 Licensed

AMERICAS

5810 Van Allen Way
Carlsbad, CA 92008
Telephone: 760-930-4600
Facsimile: 760-930-0698

EUROPE

Astec House, Waterfront Business Park
Merry Hill, Dudley
West Midlands, DY5 1LX, UK
Telephone: 44 (1384) 842-211
Facsimile: 44 (1384) 843-355

ASIA

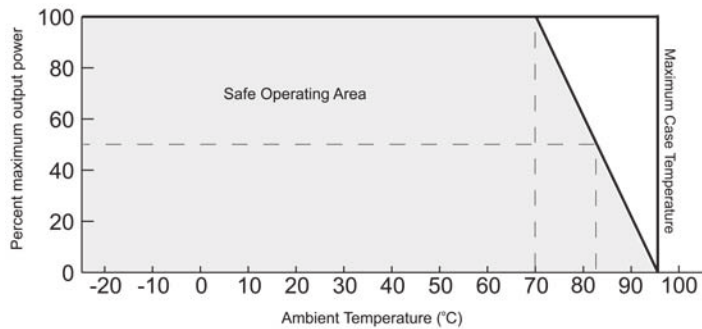
14/F, Lu Plaza
2 Wing Yip Street
Kwun Tong, Kowloon
Hong Kong
Telephone: 852-2176-3333
Facsimile: 852-2176-3888



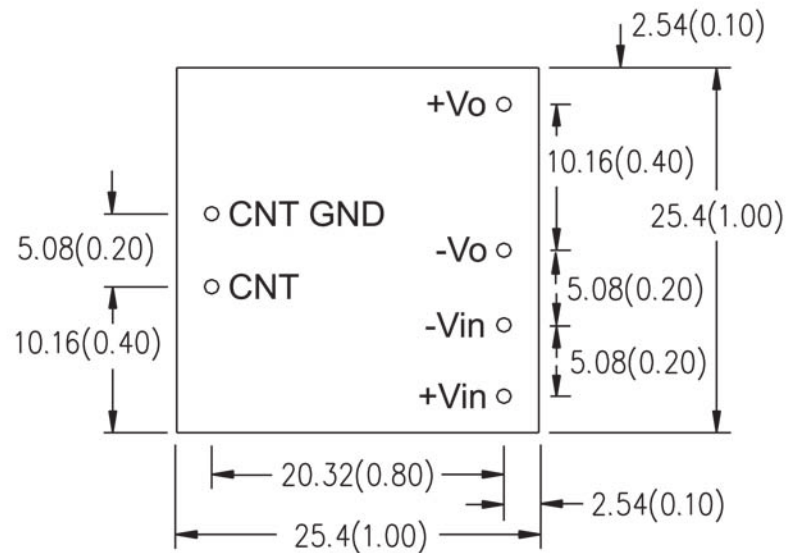
AER03

Ordering Information

Input Voltage	Output Voltage	Efficiency Full Load	Model Number
4.5V-5.5V	3.3V @ 3A	88% (Typ)	AER03F05N (EOL)



AM10 Temperature Derating



Notes:

- 20 mHz bandwidth. External 10 uF tant. capacitor + 0.1 uF cer. capacitor placed from +V out to -V out.
- All specifications are typical at nominal line, full load, and 25°C unless otherwise noted.
- All specifications subject to change without notice. Mechanical drawings are for reference only.
- Technical Reference Notes should be consulted for detailed information when available.
- Warranty: 1yr

