

THIS DRAWING IS UNPUBLISHED.

RELEASED FOR PUBLICATION

ALL RIGHTS RESERVED.

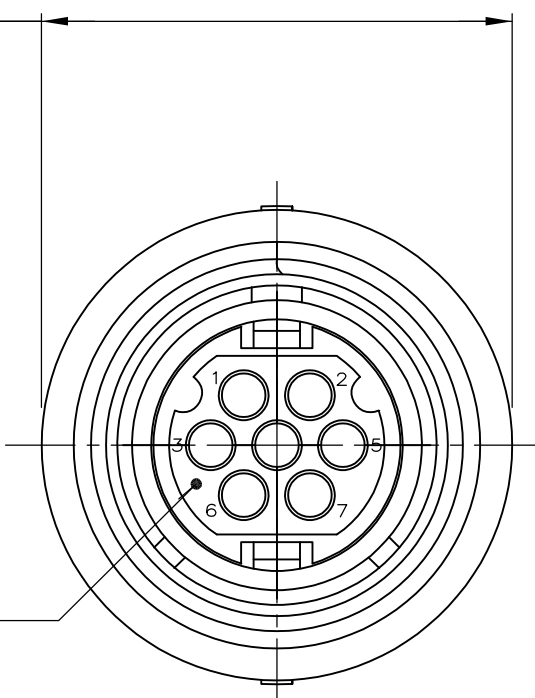
© COPYRIGHT - By -

REVISIONS

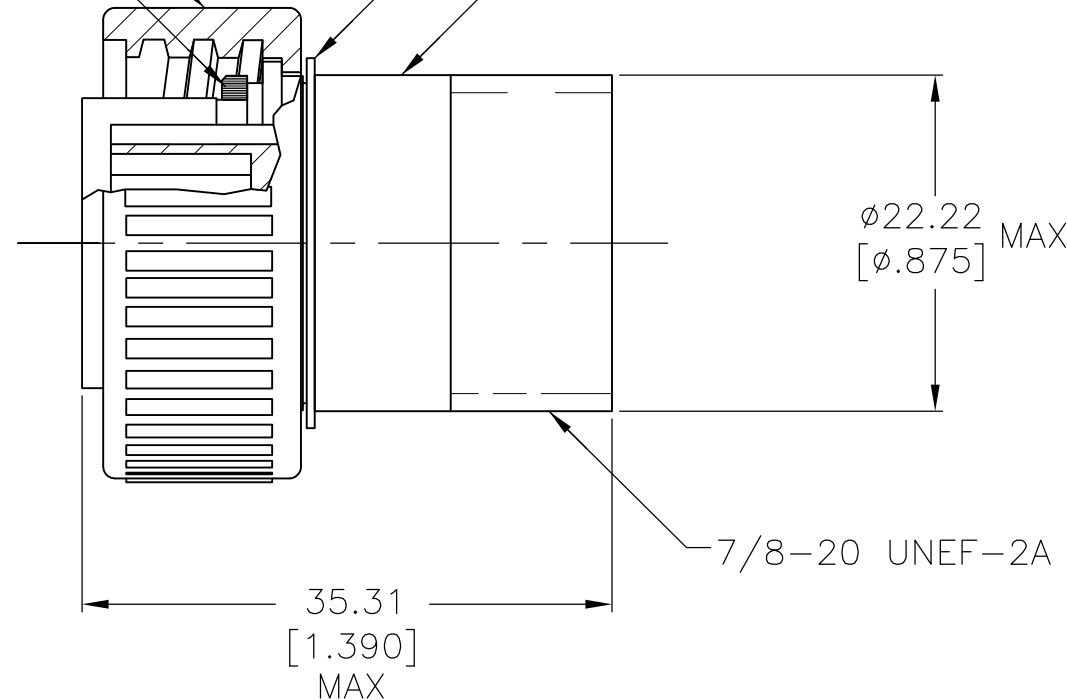
P	LTR	DESCRIPTION	DATE	DWN	APVD
J1		REVISED PER ECO-16-004800	10SEP2016	NK	MZ

ø31.12±0.38
[ø1.225±.015]

PIN HOUSING



COUPLING RING
SEAL
SEE TABLE
RETAINER RING
PLUG SHELL



- 1 THIS CONNECTOR ACCEPTS SEVEN (7) SIZE 16 MULTIMATE PIN CONTACTS, MAXIMUM WIRE INSULATION DIA = 2.67 [.105].
- 2 THIS CONNECTOR MATES WITH AMP P/N 208717-1.
- 3 AMP P/N AND DATE CODE TO BE LOCATED ON COUPLING RING.
- 4 NICKEL PER QQ-N-290 OVER COPPER PER MIL-C-14550.
- 5 ZINC PER QQ-Z-363.

OBSOLETE	YES	208716-2
	NO	208716-1
	SEAL	PART NO.

THIS DRAWING IS A CONTROLLED DOCUMENT.		DWN D.HARDY 05/20/94	TE Connectivity PLUG ASSEMBLY, REVERSE SEX, SERIES 1, 14-7, CMC											
DIMENSIONS: INCHES		CHK R.STONE 05/26/94												
TOLERANCES UNLESS OTHERWISE SPECIFIED:		APVD A.FRANTUM 07/13/94												
<table border="1"> <tr><td>0 PLC</td><td>± -</td></tr> <tr><td>1 PLC</td><td>± -</td></tr> <tr><td>2 PLC</td><td>± -</td></tr> <tr><td>3 PLC</td><td>± -</td></tr> <tr><td>4 PLC</td><td>± -</td></tr> <tr><td>ANGLES</td><td>± -</td></tr> </table>		0 PLC				± -	1 PLC	± -	2 PLC	± -	3 PLC	± -	4 PLC	± -
0 PLC	± -													
1 PLC	± -													
2 PLC	± -													
3 PLC	± -													
4 PLC	± -													
ANGLES	± -													
MATERIAL PIN HSG: TERMOPLASTIC, BLACK SEAL: FLUOROCARBON ELASTOMER RTNR RING: STAINLESS STEEL CPLG RING: PLUG SHELL:		FINISH CPLG RING: PLUG SHELL:	PRODUCT SPEC	SIZE	CAGE CODE	DRAWING NO	RESTRICTED TO							
		APPLICATION SPEC	A3 00779		C-208716									
		WEIGHT	CUSTOMER DRAWING		SCALE	SHEET	REV							
					2:1	1 OF 1	J1							