

NOTES:

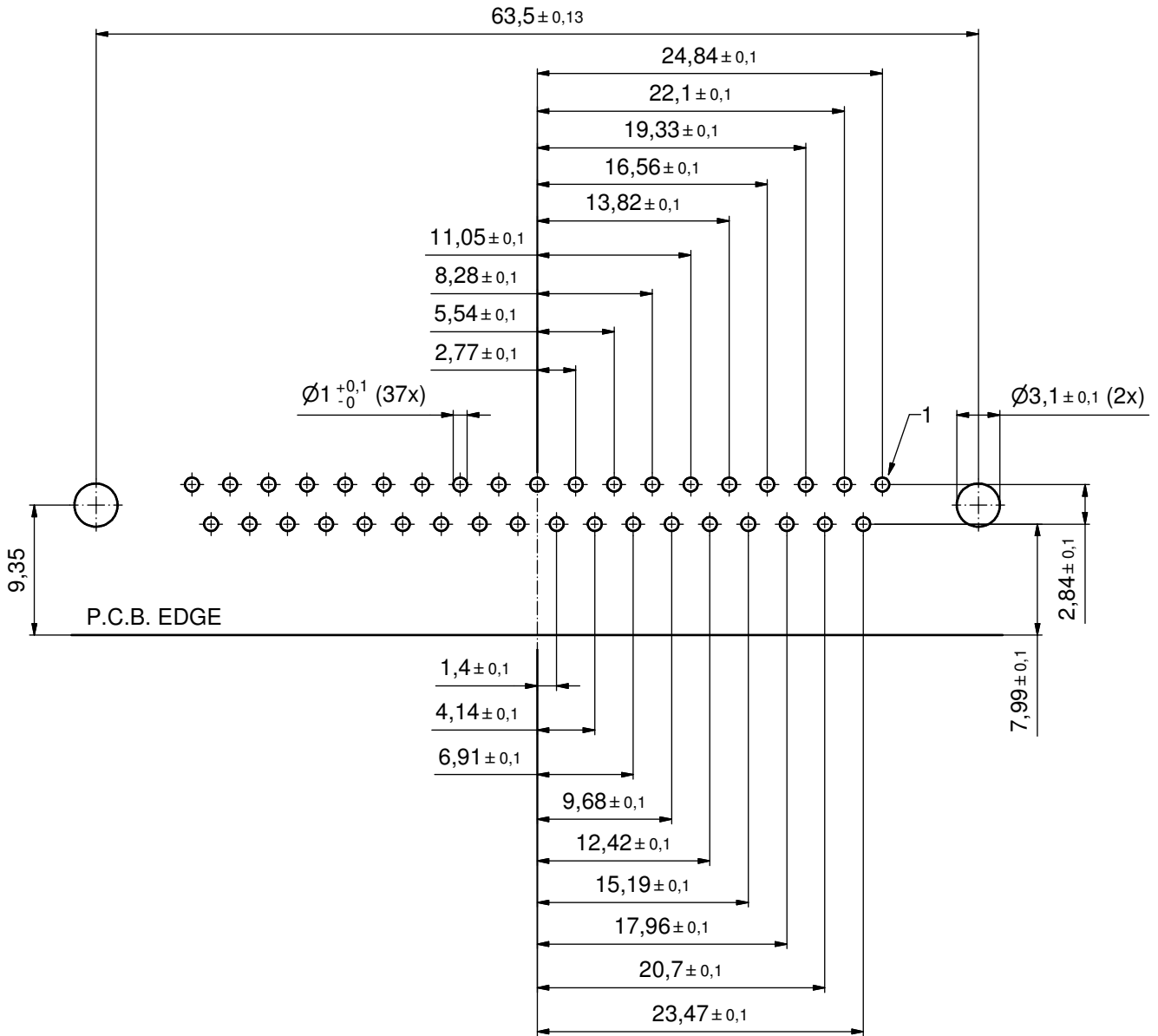
1. RoHS COMPLIANT
2. FOR WAVESOLDERING (SOLDER BATH TEMPERATURE 260°C FOR 5 SEC. AND SOLDER PREHEAT 100°C FOR 30 SEC.)
3. METALSHELLS: STEEL; min. 315µin TIN over 40-80µin NICKEL
4. INSULATORS: HIGH TEMPERATURE PLASTIC UL 94 V-0, BLACK
5. CONTACTS: COPPER ALLOY; PLATING (SEE PART NO):
 - PLEASE ADD A for GOLD FLASH over NICKEL (PREFERRED TYPE)
 - PLEASE ADD B for 20µin HARD GOLD over min. 50µin NICKEL
 - PLEASE ADD C for 30µin HARD GOLD over min. 50µin NICKEL
 CONTACT TAILS PRETINNED
6. METAL BRACKETS: ZINC DIE CAST; 300µin COPPER/40-120µin NICKEL/120-200µin TIN
7. THREADED INSERTS: COPPER ALLOY; min. 200µin TIN over 80µin NICKEL
8. PCB-SNAPS: COPPER ALLOY; min. 200µin TIN over 80µin NICKEL
PCB-HOLE: Ø3,1±0,1; PCB THICKNESS 1,6mm
9. FIXING-PLATE: HIGH TEMPERATURE PLASTIC UL 94 V-0; BLACK
10. CAPACITANCE: 370pF±20%
11. DIELECTRIC WITHSTANDING VOLTAGE: 424 VDC
12. P.C.B. HOLE DRILLINGS ON SHEET 2
13. MAXIMUM TORQUE VALUE FOR THREAD: 6 in.LB
14. CONNECTOR IS PART MARKED: 242□17770X CONEC ABC (see note 5)

Directive 2002/95/EC RoHS compliant

THIS DRAWING MAY NOT BE COPIED OR REPRODUCED IN ANY WAY, AND MAY NOT BE PASSED ON TO A THIRD PARTY WITHOUT WRITTEN PERMISSION. OWNERSHIP AND COPYRIGHT OF CONEC GmbH DO NOT ALTER CAD DRAWING BY HAND				tolerance		dim. in mm	scale: 2:1 (5:1)				
							material: SEE NOTES				
				date	name	title: D-SUB FILTER FEMALE 90° 37pos. SOLDER PIN ANGLED 0.318inch threaded insert, metal bracket, snap, fixing plate					
				drawn	14.09.12				Henneboel		
				appd.	14.09.12				Fischer		
				norm							
				d-old	24K1A560						
1 x b	A4461	14.09.2012	K.H.						dwg no:	24K1A1410 (b)	DIN-A3
a	Original								sh:1/2		
rev.	description	date	name	part no: 242 □17770X (see note 5)							

P.C.B. HOLE DRILLINGS

(P.C.B. TOP SIDE)



THIS DRAWING MAY NOT BE COPIED OR REPRODUCED IN ANY WAY, AND MAY NOT BE PASSED ON TO A THIRD PARTY WITHOUT WRITTEN PERMISSION. OWNERSHIP AND COPYRIGHT OF CONEC GmbH DO NOT ALTER CAD DRAWING BY HAND				tolerance		scale: 3:1	
				date	name	material: SEE SHEET 1	
				drawn	14.09.12	Henneboel	title: P.C.B. HOLE DRILLINGS D-SUB FILTER MALE 90° 37pos. 0.318inch threaded insert,metal bracket,snap,fixing plat
				appd.	14.09.12	Fischer	
				norm			
				d-old			dwg no:
	a	Original		CONEC [®]			24K1A1410
rev.	description	date	name				part no: SEE SHEET 1