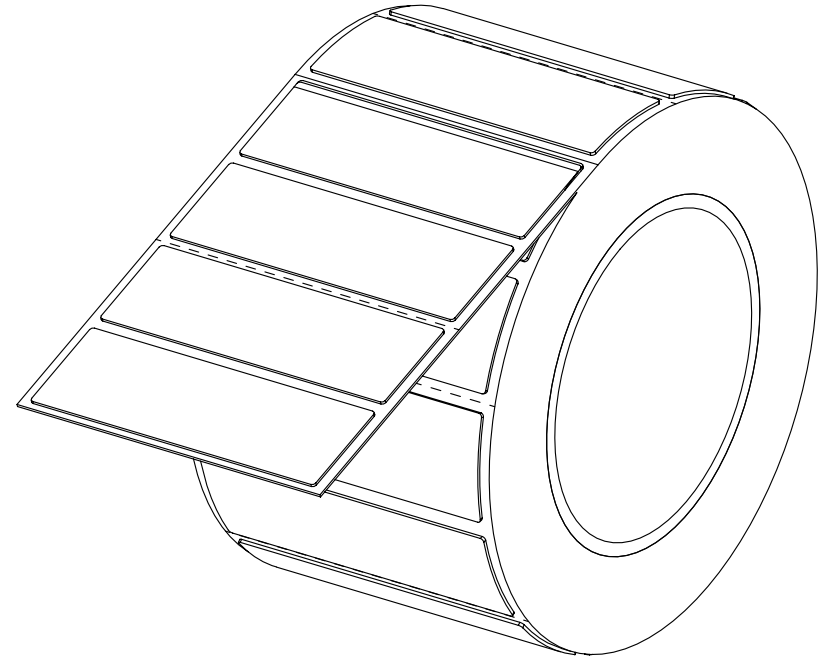
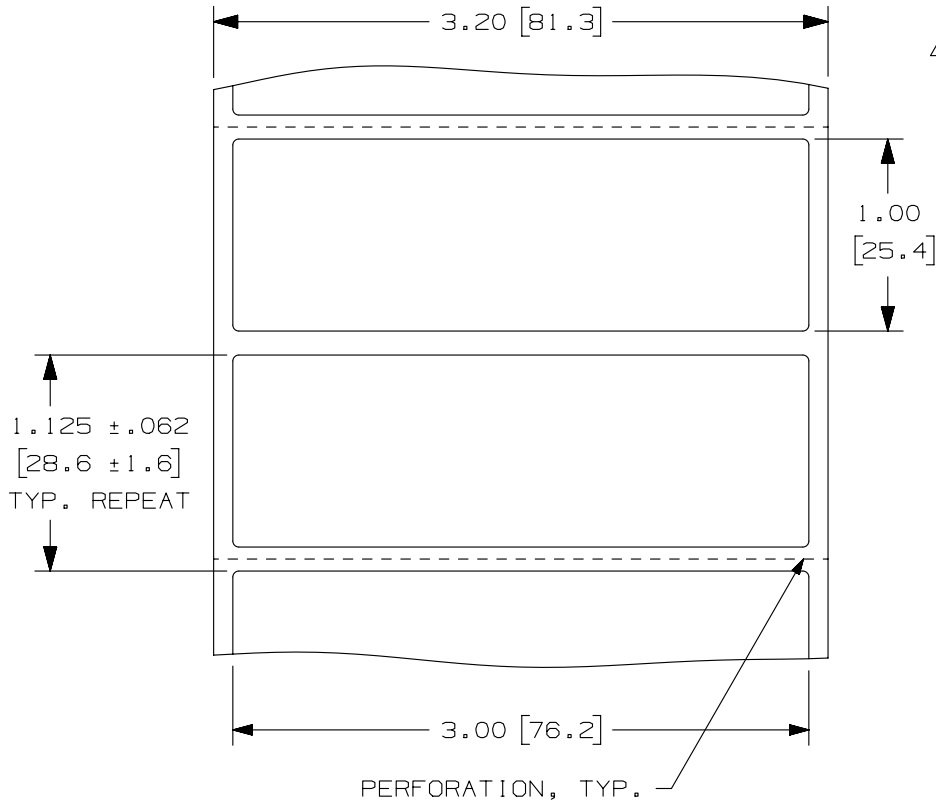


THIS COPY IS PROVIDED ON A RESTRICTED BASIS AND IS NOT TO BE USED IN ANY WAY DETRIMENTAL TO THE INTERESTS OF PANDUIT CORP.

NOTES:

1. DIMENSIONS IN [] ARE IN MILLIMETERS.

PANDUIT PART NO.	MATERIAL	FACE COLOR	PKG. QTY.	THICKNESS	PRODUCT TYPE
C300X100AOT	GMH3	BLACK	500	.030 +/- .010	COMPONENT LABEL
C300X100A8T		YELLOW			
C300X100APT	GMH3-W	WHITE			
C300X100AUT	GMH3	ORANGE			
C300X100AWT		RED			



REV	DATE	BY	CHK	APR	DESCRIPTION	ECN
3	4/25/13	RVU	SEWH	DAPE	ADD NEW PN: C300X100AWT FOR RED.	GAECN00831
2	1/21/13	RVU	SEWH	DAPE	ADD material column and ISO view. Update part numbers sequence list.	GAECN00541
1	5/6/11	RVU		DAPE	ADD NEW PN: C300X100AUT.	6348
0	5/4/10	RVU		DAPE	DRAWING RELEASE.	6037

TITLE						
RAISED PANEL COMPONENTS LABELS C300X100A*T						
CUSTOMER DRAWING						
ITEM REVISION NAME						
100491CN/04						
DATASET FILE NAME						
100491CN-DC-C10832/04D						
UNLESS OTHERWISE SPECIFIED, DIMENSIONAL TOLERANCES ARE: IN [mm]						
.x ± .12 [3.05] .xxx ± .025 [.635]						
.xx ± .062 [1.57] ANGLES ±						
THIRD ANGLE PROJECTION						
DRAWN BY						
RVU						
DATE						
5/4/10						
CHK						
MSAD						
SCALE						
NTS						
MATERIAL:						
SEE TABLE						
DRAWING NUMBER:						
C10832						
SHT 1 OF 1						
SIZE						
A						

D10100DA/12