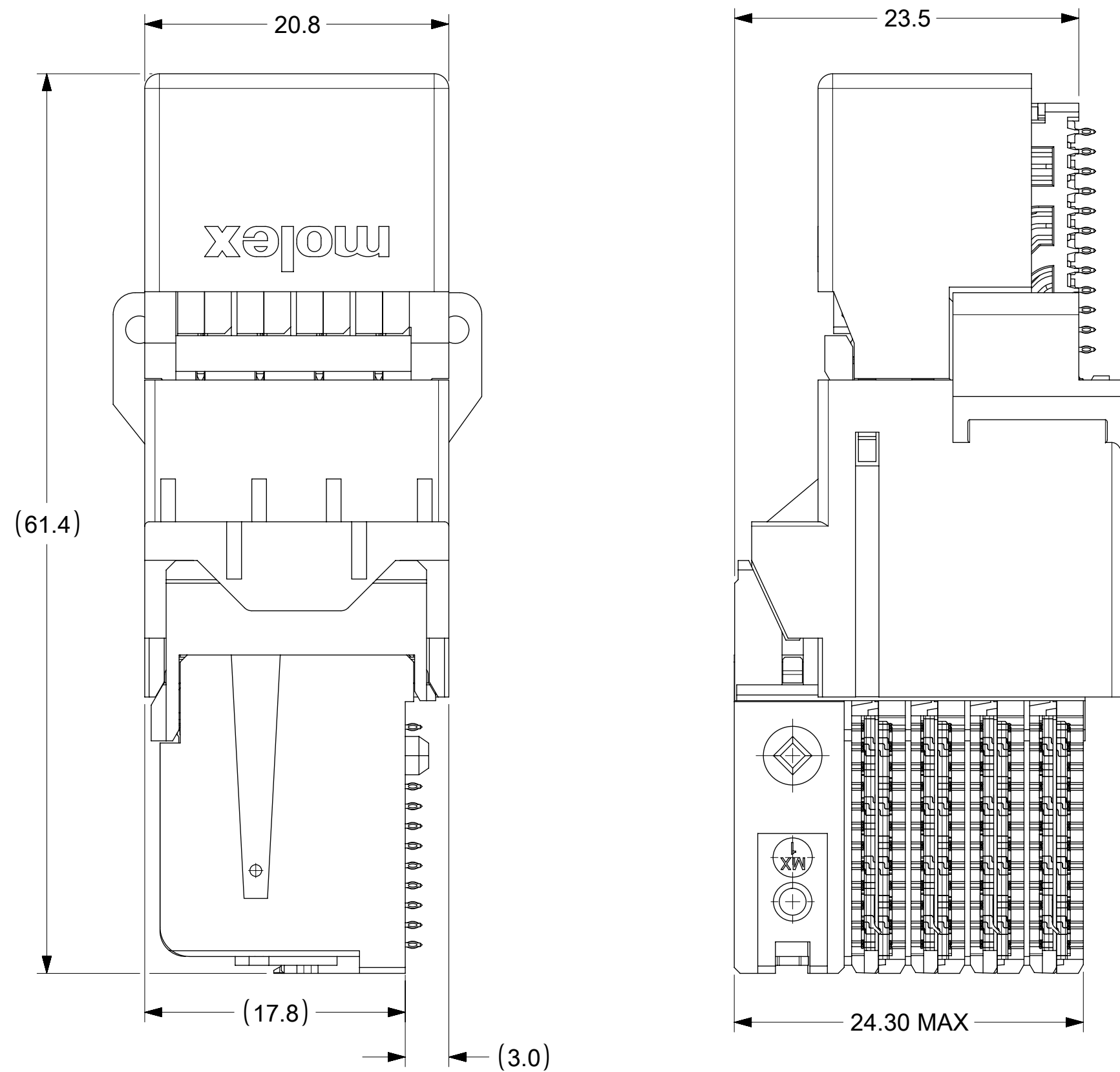


OD-RAM HOLE PATTERN
(CONNECTOR SIDE)

THIS DRAWING CONTAINS INFORMATION THAT IS PROPRIETARY TO MOLEX ELECTRONIC TECHNOLOGIES, LLC AND SHOULD NOT BE USED WITHOUT WRITTEN PERMISSION									
DIMENSION UNITS		SCALE		CURRENT REV DESC: MIGRATED TO NX					
mm		NTS		<p>IMPACT ORTHOGONAL DIRECT 4 PAIR RAM 90 & 270 ASSY TOP GUIDE SALES DRAWING</p> <p>PRODUCT CUSTOMER DRAWING</p>					
GENERAL TOLERANCES (UNLESS SPECIFIED)									
ANGULAR TOL ± 0.5°									
4 PLACES ±		EC NO: 705090							
3 PLACES ±		DRWN: AAPPAROTHAKK 2018/09/03							
2 PLACES ± 0.13		CHK'D: VINODM3 2022/02/17							
1 PLACE ± 0.25		APPR: LZENG 2022/05/13							
0 PLACES ±		INITIAL REVISION:		DOCUMENT NUMBER		DOC TYPE		DOC PART	
DRAFT WHERE APPLICABLE MUST REMAIN WITHIN DIMENSIONS		THIRD ANGLE PROJECTION		DRAWING		SERIES		REVISION	
				C-SIZE		171574		SD-171574-0002	
				MATERIAL NUMBER		CUSTOMER		SHEET NUMBER	
				SEE TABLE		GENERAL MARKET		1 OF 4	



MATED DIMENSIONS

(POSITION 90° SHOWN)

NOTES:

- MATERIALS: HOUSING - LIQUID CRYSTAL POLYMER (LCP)
GLASS-FILLED, UL94V-0
TERMINALS - HIGH PERFORMANCE COPPER ALLOY
- FINISH: 30μ MIN GOLD IN CONTACT AREA.
SELECTIVE TIN ON PCB TAILS.
NICKEL OVERALL.
- REFER TO MOLEX PRODUCT SPECIFICATION PS-76060-999 FOR PERFORMANCE SPECIFICATIONS AND ADDITIONAL PCB INFORMATION.
- THIS PART CONFORMS TO CLASS B REQUIREMENTS OF COSMETIC SPEC PS-45499-002.
- PACKAGE PER: PK-70873-8020.
- SEE SHEET 3 FOR ORTHOGONAL PIN MAPPING.
- REFER TO SHEET 3 AND 4 FOR THE MATING RECEPTACLES.
- REFER TO MOLEX ROUTING GUIDE AS-76850-990 FOR ADDITIONAL PCB LAYOUT AND ROUTING RECOMMENDATIONS.
- CONNECTORS ARE SUPPLIED WITH TWO 2-32 THREAD FORMING SCREWS.
- THESE DIMENSIONS REPRESENT THE AREA NEEDED TO ACCOMODATE CONNECTOR INSERTION AND REPAIR ON THE PC BOARD. THIS IS REFERED TO AS THE "CONNECTOR KEEP OUT ZONE" AND DOES NOT REPRESENT THE ACTUAL PERIMETER OF THE CONNECTOR.
- MARKING: LOCATED APPROXIMATELY AS SHOWN, ON BOTTOM OR TOP HOUSING. PART NUMBER AND DATE CODE.

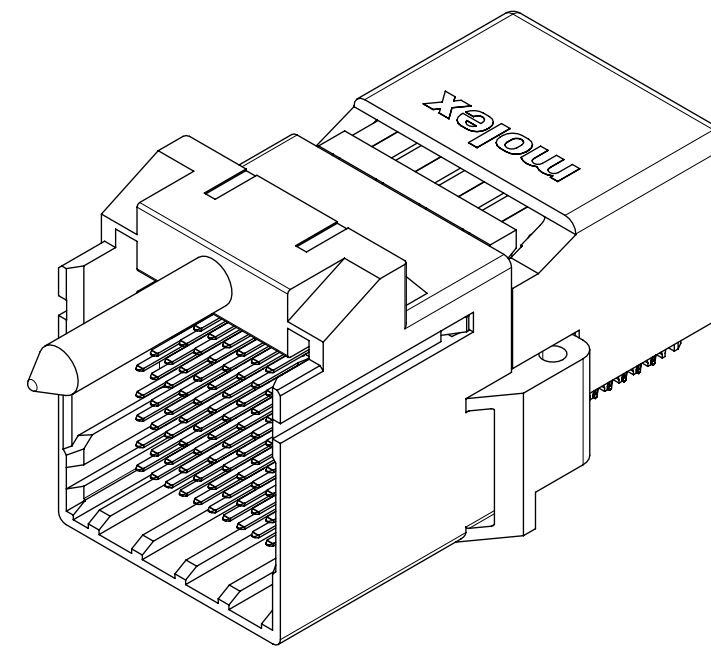
171574-78**

MODULE TYPE
7 = TOP GUIDED, TIN

OF COLUMNS
8 = 8 COLUMN

PIN LENGTH (P)
4 = 4.90 (0.46 PTH)
5 = 5.50 (0.46 PTH)
7 = 4.90 (0.39 PTH)
8 = 5.50 (0.39 PTH)

MATE POSITION
0 = 90 DEGREE
3 = 270 DEGREE

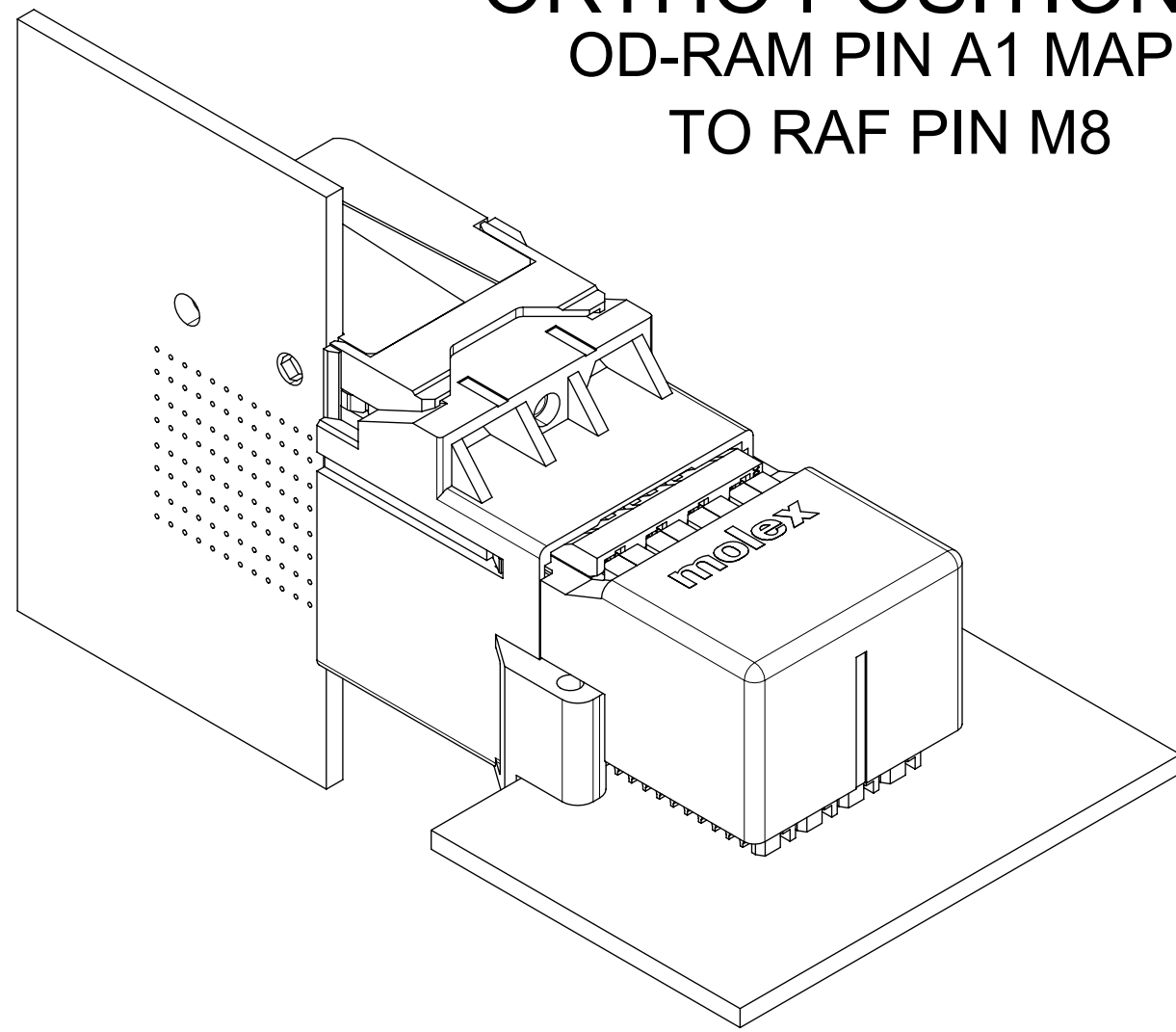


THIS DRAWING CONTAINS INFORMATION THAT IS PROPRIETARY TO MOLEX ELECTRONIC TECHNOLOGIES, LLC AND SHOULD NOT BE USED WITHOUT WRITTEN PERMISSION

DIMENSION UNITS	SCALE	CURRENT REV DESC: MIGRATED TO NX		molex			
mm	NTS			IMPACT ORTHOGONAL DIRECT 4 PAIR RAM 90 & 270 ASSY TOP GUIDE SALES DRAWING			
GENERAL TOLERANCES (UNLESS SPECIFIED)		EC NO: 705090		PRODUCT CUSTOMER DRAWING			
ANGULAR TOL	± 0.5°	DRWN: AAPPAROTHAKK	2018/09/03	DOCUMENT NUMBER			
4 PLACES	±	CHK'D: VINODM3	2022/02/17	SD-171574-0002		DOC TYPE	DOC PART
3 PLACES	±	APPR: LZENG	2022/05/13			PSD	001
2 PLACES	± 0.13	INITIAL REVISION:		REVISION			
1 PLACE	± 0.25	DRWN: JMENDOZA	2012/04/13			B3	
0 PLACES	±	APPR: JMENDOZA	2012/06/08				
DRAFT WHERE APPLICABLE MUST REMAIN WITHIN DIMENSIONS		THIRD ANGLE PROJECTION	DRAWING	SERIES	MATERIAL NUMBER	CUSTOMER	SHEET NUMBER
			C-SIZE	171574	SEE TABLE	GENERAL MARKET	2 OF 4

DOCUMENT STATUS	P1	RELEASE DATE	2022/05/13	03:05:10
-----------------	----	--------------	------------	----------

**ORTHO POSITION 90°
OD-RAM PIN A1 MAPS
TO RAF PIN M8**



REFER TO MOLEX SALES DRAWING SD-76850-002
FOR MATING RECEPTACLES.

ORTHO PIN MAPPING


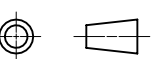
POSITION 90° (OD RAM - RAF)

(A1-M8)	A2-L8	(A3-J8)	A4-H8	(A5-F8)	A6-E8	(A7-C8)	A8-B8
B1-M7	B2-K8	B3-J7	B4-G8	B5-F7	B6-D8	B7-C7	B8-A8
C1-L7	(C2-K7)	C3-H7	(C4-G7)	C5-E7	(C6-D7)	C7-B7	(C8-A7)
(D1-M6)	D2-L6	(D3-J6)	D4-H6	(D5-F6)	D6-E6	(D7-C6)	D8-B6
E1-M5	E2-K6	E3-J5	E4-G6	E5-F5	E6-D6	E7-C5	E8-A6
F1-L5	(F2-K5)	F3-H5	(F4-G5)	F5-E5	(F6-D5)	F7-B5	(F8-A5)
(G1-M4)	G2-L4	(G3-J4)	G4-H4	(G5-F4)	G6-E4	(G7-C4)	G8-B4
H1-M3	H2-K4	H3-J3	H4-G4	H5-F3	H6-D4	H7-C3	H8-A4
J1-L3	(J2-K3)	J3-H3	(J4-G3)	J5-E3	(J6-D3)	J7-B3	(J8-A3)
(K1-M2)	K2-L2	(K3-J2)	K4-H2	(K5-F2)	K6-E2	(K7-C2)	K8-B2
L1-M1	L2-K2	L3-J1	L4-G2	L5-F1	L6-D2	L7-C1	L8-A2
M1-L1	(M2-K1)	M3-H1	(M4-G1)	M5-E1	(M6-D1)	M7-B1	(M8-A1)

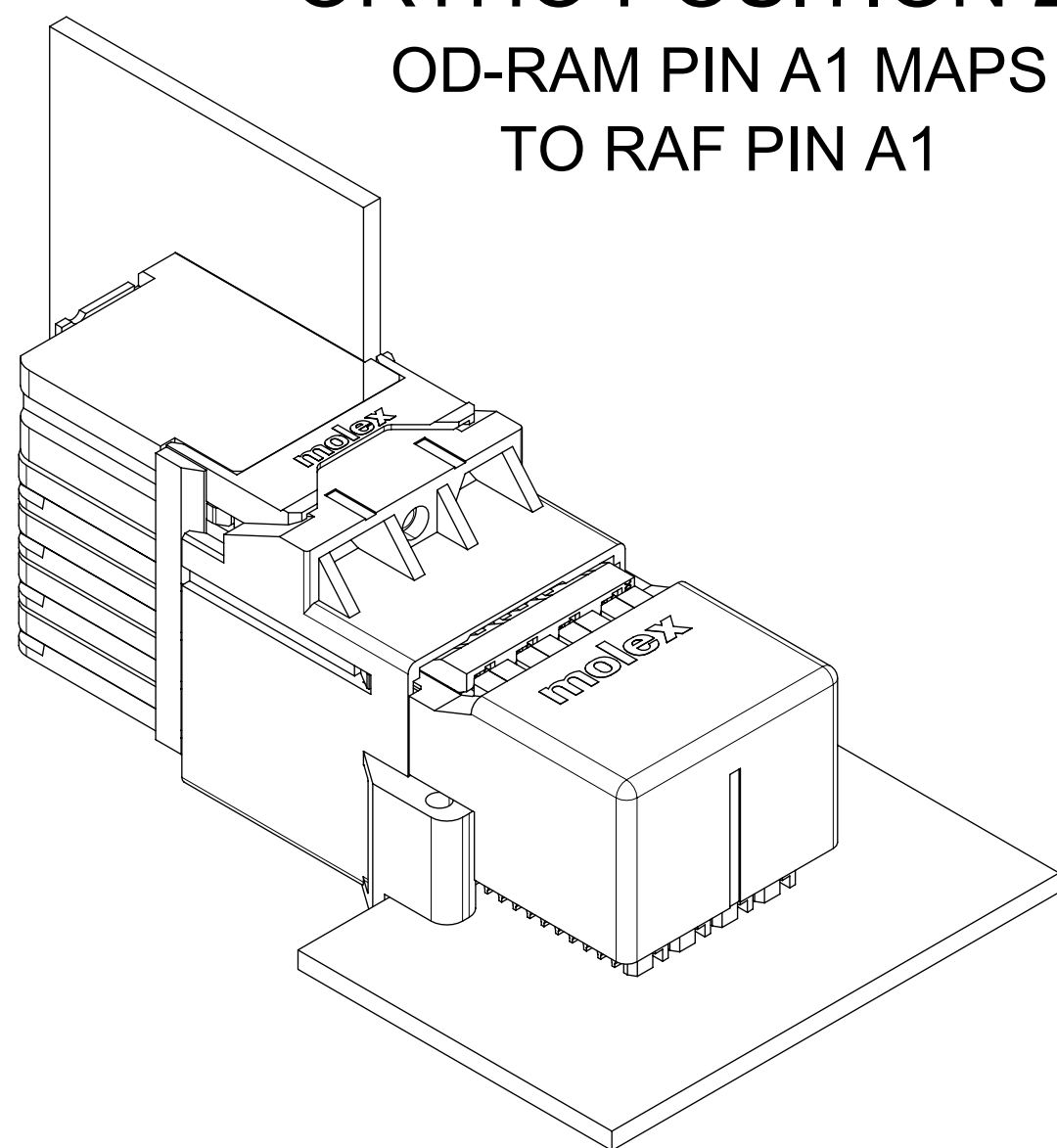
NOTE: PINOUTS SHOWN IN BALLOONS ARE GROUNDS.
GROUND PATHS ARE NOT DISCRETE CIRCUITS.

MATERIAL NUMBER	# OF COLUMNS	# OF DIFF PAIR	MATE POSITION	DIM P	PTH Ø
171574-7804	8	32	90	4.90	0.46±0.05
171574-7805	8	32	90	5.50	0.46±0.05
171574-7807	8	32	90	4.90	0.39±0.05
171574-7808	8	32	90	5.50	0.39±0.05

THIS DRAWING CONTAINS INFORMATION THAT IS PROPRIETARY TO MOLEX ELECTRONIC TECHNOLOGIES, LLC AND SHOULD NOT BE USED WITHOUT WRITTEN PERMISSION

DIMENSION UNITS	SCALE	CURRENT REV DESC: MIGRATED TO NX		 IMPACT ORTHOGONAL DIRECT 4 PAIR RAM 90 & 270 ASSY TOP GUIDE SALES DRAWING		
mm	NTS					
GENERAL TOLERANCES (UNLESS SPECIFIED)		EC NO: 705090		PRODUCT CUSTOMER DRAWING		
ANGULAR TOL	± 0.5°	DRWN: AAPPAROTHAKK	2018/09/03	DOCUMENT NUMBER		
4 PLACES	±	CHK'D: VINODM3	2022/02/17	SD-171574-0002		
3 PLACES	±	APPR: LZENG	2022/05/13	DOC TYPE	DOC PART	REVISION
2 PLACES	± 0.13	INITIAL REVISION:		PSD	001	B3
1 PLACE	± 0.25	DRWN: JMENDOZA	2012/04/13	MATERIAL NUMBER		
0 PLACES	±	APPR: JMENDOZA	2012/06/08	CUSTOMER		
DRAFT WHERE APPLICABLE MUST REMAIN WITHIN DIMENSIONS		THIRD ANGLE PROJECTION	DRAWING	SERIES	SHEET NUMBER	
			C-SIZE	171574	SEE TABLE	3 OF 4

ORTHO POSITION 270°
OD-RAM PIN A1 MAPS
TO RAF PIN A1




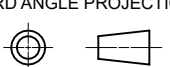
REFER TO MOLEX SALES DRAWING SD-76850-004
 FOR MATING RECEPTACLES.

ORTHO PIN MAPPING
POSITION 270° (OD RAM - RAF)

(A1-A1)	A2-B1	(A3-D1)	A4-E1	(A5-G1)	A6-H1	(A7-K1)	A8-L1
B1-A2	B2-C1	B3-D2	B4-F1	B5-G2	B6-J1	B7-K2	B8-M1
C1-B2	(C2-C2)	C3-E2	(C4-F2)	C5-H2	(C6-J2)	C7-L2	(C8-M2)
(D1-A3)	D2-B3	(D3-D3)	D4-E3	(D5-G3)	D6-H3	(D7-K3)	D8-L3
E1-A4	E2-C3	E3-D4	E4-F3	E5-G4	E6-J3	E7-K4	E8-M3
F1-B4	(F2-C4)	F3-E4	(F4-F4)	F5-H4	(F6-J4)	F7-L4	(F8-M4)
(G1-A5)	G2-B5	(G3-D5)	G4-E5	(G5-G5)	G6-H5	(G7-K5)	G8-L5
H1-A6	H2-C5	H3-D6	H4-F5	H5-G6	H6-J5	H7-K6	H8-M5
J1-B6	(J2-C6)	J3-E6	(J4-F6)	J5-H6	(J6-J6)	J7-L6	(J8-M6)
(K1-A7)	K2-B7	(K3-D7)	K4-E7	(K5-G7)	K6-H7	(K7-K7)	K8-L7
L1-A8	L2-C7	L3-D8	L4-F7	L5-G8	L6-J7	L7-K8	L8-M7
M1-B8	(M2-C8)	M3-E8	(M4-F8)	M5-H8	(M6-J8)	M7-L8	(M8-M8)

NOTE: PINOUTS SHOWN IN BALLOONS ARE GROUNDS.
 GROUND PATHS ARE NOT DISCRETE CIRCUITS.

MATERIAL NUMBER	# OF COLUMNS	# OF DIFF PAIR	MATE POSITION	DIM P	PTH Ø
171574-7834	8	32	270	4.90	0.46±0.05
171574-7835	8	32	270	5.50	0.46±0.05
171574-7837	8	32	270	4.90	0.39±0.05
171574-7838	8	32	270	5.50	0.39±0.05

THIS DRAWING CONTAINS INFORMATION THAT IS PROPRIETARY TO MOLEX ELECTRONIC TECHNOLOGIES, LLC AND SHOULD NOT BE USED WITHOUT WRITTEN PERMISSION									
DIMENSION UNITS	SCALE	CURRENT REV DESC: MIGRATED TO NX				 IMPACT ORTHOGONAL DIRECT 4 PAIR RAM 90 & 270 ASSY TOP GUIDE SALES DRAWING			
mm	NTS								
GENERAL TOLERANCES (UNLESS SPECIFIED)		EC NO: 705090				2018/09/03			
ANGULAR TOL ± 0.5°		DRWN: AAPPAROTHAKK				2022/02/17			
4 PLACES ±		CHK'D: VINODM3				2022/05/13			
3 PLACES ±		APPR: LZENG				2022/05/13			
2 PLACES ± 0.13		INITIAL REVISION:				DOCUMENT NUMBER			
1 PLACE ± 0.25		DRWN: JMENDOZA				SD-171574-0002			
0 PLACES ±		APPR: JMENDOZA				PSD 001 B3			
DRAFT WHERE APPLICABLE MUST REMAIN WITHIN DIMENSIONS		THIRD ANGLE PROJECTION		DRAWING	SERIES	MATERIAL NUMBER	CUSTOMER	SHEET NUMBER	
				C-SIZE	171574	SEE TABLE	GENERAL MARKET	4 OF 4	