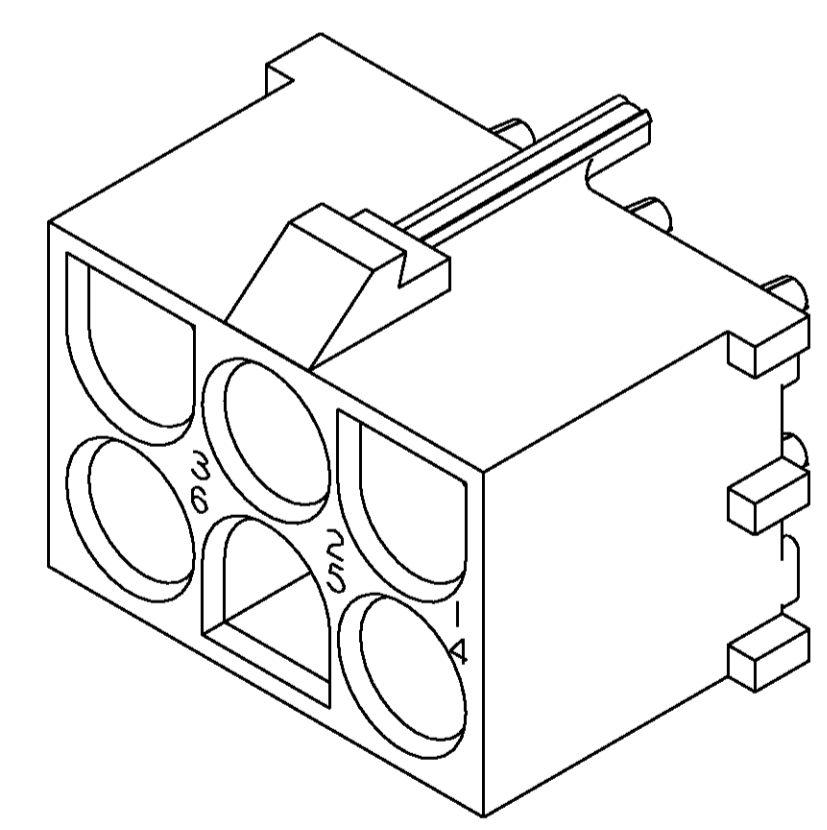
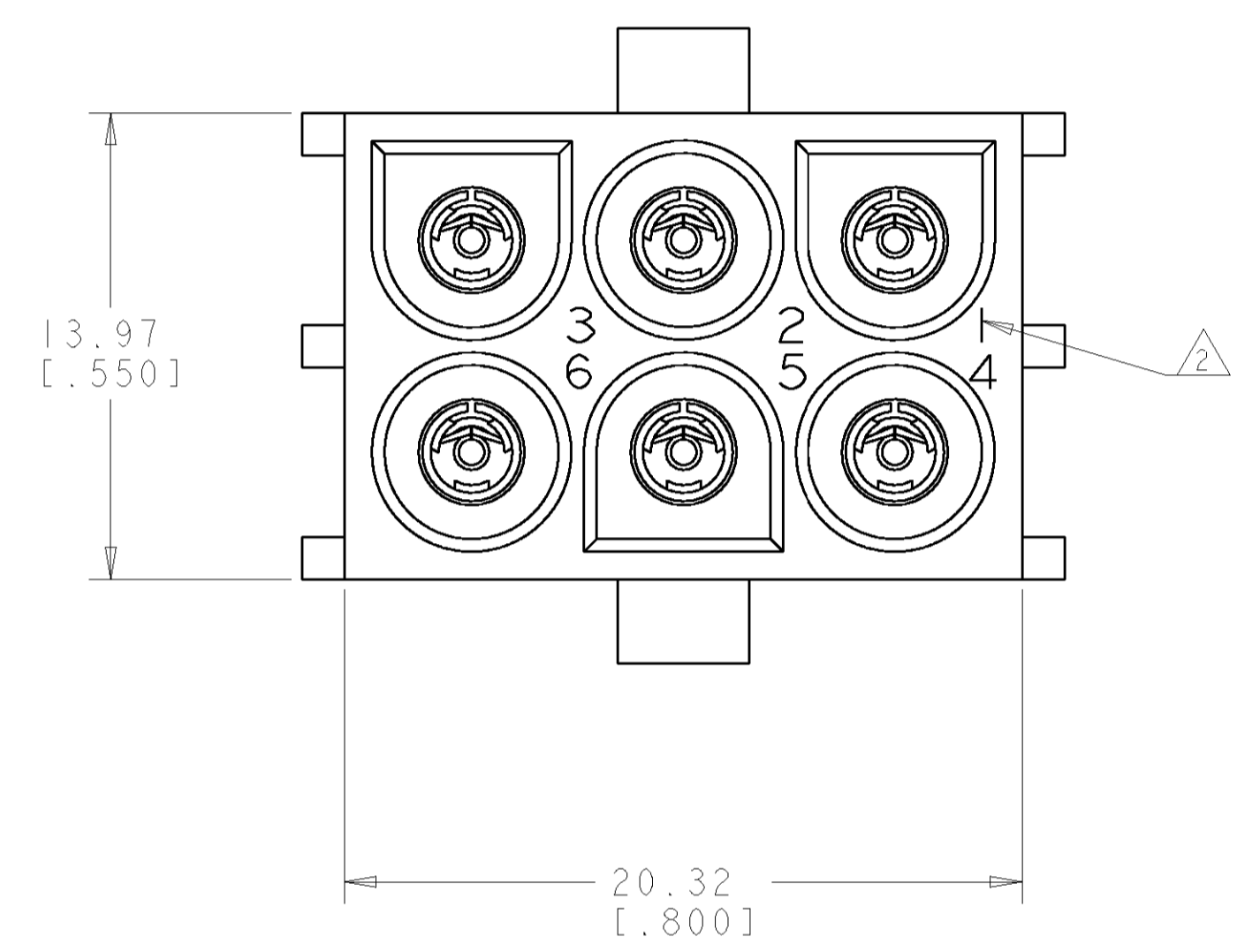
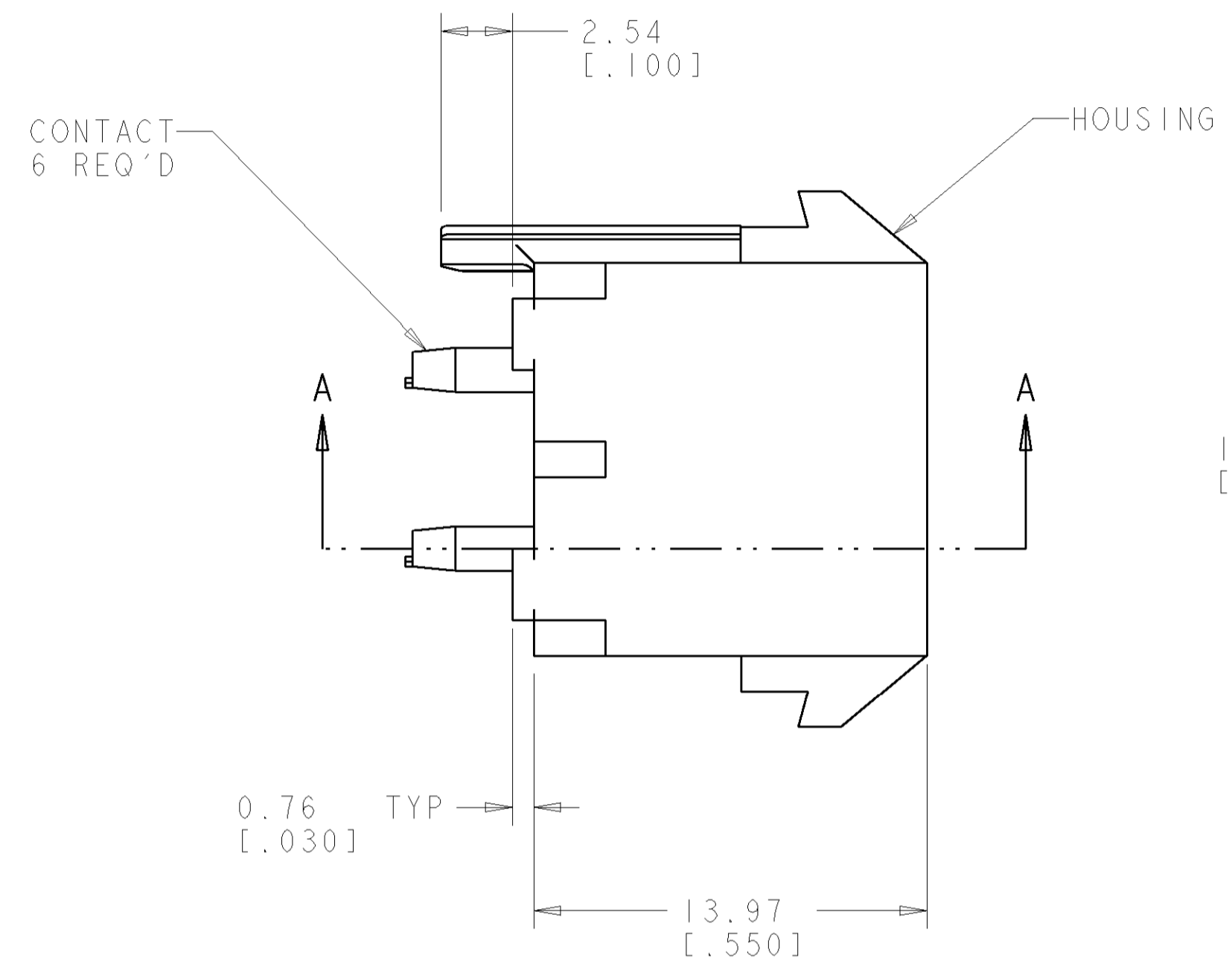
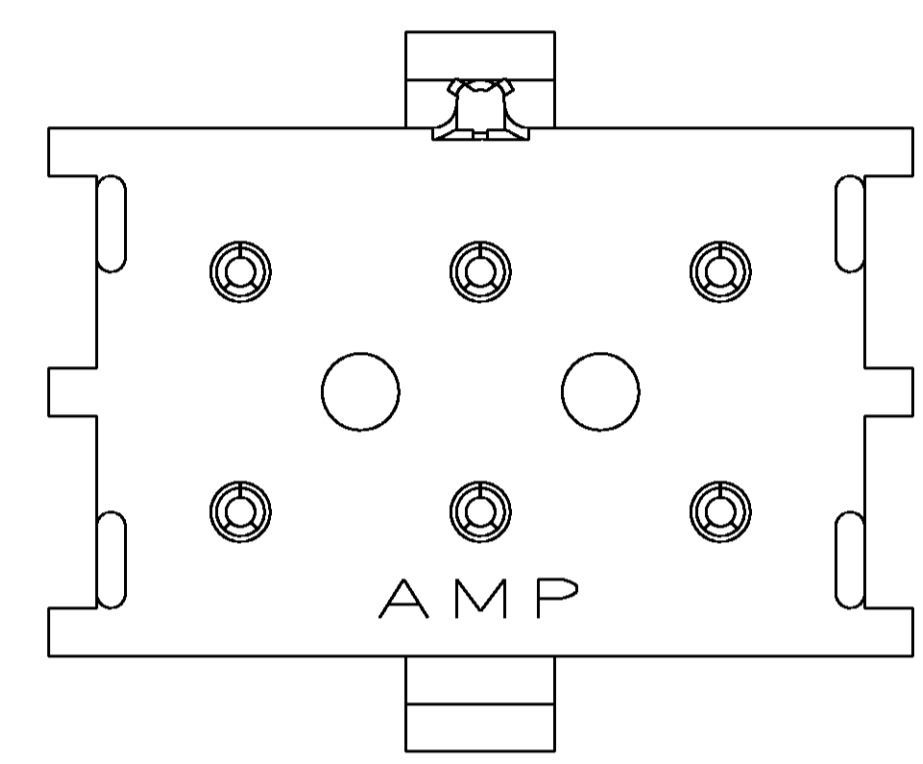
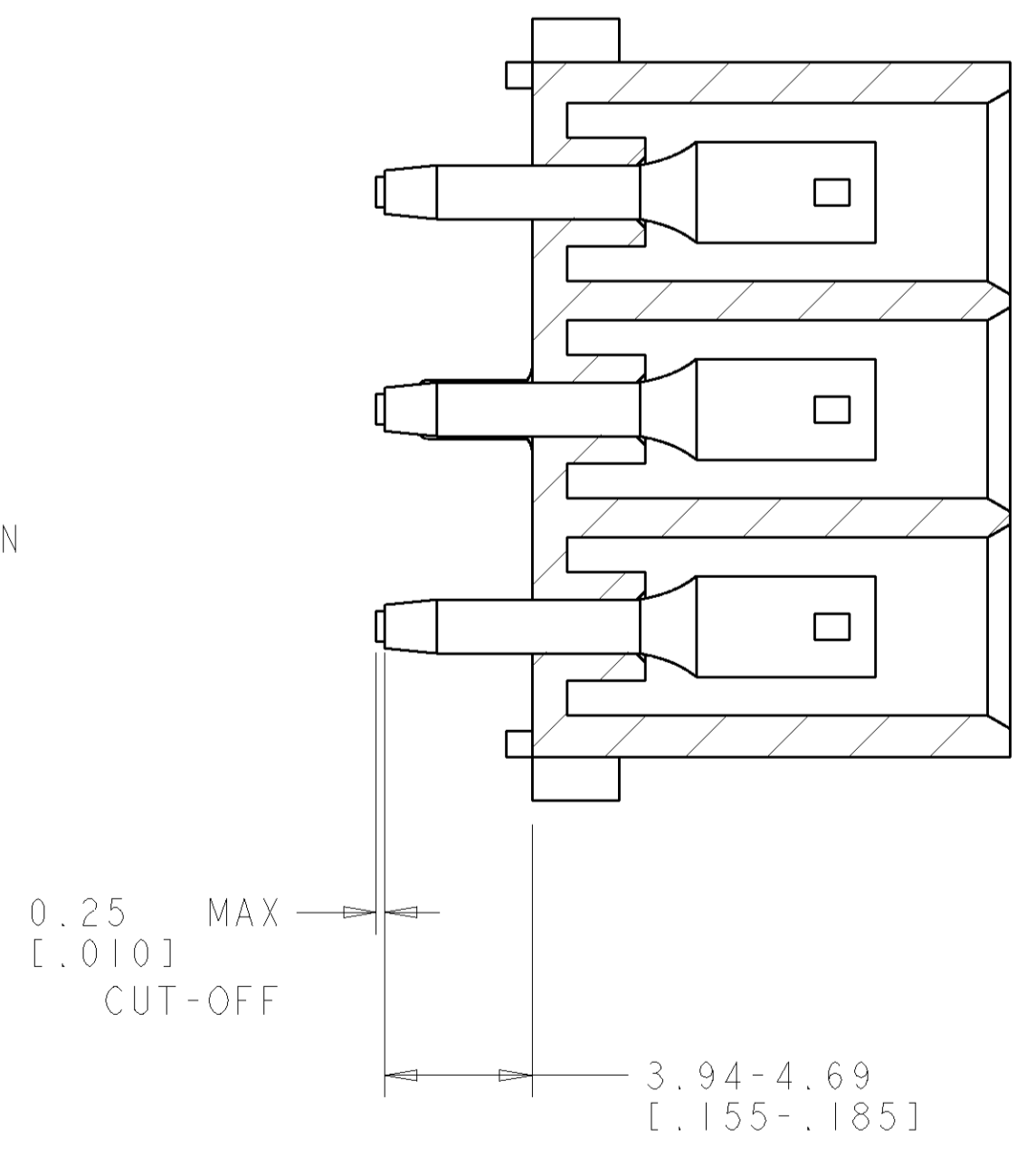
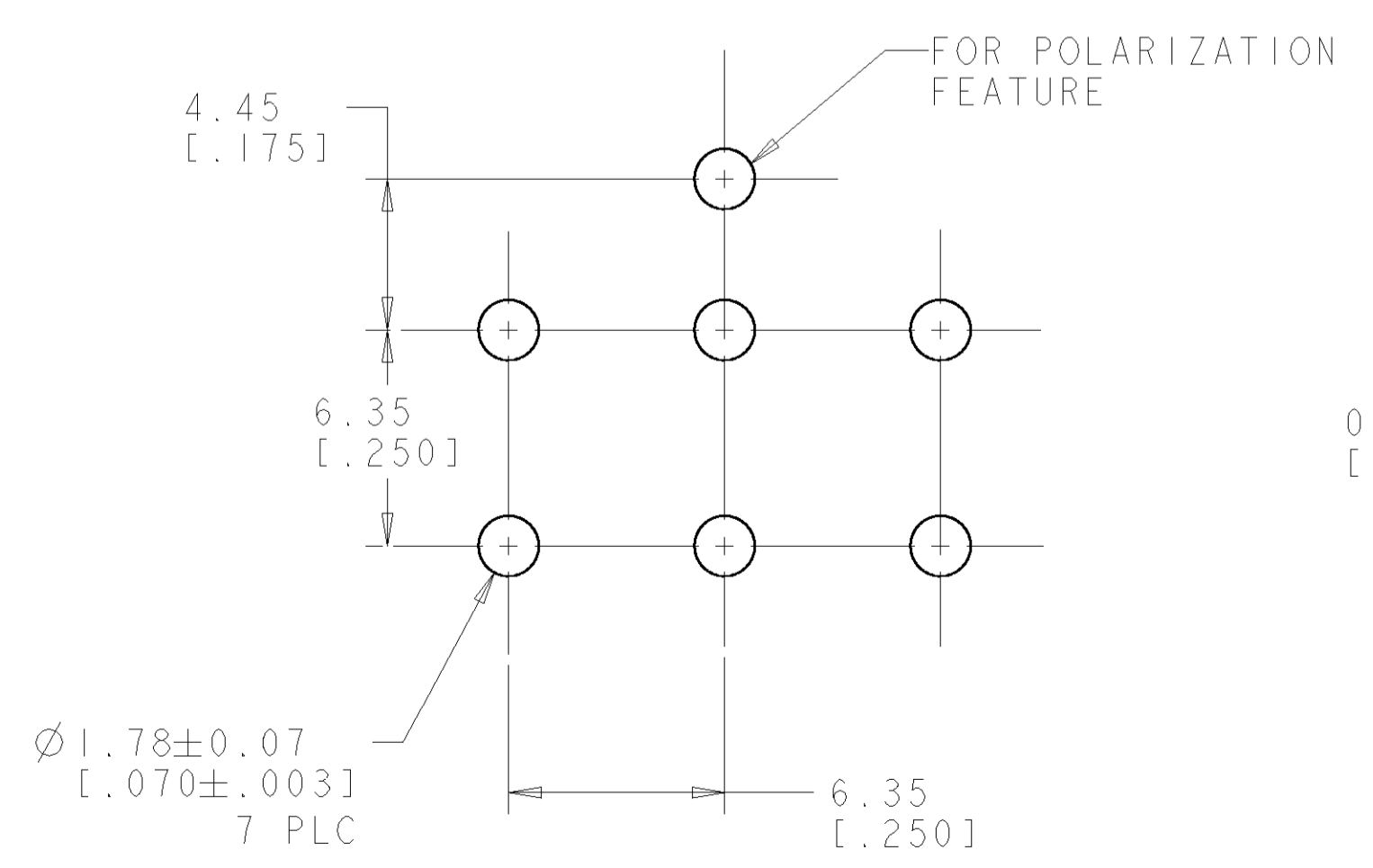


LOC		DIST		REVISIONS			
CM	00	P	LTR	DESCRIPTION	DATE	DWN	APVD
		0		REVISED PER 0638-0713-03	24-NOV-03	KW	SR

- PARTS COMPLY TO AMP SOLDERABILITY SPECIFICATION 109-11-3.
- CIRCUIT IDENTIFICATION CHARACTERS ARE ADJACENT TO THE INDICATED CAVITIES, BUT LOCATION AND ORIENTATION MAY DIFFER FROM PRINT.
- DIMENSIONS IN BRACKETS ARE IN INCHES.



SCALE 4:1



SECTION A-A

PHOSPOR BRONZE, PRE-TIN CONTACT MATERIAL AND FINISH		NYLON, UL94V-2, NATURAL HOUSING MATERIAL AND COLOR		1586212-1 PART NUMBER	
DIMENSIONS: mm [INCHES] 		TOLERANCES UNLESS OTHERWISE SPECIFIED: 0 PLC ± 1 PLC ± 2 PLC ±0.13 (0.005) 3 PLC ± 4 PLC ± ANGLES ±40° 30'		DWN R. WHITAKER 24-NOV-03 ENR S. RIDGILL 24-NOV-03 APVD S. RIDGILL 24-NOV-03 PRODUCT SPEC APPLICATION SPEC WEIGHT CUSTOMER DRAWING	Tyco Electronics Harrisburg, PA 17105-3608 NAME SOCKET HEADER ASSEMBLY, POLARIZED, 6 CIRCUIT, W/O DRAIN HOLES, UNIVERSAL MATE-N-LOK™ SIZE CAGE CODE DRAWING NO. RESTRICTED TO A1 00779 C=1586212 SCALE 5:1 SHEET 1 OF 1 REV 0

