



Contactor, 42DP,90A,3P,Open,24V Contactor, 42DP,90A,3P,Open,24V

|   |   |
|---|---|
| product brand name  | Class 42 DP Contactors  |
| design of the product   | Non-reversing Definite Purpose Contactor                          |
| special product feature   | Snap on auxiliary contacts, enclosed body design                  |
| <b>General technical data</b>   |   |
| weight [lb]   | 4.08 lb   |
| Height x Width x Depth [in]   | 5.02 × 3.5 × 4.39 in  |
| touch protection against electrical shock                               | Not finger-safe   |
| ambient temperature [°F]  |   |
| • during storage  | 158 °F  |
| • during operation  | 158 ... 158 °F  |
| ambient temperature   |   |
| • during storage  | 75 °C   |
| • during operation  | 70 ... 70 °C  |
| country of origin   | China   |
| number of poles for main current circuit                                | 3   |
| <b>Horsepower ratings</b>   |   |
| yielded mechanical performance [hp] for 3-phase AC motor                |   |
| • at 460/480 V rated value  | 50 hp   |
| • at 575/600 V rated value  | 50 hp   |
| <b>Contactor</b>  |   |
| size of contactor   | 90A   |
| number of NO contacts for main contacts                                 | 3   |
| operating voltage for main current circuit at AC at 60 Hz maximum       | 600 V   |
| operational current at AC at 600 V rated value                          | 360 A   |
| mechanical service life (operating cycles) of the main contacts typical | 250000  |
| <b>Auxiliary contact</b>  |   |
| number of NC contacts for auxiliary contacts                            | 2   |
| number of NO contacts for auxiliary contacts                            | 2   |
| number of NC contacts at contactor for auxiliary contacts               | 0   |
| number of NO contacts at contactor for auxiliary contacts               | 0   |
| number of total auxiliary contacts maximum                              | 2   |
| operational current of auxiliary contacts of contactor                  |   |
| • at AC at 600 V  | 10 A  |
| contact rating of auxiliary contacts of contactor according to UL       | 10A@600VAC (A600), 11A 1/2HP 125-250VAC, 0.6A 125VDC, 0.3A 250VDC |
| <b>Coil</b>   |   |
| control supply voltage  |   |
| • at AC at 50 Hz rated value  | 24 V  |
| • at AC at 60 Hz rated value  | 24 V  |

| Enclosure  |                                      |
|--|--------------------------------------|
| degree of protection NEMA rating of the enclosure  | Open device (no enclosure)           |
| Mounting/wiring  |                                      |
| mounting position  | vertical                             |
| fastening method   | Surface mounting and installation    |
| type of electrical connection for supply voltage line-side   | Box lug                              |
| tightening torque [lbf-in] for supply  | 60 ... 60 lbf-in                     |
| type of connectable conductor cross-sections at line-side for AWG cables single or multi-stranded                  | 1/0 AWG                              |
| type of electrical connection for load-side outgoing feeder  | Box lug                              |
| type of connectable conductor cross-sections for AWG cables for load-side outgoing feeder single or multi-stranded | 1/0 AWG                              |
| type of electrical connection of magnet coil   | Quick connects, Screw-type terminals |
| type of electrical connection for auxiliary and control circuit  | Quick Connects, Screw-type terminals |
| type of electrical connection at contactor for auxiliary contacts  | Screw-type terminals                 |
| Certificates/ approvals  |                                      |
| certificate of suitability   | cRUus, ARI 780 & 790, UL File E14900 |
| Further information  |                                      |

**Industrial Controls - Product Overview (Catalogs, Brochures,...)**

[www.usa.siemens.com/iccatalog](http://www.usa.siemens.com/iccatalog)

**Industry Mall (Online ordering system)**

<https://mall.industry.siemens.com/mall/en/us/Catalog/product?mifb=US2:42GE35AJ>

**Service&Support (Manuals, Certificates, Characteristics, FAQs,...)**

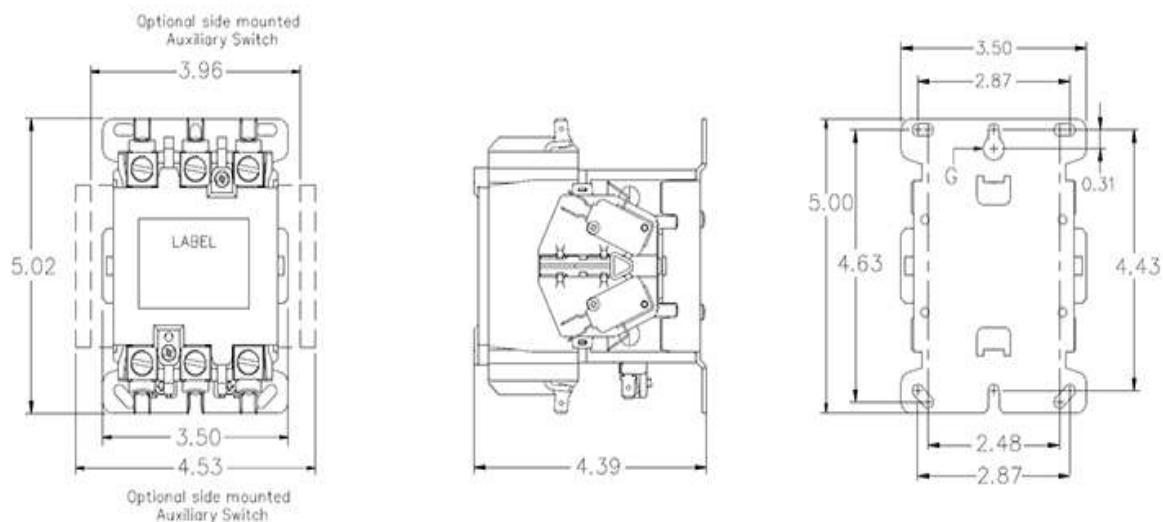
<https://support.industry.siemens.com/cs/US/en/ps/US2:42GE35AJ>

**Image database (product images, 2D dimension drawings, 3D models, device circuit diagrams, EPLAN macros, ...)**

[http://www.automation.siemens.com/bilddb/cax\\_de.aspx?mifb=US2:42GE35AJ&lang=en](http://www.automation.siemens.com/bilddb/cax_de.aspx?mifb=US2:42GE35AJ&lang=en)

**Certificates/approvals**

<https://support.industry.siemens.com/cs/US/en/ps/US2:42GE35AJ/certificate>



last modified:

5/25/2021