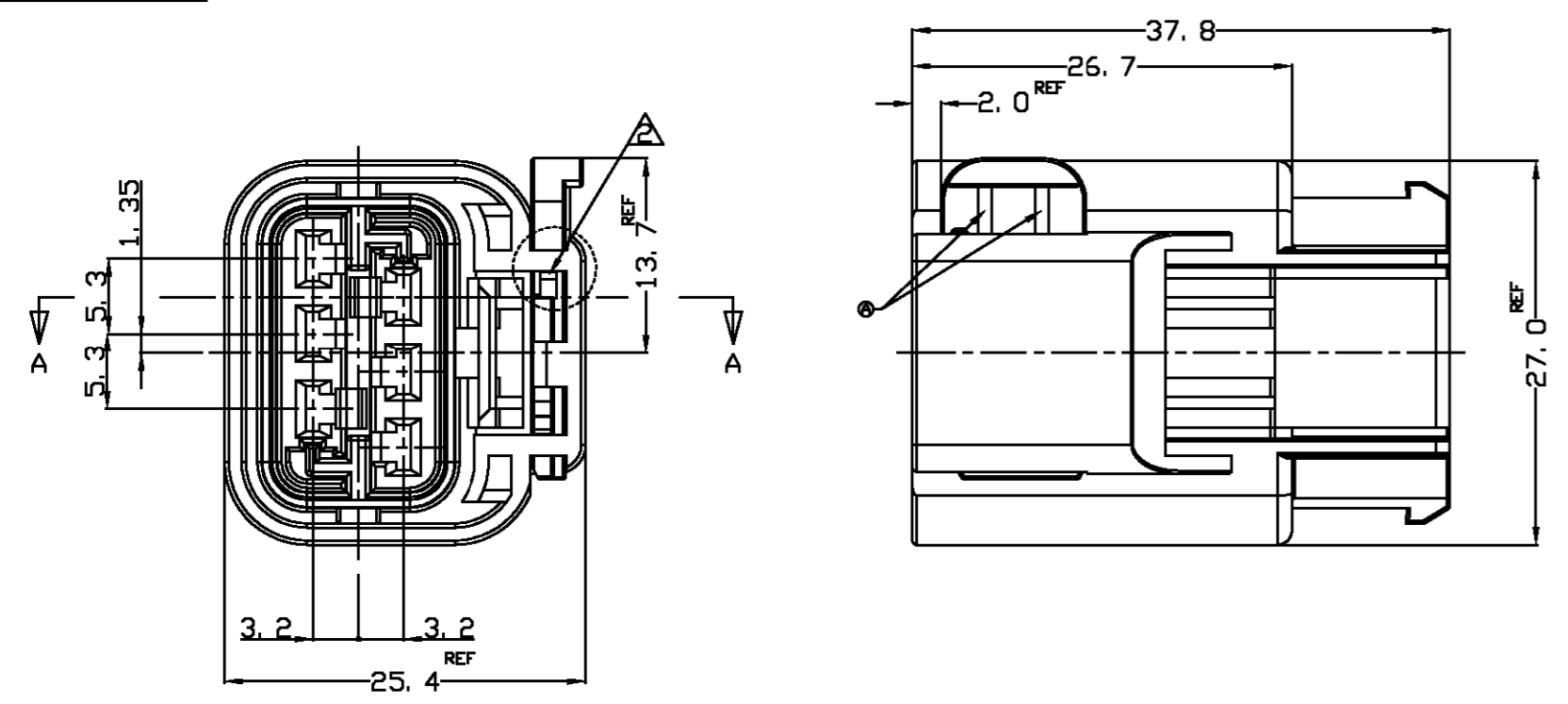


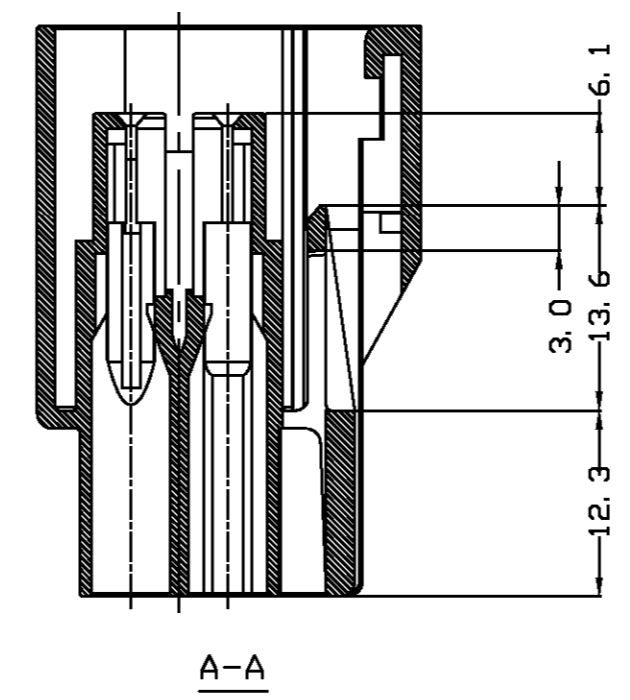
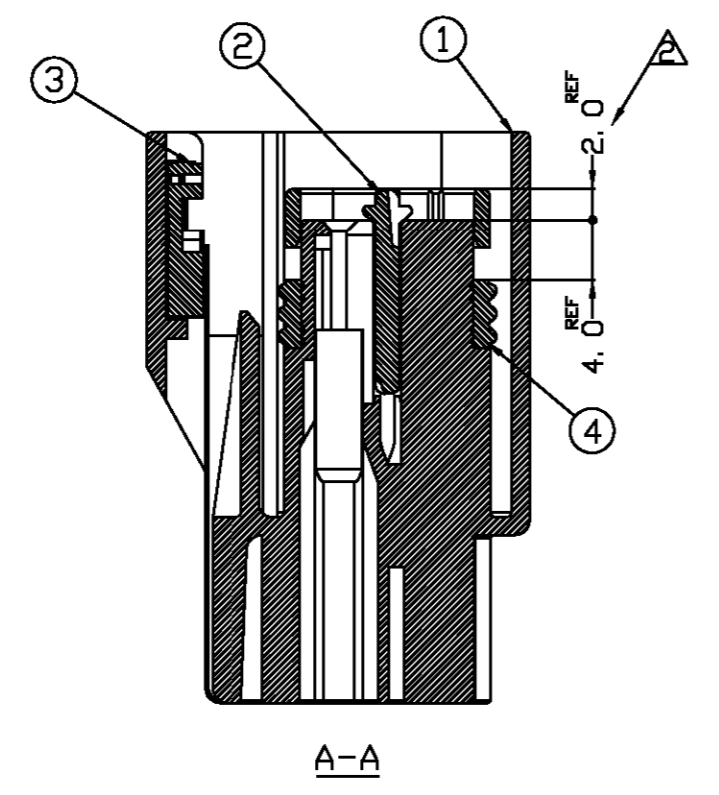
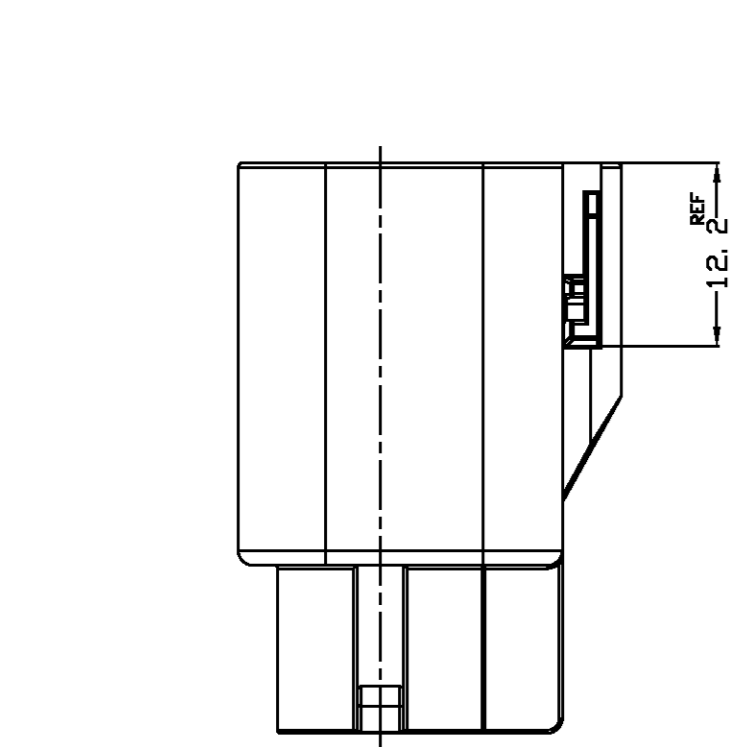
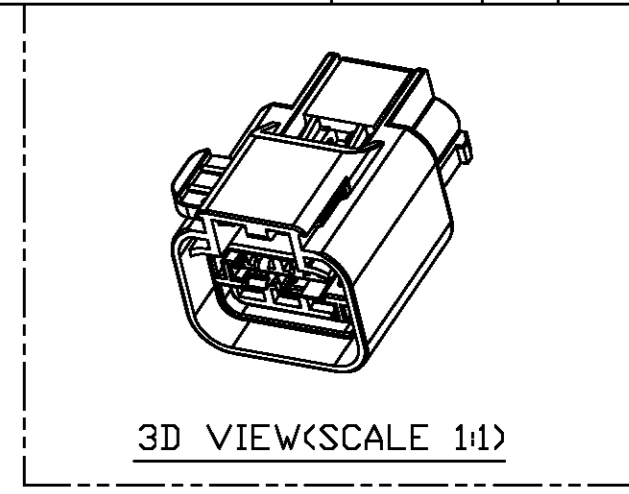
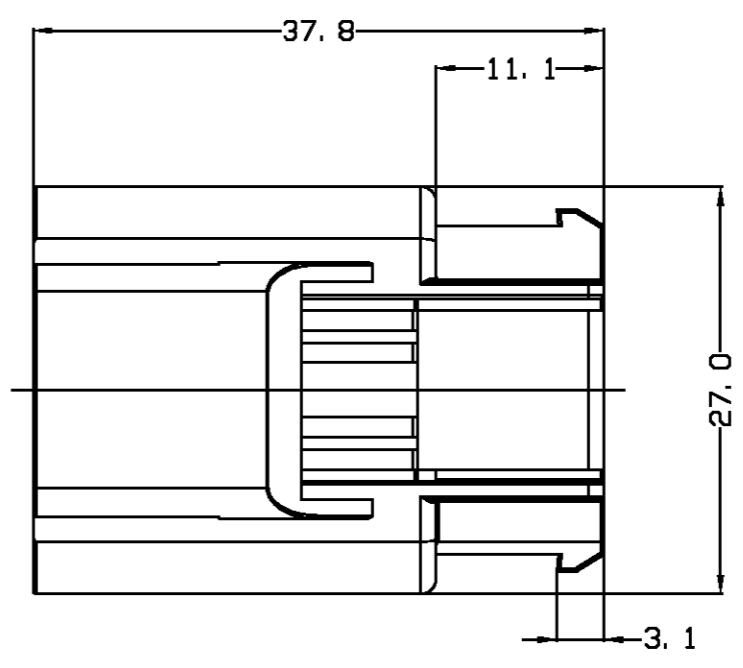
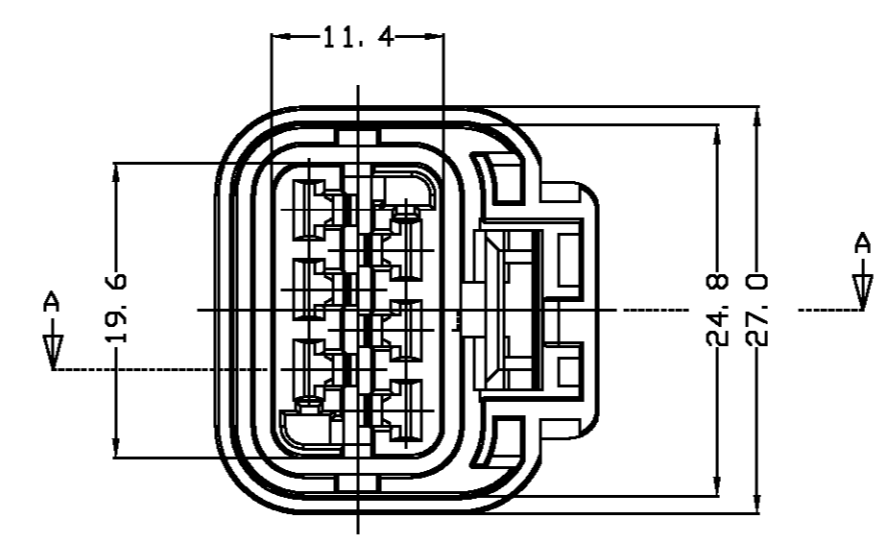
THIS DRAWING IS UNPUBLISHED.
 RELEASED FOR PUBLICATION .19
 © COPYRIGHT 19 BY AMP INCORPORATED. ALL RIGHTS RESERVED.

LOC		DIST		REVISIONS			
P	LTR	DESCRIPTION	DATE	BY	APVD		
	□	RELEASED(FC00-0035-02)	25/FEB/02	MS	CS		
	A	REVISED(FC00-0037-04)	05/MAR/04	MS	CS		

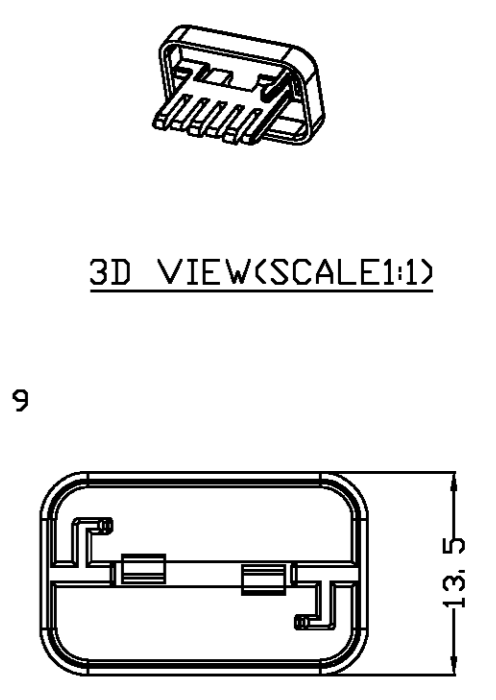
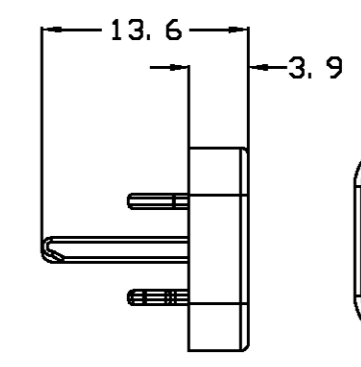
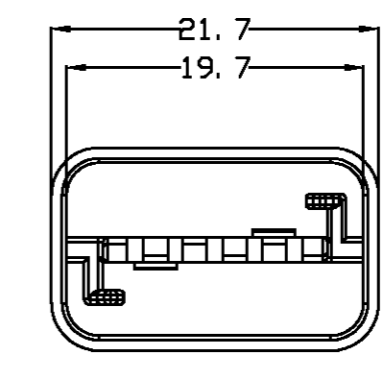
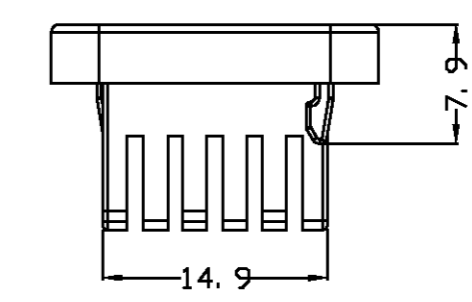
ASSEMBLY
SCALE 2:1



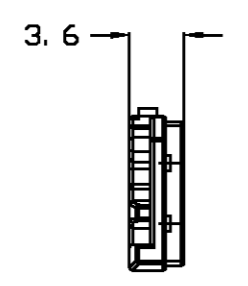
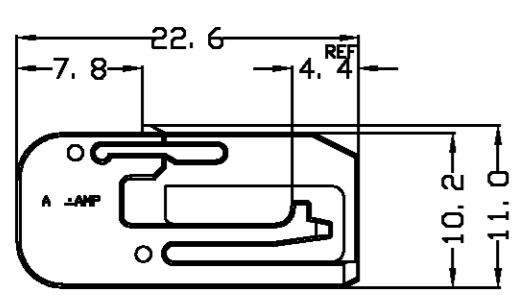
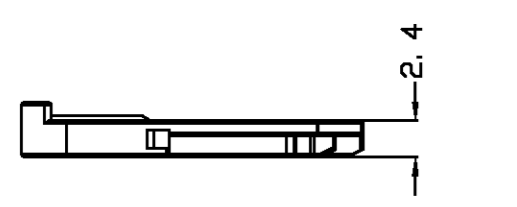
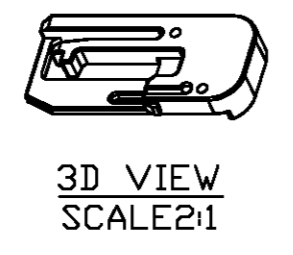
1. PLUG HSG(SCALE 2:1)



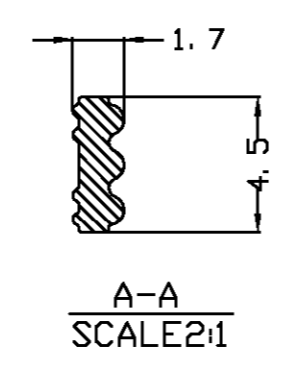
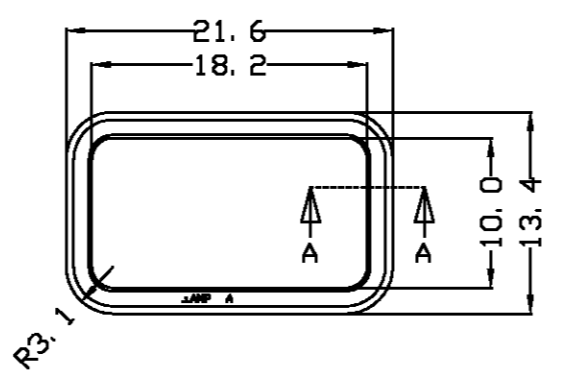
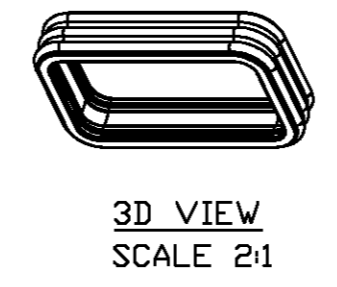
2. DBL HSG(SCALE 2:1)



3. CPA PLATE(SCALE 2:1)



4. INNER SEAL(SCALE 2:1)



- NOTE:
 1. GENERAL TOLERANCE IS ±0.3
 2. CONDITION OF DELIVERY :
 DBL & CPA IN 1st. LOCKING POSITION.
 3. APPLIED RECEPTACLE CONTACT P/N:

CONTACT	JPT TERMINAL		
Part NO.	927772-3	927770-3	927766-3
WIRE SIZE(mm ²)	0.3	0.5-1.0	1.5-2.5

4. APPLIED SEAL RETAINER P/N : 936162-1

NO.	DESCRIPTION	P/N	MATERIAL	COLOR
4	INNER SEAL	368967	SILICON	RED ORANGE
3	CPA PLATE	936042	PBT GF20	YELLOW ORANGE
2	DBL HSG	936161	PBT GF10	BLACK
1	PLUG HSG	936160	PBT GF20	CLAY BROWN

THIS DRAWING IS A CONTROLLED DOCUMENT FOR AMP INCORPORATED. IT IS SUBJECT TO CHANGE AND THE CONTROLLING ENGINEERING ORGANIZATION SHOULD BE CONTACTED FOR THE LATEST REVISION.		DIVN : MS HER
DIMENSIONS: MM		CHK : BM JANG
TOLERANCES UNLESS OTHERWISE SPECIFIED: 0 <XX<10 ± 0.2 10<XX<30 ± 0.25 30<XX ± 0.3 ANGLES ± 3°		APVD : CS LEE
3rd ANGLE PROJECTION		PRODUCT SPEC
MATERIAL SEE TABLE		APPLICATION SPEC
FINISH		WEIGHT

tyco Electronics		AMP KOREA, kyungsan, korea	
NAME FUEL PUMP 6P CONN'R ASS'Y(JPT)			
SIZE A2	CAGE CODE 00779	DRAWING NO 936159	
SCALE 2:1	SHEET 1 OF 1	REV A	