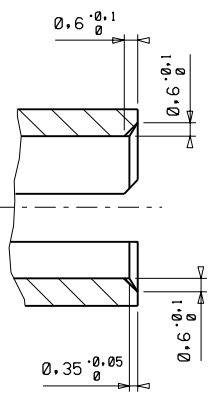
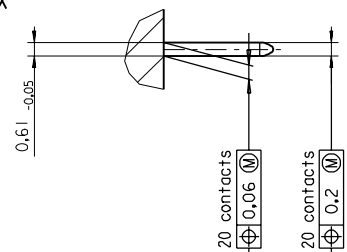


PART NO.
DWG. NO.

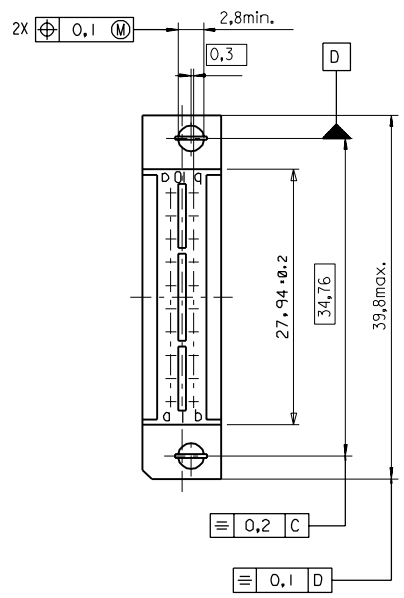
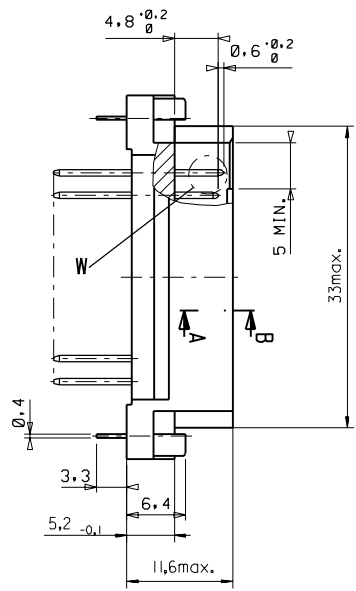
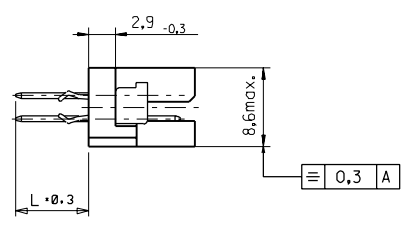
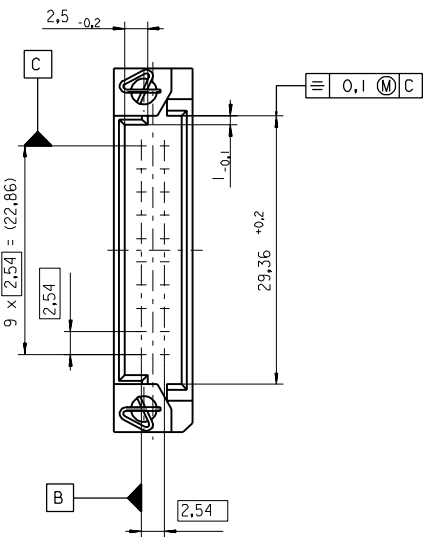
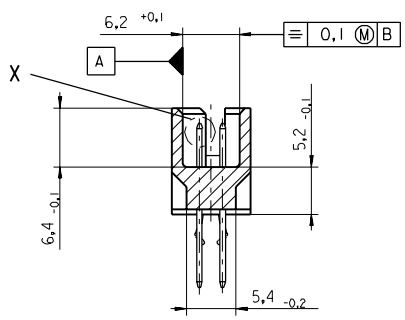
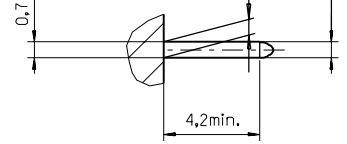
Section A - B
5:1



View X
5:1



View W
5:1



FIRST ANGLE PROJECTION REVISE ONLY ON CAD SYSTEM SH. REV.

first release see ECN No. 1887	REVISIONS FOR PREVIOUS REVISIONS SEE MRI LIST	UNLESS OTHERWISE SPECIFIED TOLERANCES: ANGULAR ±2°	DRWG BY	SIGN	CAD/CAM PROJECT NAME	THIS DRAWING CONTAINS INFORMATION THAT IS PROPRIETARY TO MOLEX INC. & SHOULD NOT BE USED WITHOUT WRITTEN PERMISSION
		INCH METRIC	Ca		8501000 611	
	3 PLACE ± . ±		CHK'D BY	SIGN	TITLE	
	2 PLACE ± . ±		KN		20 pos. Male connector acc. DIN 41612 style Q/3 Dimensions	
	1 PLACE ± . ±		APP'D BY	SIGN	SHEET NO. DATE	
	DRAFT WHERE APPLICABLE MUST REMAIN WITHIN DIMENSIONS				1 OF 95/06/08	
	DESIGN DIMENSION <input checked="" type="checkbox"/> MM		SCALE		PART NO. DWG NO. SIZE	
	EQUIVALENT DIMENSION <input type="checkbox"/> MM		2:1		SDA-85011-0001 B	
	IF TWO DIMENSIONS ARE SHOWN THE UPPER IS THE DESIGN DIMENSION, LOWER IS SECONDARY					

View on mating side


△	A	A	A	A	A	A	A	A	A
○	A	A	A	A	A	A	A	A	A

▽ ◀ ▶ ↻ ↺ ↻ ↺ ↻ ↺

A = 20 standard contacts L=2,9

Marking	Standard
Performance level	G1/0 = Contact area perform. level I / Termination tin
Flux proof	no
Fixing clip	no
Lubrication	yes
Dimensions	SDA-85011-0001 sht.1
Technical Data	PS-85013-0001

A	G1/0	a1-10	b1-10
Contact symbol	Perform. level	Contact position number	

see ECN No. 2204 96/07/18 CD	FOR PREVIOUS REVISIONS SEE MRI LIST		UNLESS OTHERWISE SPECIFIED TOLERANCES: ANGULAR ± 2°	DRWG BY	SIGN	CAD/CAM PROJECT NAME	REV.
	LTR	REVISIONS	INCH	Cd	Cd	THIS DRAWING CONTAINS INFORMATION THAT IS PROPRIETARY TO MOLEX INC. & SHOULD NOT BE USED WITHOUT WRITTEN PERMISSION	SH.
			3 PLACE ± °	CHK'D BY	SIGN	TITLE	SHEET NO.
			2 PLACE ± °	KN	SIGN	20 pos. Male connector acc. DIN 41612 style Q/3 contacts arrangement	DATE
			1 PLACE ± °	APP'D BY	SIGN	 MOLEX EUROPE	1 OF 1
			DRAFT WHERE APPLICABLE MUST REMAIN WITHIN DIMENSIONS		SCALE		95/06/21
			DESIGN DIMENSION	<input type="checkbox"/> MM			
			EQUIVALENT DIMENSION	<input type="checkbox"/> IN.			
			IF TWO DIMENSIONS ARE SHOWN THE UPPER IS THE DESIGN DIMENSION, LOWER IS SECONDARY				
						PART NO.	SIZE
						85011-0086	A
						SDA-85011-0086	