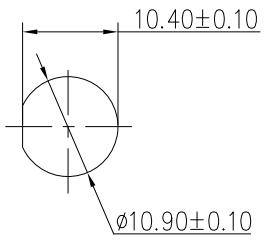
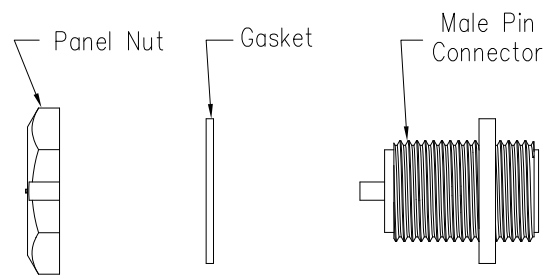
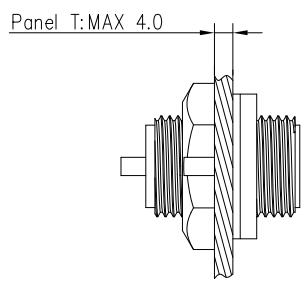
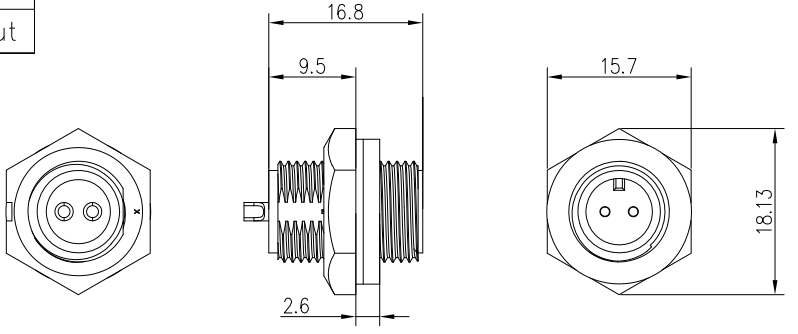


THIS INFORMATION IS CONFIDENTIAL AND IS DISCLOSED TO YOU ON CONDITION THAT NO FURTHER DISCLOSURE IS MADE BY YOU TO OTHER THAN CHOGORI PERSONNEL WITHOUT AUTHORIZATION FROM CHOGORI CORP.

REV.	ECN NO.	DESCRIPTION	SIGN	DATE
C1	N/A	INITIAL DRAWING	Victory	2020/04/16

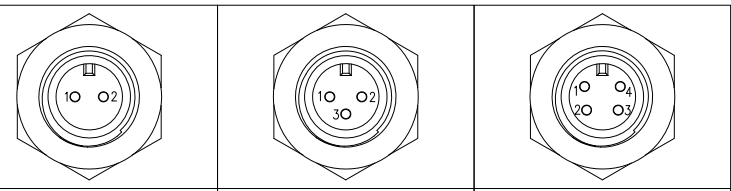


Recommended Panel Cut-out



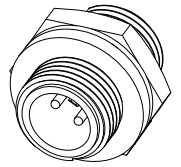
21XXX515-03  
Pin Number

- Specification:
- 1.Operation Temperature: -45°C~105°C.
  - 2.Insulation Resistance:100MΩ at DC 500V.
  - 3.Contact Resistance:<10mΩ .
  - 4.Withstand Voltage:1500V AC.
  - 5.Operating Current:5A.
  - 6.Operating Voltage:AC 110V.
  - 7.Waterproof Rate:IP67(Mated).
  - 8.Connector:Nylon+GF, Black.
  - 9.Panel Nut:Nylon, Black.
  - 10.Gasket:Silicon, Gray.
  - 11.Male Pin:Copper Alloy,Gold Plated.
  - 12.Torque Rate:0.5~0.7N •m.
  - 13.RoHS Compliant.
  - 14.UL Compliant: 2Pin~3Pin.
  - 15.Mating Cap P/N: 806-00028-00



2 Pin	3 Pin	4 Pin
P/N: 21002515-03	P/N: 21003515-03	P/N: 21004515-03

Pin Assignments Front View



UNIT: mm		DESCRIPTION Mini Series Screw Type Rear Mount With Male Pin	
TOLERANCE	.X ±0.25 .XX ±0.15 .XXX ±0.05 ANGLES ±1°	SCALE: 4:5	SHEET 1 OF 1
REV. C1	SIZE A4	*: Inspection Item	

PART NO	21XXX515-03	DRAWN BY	Victory	DATE	2020/04/16
DWG NO		CHECKED BY	Ivan	DATE	2020/04/16
CUSTOMER		APPROVED BY	Panson	DATE	2020/04/16