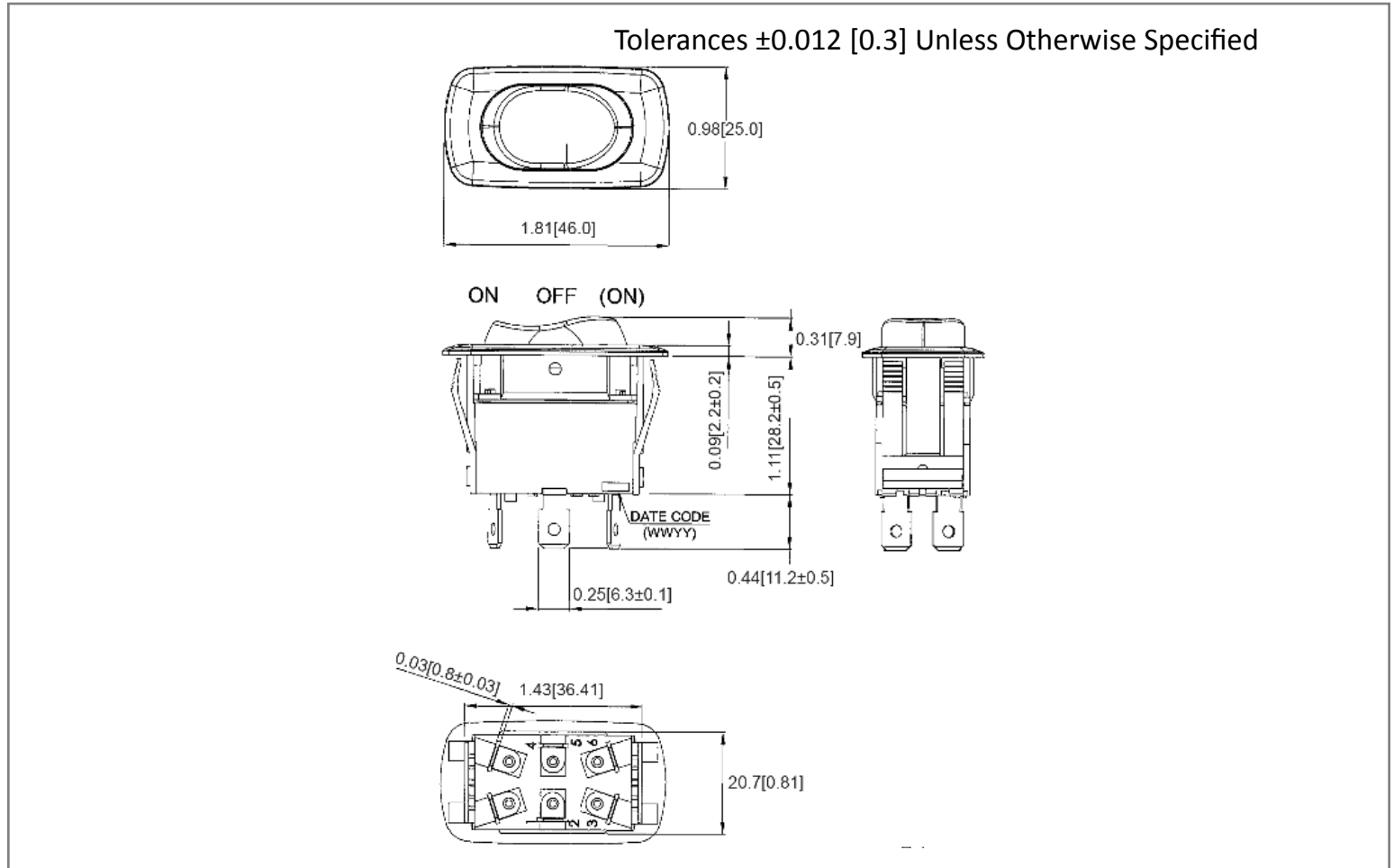
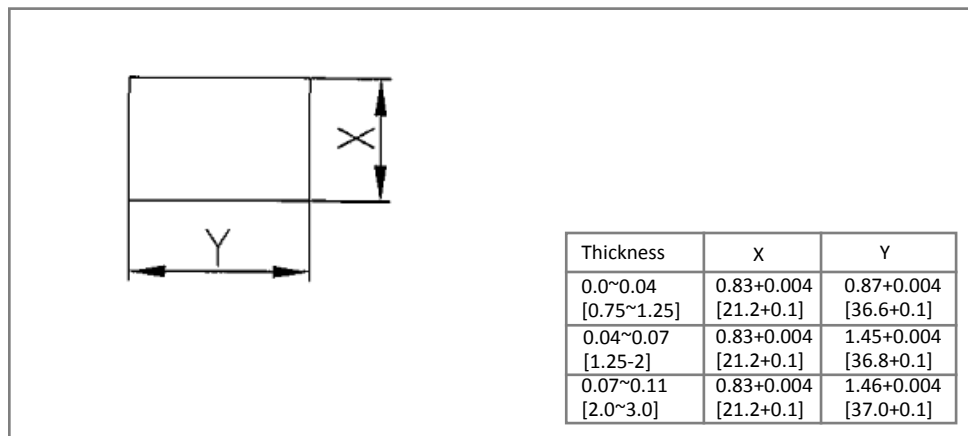


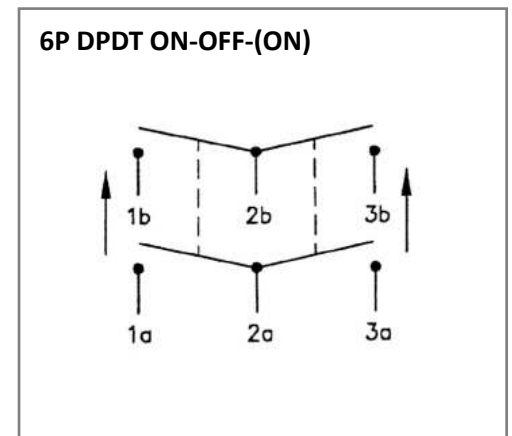
Mechanical Dimensions: Inches [mm]



Mounting Hole



Circuit Diagram



Electrical Specifications

Rating	21A 14V DC, 10A 28V DC
Contact Resistance	50m ohm Max.
Insulation Resistance	DC 500V 100M ohm Min
Dielectric Strength	AC 1500V 1 minute
Operation Temperature	-30°C ~ 85°C

Material Specifications

Frame	Black, Nylon 66
Actuator	Black, Nylon 66
Waterproof	IP56

Rocker Switch

SRA1-2H-DC-1-NN



Rev	Date of issue	Revision Notes	Designed	Approved
A	04-11-2023	Initial Drawing	RC	OF