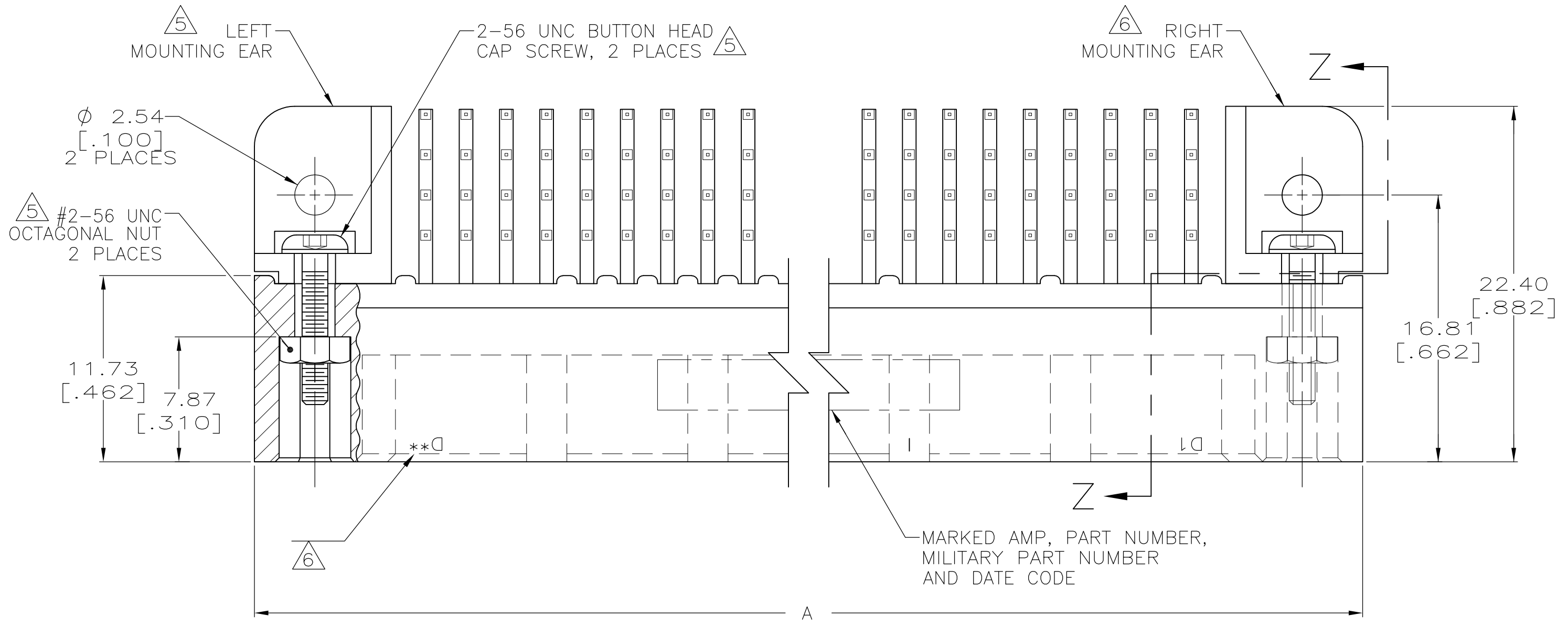
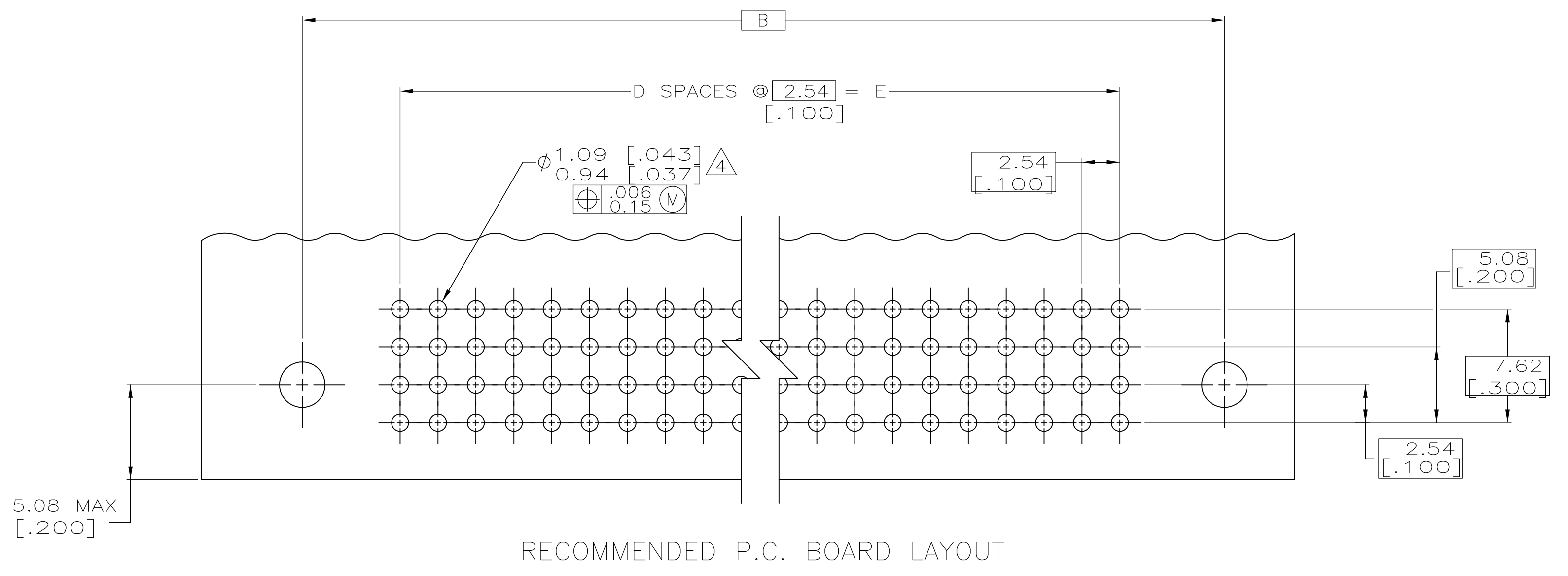
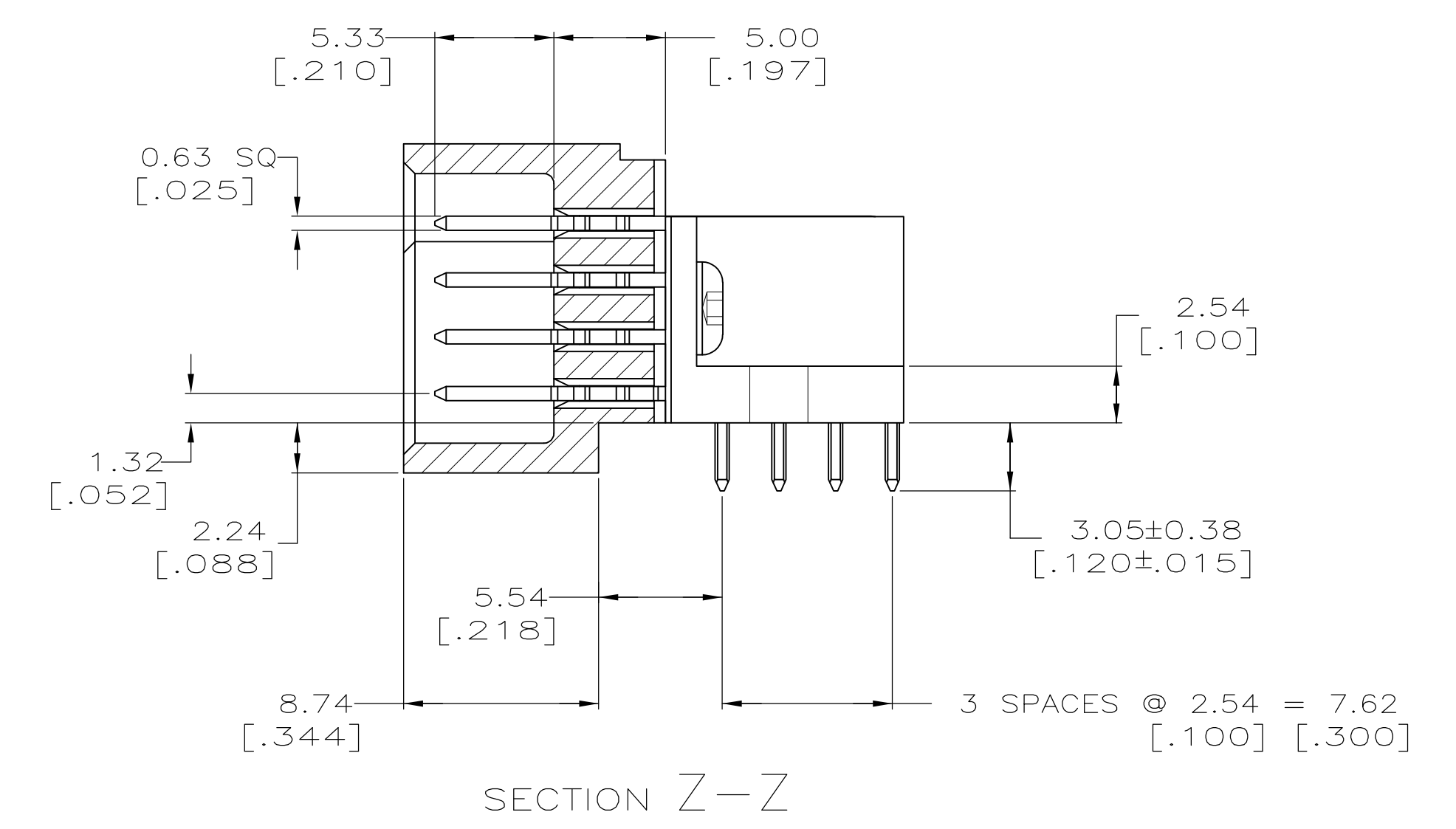
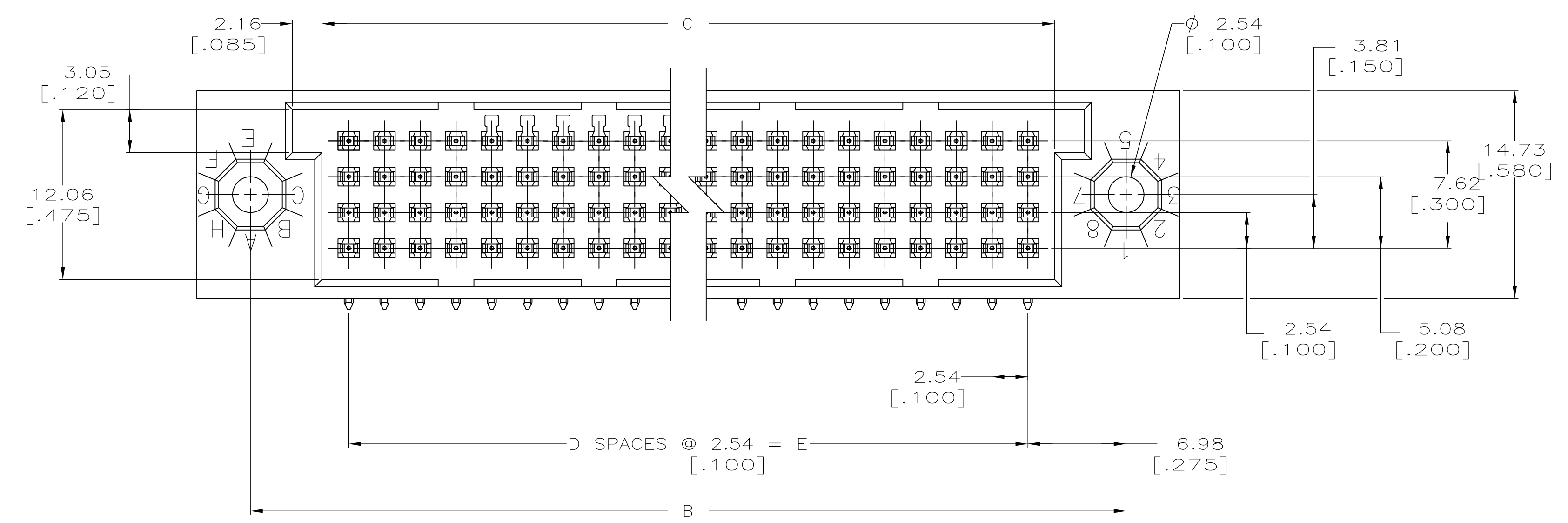


REVISONS		DATE	BY	APPV
P	LTR	DESCRIPTION		
C1		REVISED PER ECO-11-016892	24NOV11	KH AS



- 1 HOUSING MATERIAL: THERMOPLASTIC, COLOR-NATURAL.
- 2 CONTACT MATERIAL: PHOSPHOR BRONZE.
- 3 CONTACT FINISH: .00127-.00254 [.000050-.000100] NICKEL UNDERPLATE ALL OVER; .00127 [.000050] GOLD PLATE IN CONTACT AREA, TIN-LEAD PLATED SOLDER TAILS.
- 4 RIGHT ANGLE PIN RECOMMENDED P.C. BOARD HOLE SIZES ARE 0.94-1.09 [.037-.043]; RECOMMENDED PAD DIA IS 1.52 [.060].
- 5 MOUNTING EARS AND HARDWARE PURCHASED SEPARATELY, KIT PART NUMBER 533050-1.
- 6 ** = TOTAL NUMBER OF POSITIONS PER ROW.



MILITARY PART NUMBER	E	D	C	B	A	NUMBER OF POSITIONS	PART NUMBER
-	111.75 [4.400]	44	115.57 [4.550]	125.73 [4.950]	133.35 [5.250]	180	1-533937-3
-	86.36 [3.400]	34	90.17 [3.550]	100.33 [3.950]	107.95 [4.250]	140	1-533937-2
-	73.66 [2.900]	29	77.47 [3.050]	87.63 [3.450]	95.25 [3.750]	120	1-533937-1
M55302/181-52	187.96 [7.400]	74	191.77 [7.550]	201.93 [7.950]	209.55 [8.250]	300	1-533937-0
M55302/181-48	175.26 [6.900]	69	179.07 [7.050]	189.23 [7.450]	196.85 [7.750]	280	533937-9
M55302/181-40	162.56 [6.400]	64	166.37 [6.550]	176.53 [6.950]	184.15 [7.250]	260	533937-7
M55302/181-36	149.86 [5.900]	59	153.67 [6.050]	163.83 [6.450]	171.45 [6.750]	240	533937-6
M55302/181-32	137.16 [5.400]	54	140.97 [5.550]	151.13 [5.950]	158.75 [6.250]	220	533937-5
M55302/181-28	124.46 [4.900]	49	128.27 [5.050]	138.43 [5.450]	146.05 [5.750]	200	533937-4
M55302/181-20	99.06 [3.900]	39	102.87 [4.050]	113.03 [4.450]	120.65 [4.750]	160	533937-3
M55302/181-12	88.74 [3.100]	31	82.55 [3.250]	92.71 [3.650]	100.33 [3.950]	128	533937-2
M55302/181-04	60.96 [2.400]	24	64.77 [2.550]	74.92 [2.950]	82.55 [3.250]	100	533937-1

THIS DRAWING IS A CONTROLLED DOCUMENT.

DIMENSIONS: mm [INCHES]

TOLERANCES UNLESS OTHERWISE SPECIFIED:

0 PL	±	-
1 PL	±	-
2 PL	±	-
3 PL	±	0.13 [.005]
4 PL	±	-
ANGLES	±	-

MATERIAL: 1 2 3

FINISH: 3

THIS DRAWING IS A CONTROLLED DOCUMENT. DIN T. SHUEY 6-29-93 9-1-93 G. SKIPPER

PRODUCT SPEC: PIN ASSEMBLY, HDI.4 ROW, RIGHT ANGLE, W/3.05 [.120] LONG SOLDER TAIL POSTS AND 0.00127 [.000050] GOLD PLATE

APPLICATION SPEC: -

SIZE: A1

WEIGHT: -

CAGE CODE: 00779

DRAWING NO: 533937

RESTRICTED TO: -

CUSTOMER DRAWING

SCALE: 4:1

SHEET: 1 OF 1

REV: C1