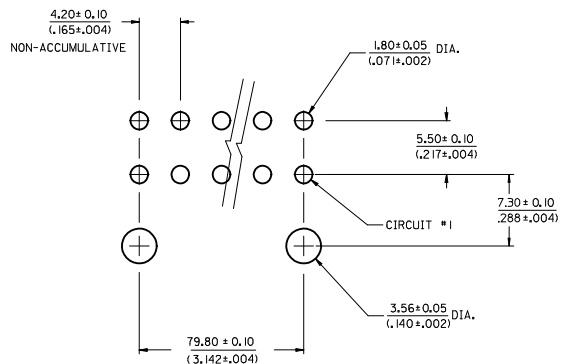
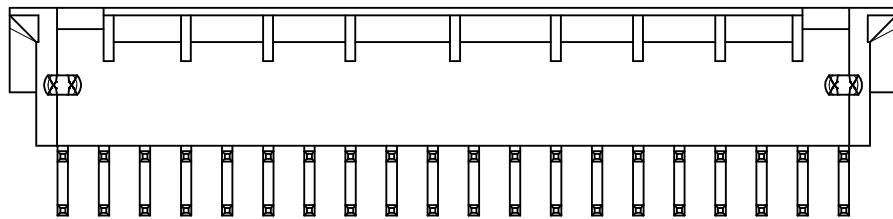
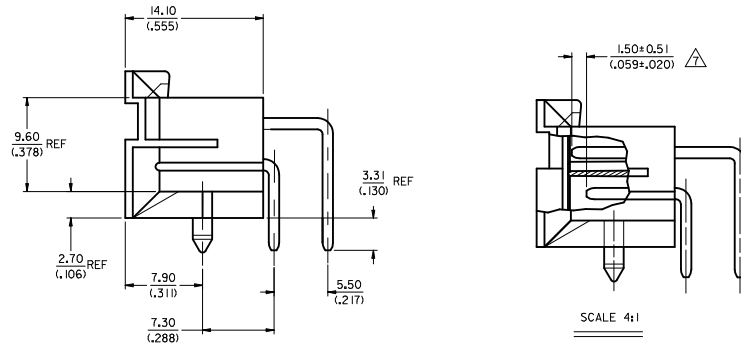
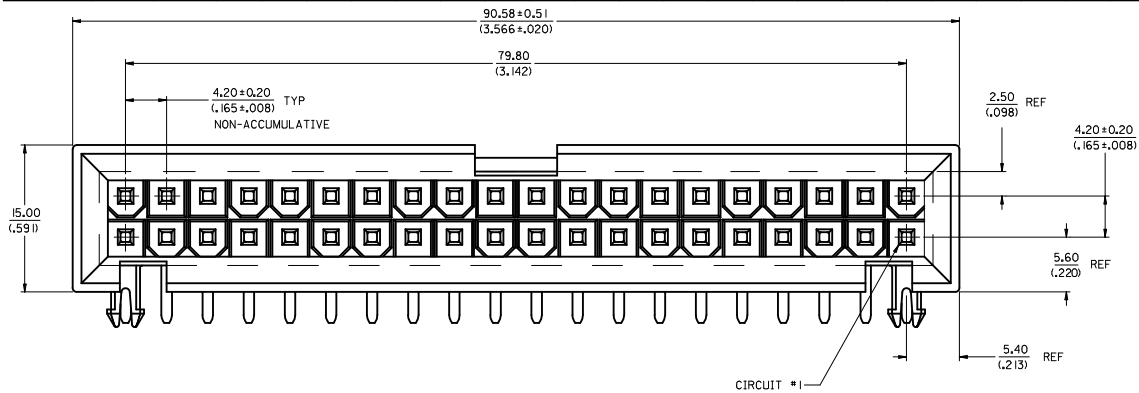


PART NUMBER	CIRCUIT SIZE	TERMINAL PIN TYPE REQUIRED AT EACH CIRCUIT LOCATION																																							
		1	2	3	4	5	6	7	8	9	10	11	12	13	14	15	16	17	18	19	20	21	22	23	24	25	26	27	28	29	30	31	32	33	34	35	36	37	38	39	40
43973-0001	40	A	A	A	A	A	A	A	A	A	A	A	A	A	A	A	A	A	A	A	A	A	B	B	B	B	B	B	B	B	B	B	B	B	B	B	B	B	B	B	B



RECOMMENDED HOLE LAYOUT FOR
 .070/(1.78) MAX. THICK P.C. BOARD
 (COMPONENT SIDE SHOWN)

TERMINAL PIN LEGEND		
PIN TYPE	FINISH (SEE NOTE 2)	MATING TYPE
A	I	STD.
B	I	M-F-B-L

NOTES:

- 1) MATERIAL
 HOUSING:
 NYLON 46, GLASS-FILLED, UL94V-0,
 COLOR - BLACK
 TERMINAL MATERIAL: BRASS ALLOY
- 2) FINISH
 TERMINAL PLATING:
 1) .00254/(0.000100) MIN. TIN OVER NICKEL PLATE
- 3) PRODUCT SPECIFICATION: PS-43759-0001.
- 4) PACKAGING SPECIFICATION: PK-42404-002.
- 5) PART MATES WITH MINI-FIT JR. RECEPTACLE 43974.
- 6) CONNECTOR ASSEMBLIES ARE NOT TO BE MATED OR UNMATED WHILE CIRCUITS ARE LIVE.
- 7) CIRCUITS SHOWN PROVIDED THE "MATE-FIRST/BREAK-LAST" FEATURE.
- 8) DISCOLORATION ON THE BANDOLIER CARRIER AREA OF THE PIN IS INHERENT TO THE PLATING PROCESS AND IS DUE TO THE MASKING EFFECT OF THE CARRIER. THIS DISCOLORATION IS IN A NON-FUNCTIONAL AREA OF THE PIN AND WILL NOT AFFECT THE PERFORMANCE OF THE HEADER ASSEMBLY.
- 9) PART IS NOT DESIGNED FOR CURRENT SHARING.
- 10) PART CONFORMS TO CLASS B OF COSMETIC SPECIFICATION PS-45499-002.
- 11) PART ALLOWS FOR .050/(1.27) MISALIGNMENT WITH MATING RECEPTACLE IN ANY DIRECTION. SEE MATING CONNECTOR DRAWINGS FOR SPECIFIC ALLOWANCES.

ADDED NOTES EC NO: UCF2009-3129 DRAWN BY: 2000/01/05 CHKD: BELL 2000/01/06 APPR: FSWITH 2000/01/07 REV DESCRIPTION	QUALITY SYMBOLS	GENERAL TOLERANCES (UNLESS SPECIFIED)	DIMENSION STYLE	SCALE	DESIGN UNITS	THIRD ANGLE PROJECTION
	0= 0= ANGLAR ±1/2°	mm INCH 4 PLACES ± --- ± --- 3 PLACES ± --- ± .015 2 PLACES ± 0.38 ± --- 1 PLACE ± --- ± ---	MM/IN	1:1	METRIC	
	DRAFT WHERE APPLICABLE MUST REMAIN WITHIN DIMENSIONS	DRAWN BY DATE PEARSON 7/29/97 CHECKED BY DATE EDGLEY 7/29/97 APPROVED BY DATE EDGLEY 7/29/97	MATERIAL NO. DOCUMENT NO. TITLE 439730001 SD-43973-001 HEADER ASSY. 40 CKT. DUAL ROW RIGHT ANGLE MAKE FIRST/ BREAK LAST			
	SIZE D THIS DRAWING CONTAINS INFORMATION THAT IS PROPRIETARY TO MOLEX INCORPORATED AND SHOULD NOT BE USED WITHOUT WRITTEN PERMISSION	SHEET NO. 1 OF 1	MOLEX INCORPORATED			