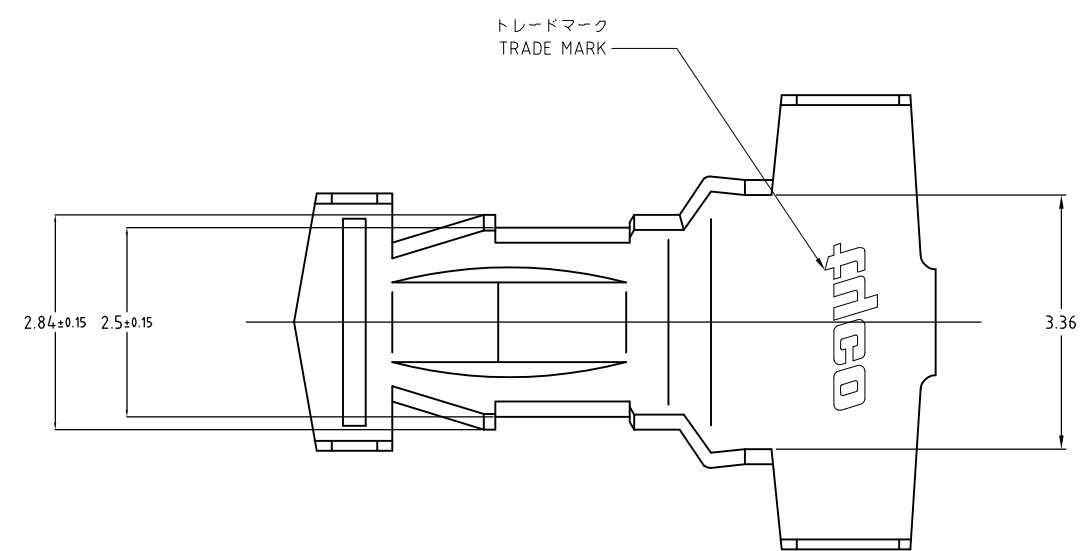


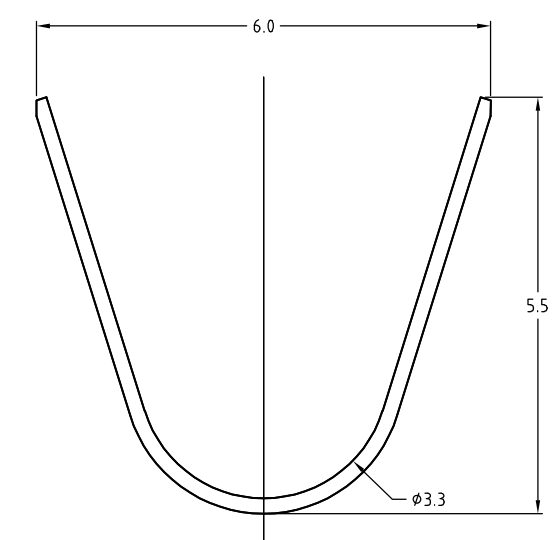
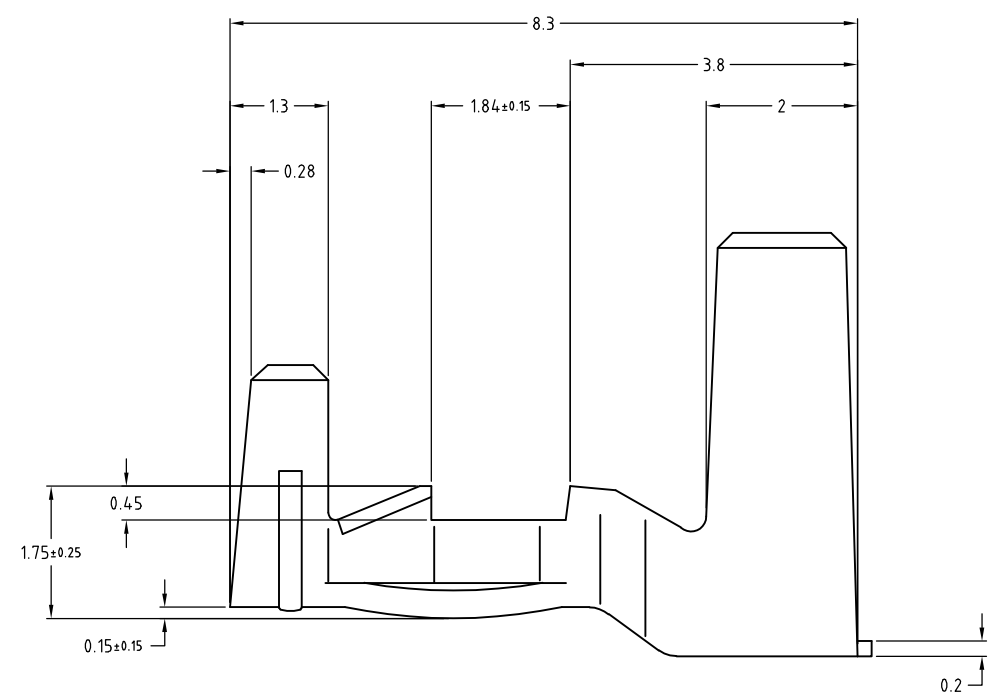
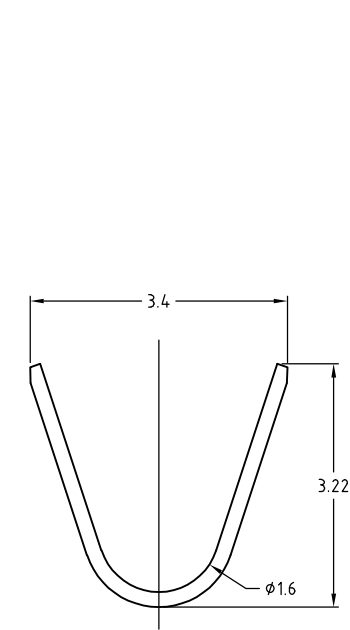
THIS DRAWING IS UNPUBLISHED. RELEASED FOR PUBLICATION
 © COPYRIGHT - Tyco Electronics Japan G.K. ALL RIGHTS RESERVED.

LOC	DIST	REVISIONS 変更					
J		P	LTR	DESCRIPTION	DATE	DWN	APVD
			B	REVISED	29NOV2012	K.S	N.Y




注；
 1. 適用電線 AWG#14、被覆外径 φ3.4~φ3.8
 2. 推奨基板孔径 φ2.5~φ2.6
 3. 推奨基板板厚 t1.6

NOTES;
 1. APPLICABLE WIRE ; AWG#14, IND DIA φ3.4~φ3.8
 2. RECOMMEND P.C.B HOLL DIA ; φ2.5~φ2.6
 3. RECOMMEND P.C.B THICKNESS ; t1.6



1871865-1
 型番 P/N

THIS DRAWING IS A CONTROLLED DOCUMENT.		DWN M.SUZUKI 31AUG2005	 TE Connectivity	
DIMENSIONS: 単位: 耗 mm		CHK N.YAMASAKI 01SEP05		
TOLERANCES UNLESS OTHERWISE SPECIFIED: 一般公差		APVD N.YAMASAKI 01SEP05	NAME 名称 BOARD IN CONTACT M-TYPE	
0 PLØ ± 0.3 1 P/C ± 2 P/C ± 3 P/C ± 4 P/C ± ANGLES ± 1DEG		PRODUCT SPEC 製品規格 108-78343	RESTRICTED TO —	
MATERIAL 材料 BRASS 黄銅		FINISH 仕上 TIN 錫	APPLICATION SPEC 取付適用規格 114-5388	SIZE A3
		WEIGHT	CAGE CODE 00779	DRAWING NO 番号 C-1871865
		CUSTOMER DRAWING	SCALE 尺度 10:1	SHEET 1 OF 1
				REV B