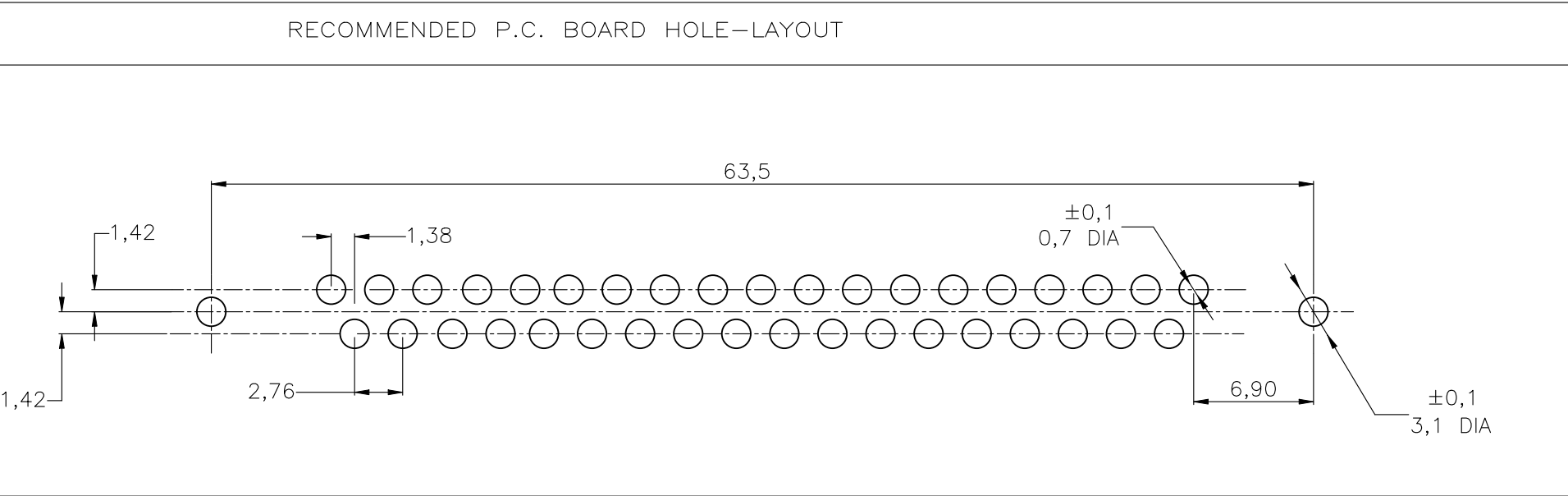
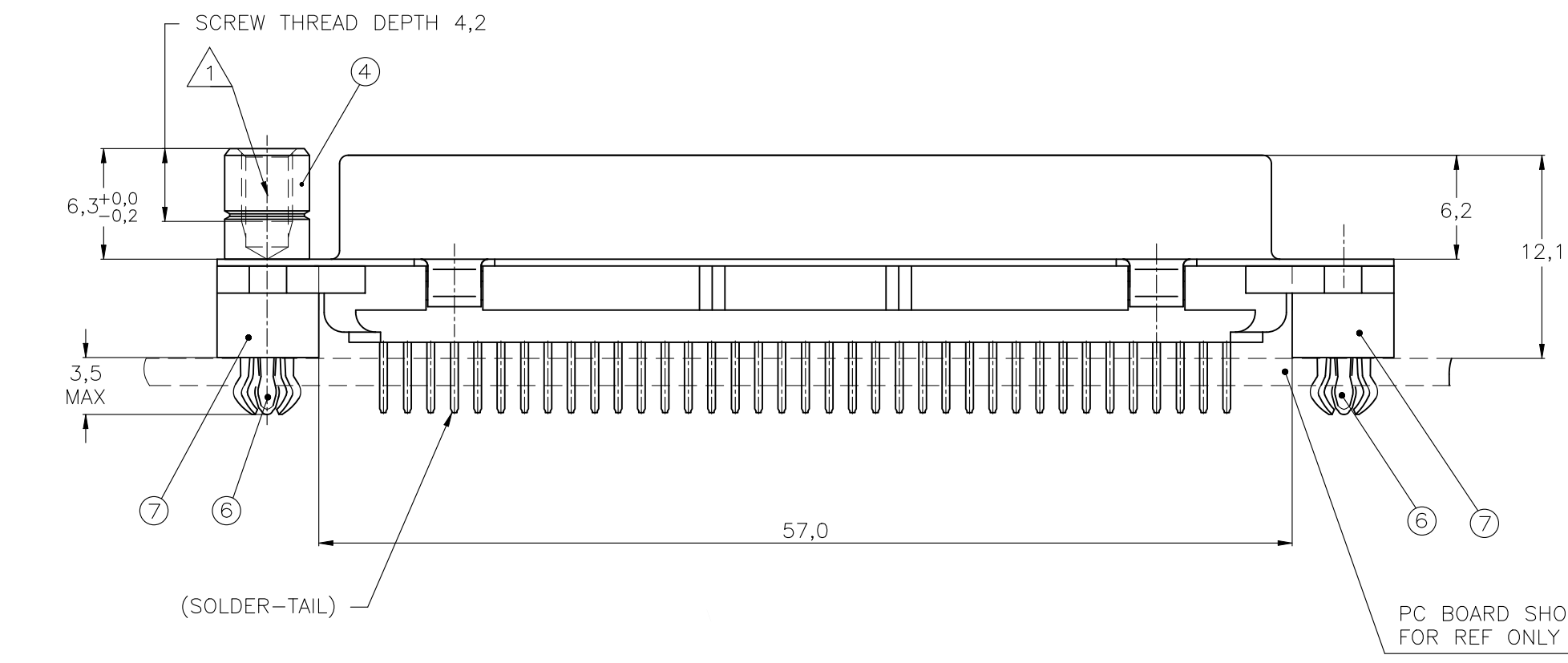
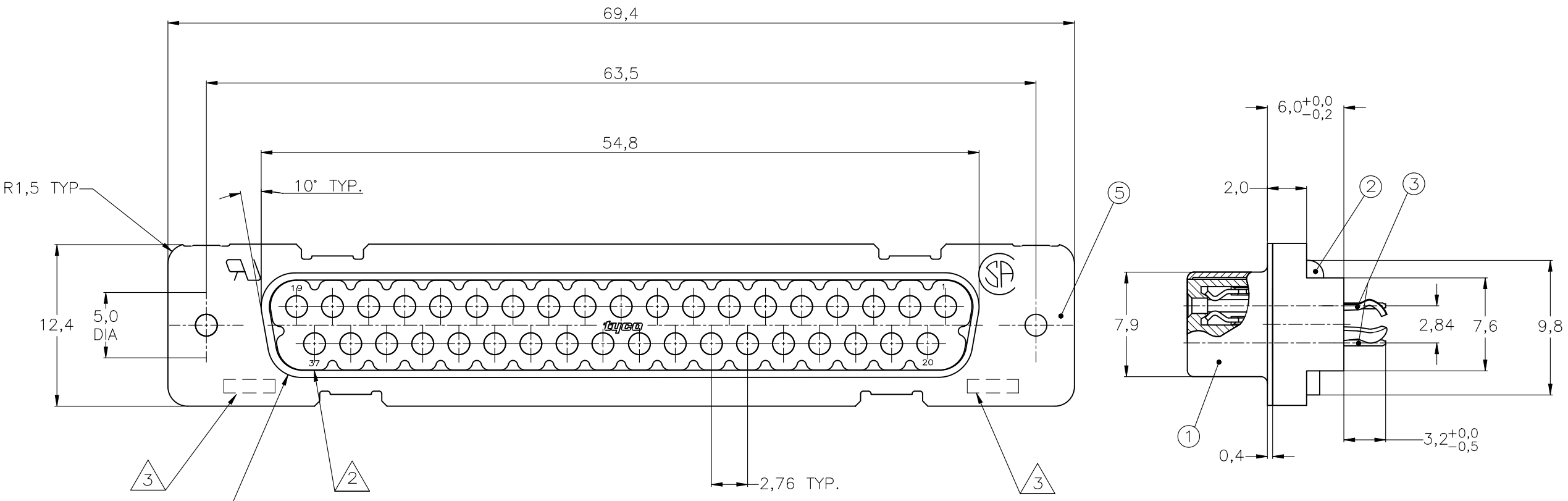


REVISIONS					
P	LTR	DESCRIPTION	DATE	DWN	APVD
H1		REVISE PER ECN-23-208943	19APR2023	KH	SZ



ITEM NO	DESCRIPTION OF ACCESSORY	1	2	3	4	5	6	7	8	9
5	BUSHING WITH THROUGH-HOLE 3,1 DIA									
5	BUSHING WITH THREAD 4-40 UNC		2						2	
5	BUSHING WITH THREAD M3			2						2
4	FEMALE SCREWLOCK WITH THREAD 4-40 UNC				2					2
4	FEMALE SCREWLOCK WITH THREAD M3					2				2
6	BOARDLOCK	2	2	2	2					

- ① GROOVE INDICATES VERSION WITH 4-40 UNC INNER THREAD; WITHOUT GROOVE INDICATES VERSION WITH M3 INNER THREAD.
- ② CAVITY IDENTIFICATION AT FRONT SIDE ONLY.
- ③ PART NUMBER AND DATE CODE.
- 4. WHEN BOARDLOCKS ARE USED, CONNECTOR CAN BE USED FOR PCB THICKNESS OF 1,6 ONLY.
- 5. AIR AND CREEPAGE DISTANCES ACCORDING TO DIN 41652.
- 6. CONTACT FINISH: GOLD FLASH OVER PALLADIUM-NICKEL PLATE, OR GOLD PLATE ON THE MATING SURFACES, TIN PLATE ON THE SOLDER-TAILS, NICKEL UNDERPLATE ON THE ENTIRE CONTACT. MATING SURFACE FINISH MEETS PERFORMANCE LEVEL 2 PER DIN 41652.

- ITEM NO/MATERIAL :
- ① SHELL = BRIGHT TIN PLATED STEEL
 - ② HOUSING = GLASS FILLED POLYESTER, COLOR : BLACK
 - ③ CONTACTS = PHOSPHOR BRONZE (PLATING : SEE TABLE ABOVE)
 - ④ FEMALE SCREWLOCK = TIN PLATED STEEL (INNER THREAD 4-40 UNC OR M3)
 - ⑤ BUSHING = TIN PLATED STEEL (INNER THREAD 4-40 UNC OR M3 OR 3,1 DIA THROUGH-HOLE)
 - ⑥ BOARDLOCK = TIN PLATED PHOSPHOR BRONZE
 - ⑦ STAND OFF = GLASS FILLED NYLON, UL95V-0 RATED COLOR : BLACK

THIS DRAWING IS A CONTROLLED DOCUMENT. DIMENSIONING AND TOLERANCING PER ASME Y14.5M-2009		DWN J.v.LIEMPT CHK C.SOUISA APVD E.LEIJTENS	01JUL97 09SEP97 09SEP97		
DIMENSIONS: mm 		TOLERANCES UNLESS OTHERWISE SPECIFIED:		NAME HDP-20 SIZE 4 VERTICAL+ RECEPTACLE HEADER; WITH SOLDER CONTACTS	
0 PLC ± - 1 PLC ± 0.3 2 PLC ± 0.15 3 PLC ± - 4 PLC ± - ANGLES ± 2° FINISH -		APPLICATION SPEC		SIZE A2 CAGE CODE 00779 DRAWING NO. C-338316 RESTRICTED TO -	
MATERIAL -		WEIGHT 0.000000		SCALE NTS SHEET 1 of 1 REV H1	
		CUSTOMER DRAWING			

338316