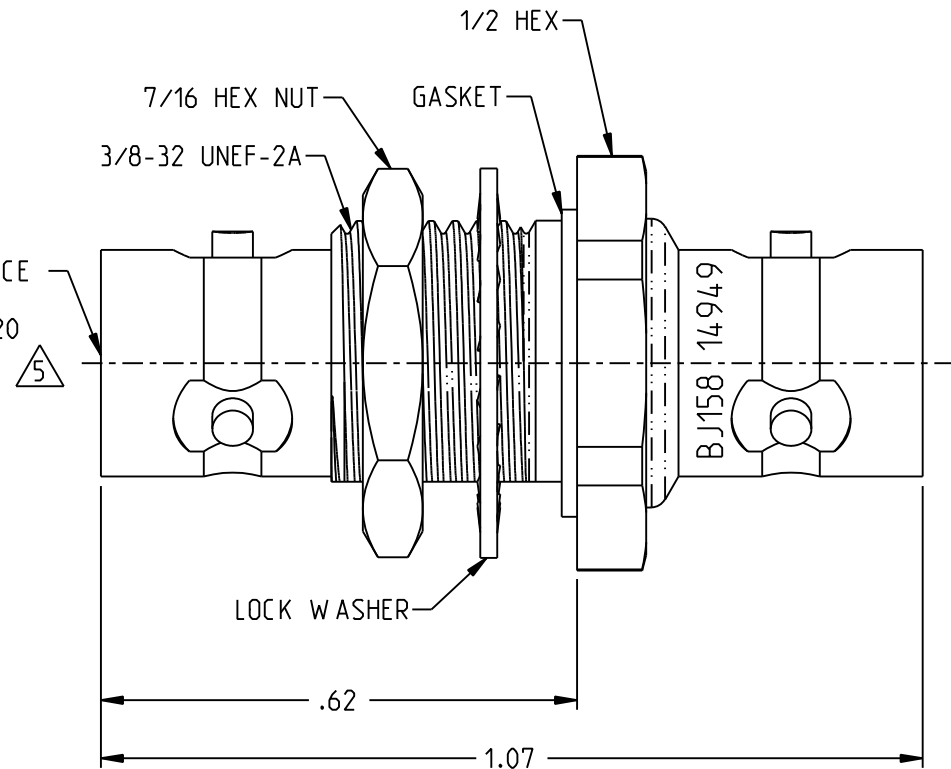
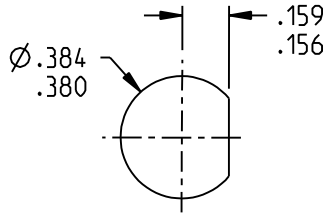


2X TRS JACK INTERFACE DIMENSIONS PER SPC-09500-43-20



NOTES: UNLESS OTHERWISE SPECIFIED.

1. MATERIAL AND FINISH:
  - 1.1 BODY & PANEL NUT: NICKEL PLATED BRASS
  - 1.2 CENTER CONTACT: GOLD PLATED BERYLLIUM COPPER
  - 1.3 INTERMEDIATE CONTACT: GOLD PLATED BRASS
  - 1.4 DIELECTRIC (INNER & OUTER): PTFE (TEFLON)
  - 1.5 LOCK WASHER: NICKEL PLATED COPPER ALLOY
  - 1.6 GASKET: SILICONE RUBBER
2. ELECTRICAL:
  - 2.1 IMPEDANCE: NON-CONSTANT
  - 2.2 FREQUENCY (MAX): 500 MHZ
3. PANEL NUT TORQUE (MAX): 25 INCH POUND
4. PANEL THICKNESS (MAX): .190



RECOMMENDED PANEL CUTOUT

5. DIAMETER OVER BAYONET LUGS MODIFIED TO ACCOMMODATE PANEL CUTOUT. MODIFICATION DOES NOT AFFECT PERFORMANCE OR FUNCTION.

|   |  |   |  |
|---|--|---|--|
|   | 3RD ANGLE PROJECTION<br>   | <b>TROMPETER</b>  |  |
|   | This PROPRIETARY Document is property of Cinch Connectivity Solutions. It is confidential in nature, non-transferable, and issued with the clear understanding that it is not traced or copied without permission and is returnable upon demand. | RoHS2 <input checked="" type="checkbox"/><br>2011/65/EU | Title: CONTACT, TRS JACK, BHD FEEDTHRU |
| INTERPRET DRAWING IN ACCORDANCE WITH ASME Y14.5-2009. | UNLESS OTHERWISE SPECIFIED UNITS: INCH<br>.XX ±.02<br>.XXX ±.005<br>ANGLES ±2°   | Model No.<br>BJJ158                                     | Date:<br>3/28/2016                     |
|   | Size A   | DO NOT SCALE DRAWING                                    | Sheet 1 OF 1                           |