

HCK. Oil level indicators

suitable for oil and glycol-based solutions



- 1
- 2
- 3
- 4
- 5
- 6
- 7
- 8
- 9
- 10
- 11
- 12
- 13
- 14
- 15
- 16
- 17
- 18

ASSEMBLY ENDS

Glass-fibre reinforced polyamide based (PA) technopolymer, black colour.

SUPPORT

Aluminium in natural colour.

GRADUATED CONTRAST SCREEN

White lacquered aluminium. It can be taken out before assembly to allow the insertion of level lines or words.

STANDARD EXECUTIONS

See configuration table.

FEATURES AND PERFORMANCES

Maximum fluid level visibility even from side positions.

TECHNICAL DATA

In laboratory tests carried out for a relatively limited time with the following liquids at a temperature of 23° C: mineral oil type CB68 (according to ISO 3498) for HCK, mineral oil type CB68 (according to ISO 3498) water or water/glycol-based solutions (50%) for HCK-GL, the resistance values were much higher than 35 bar.

Maximum continuous working temperature:

- HCK: 100°C (with oil).
- HCK-GL: 100°C (with oil, water, glycol-based solutions).
- HCK-GL-SST: 130°C (with oil, water, glycol-based solutions). In laboratory tests these indicators showed an excellent resistance to temperatures up to 150/160°C for many hours with pressures of 5/6 bar.

For use with other fluids and under different pressure and temperature conditions, please contact ELESA Technical Department.

In any case we suggest to verify the suitability of the product under the actual working conditions.

SPECIAL EXECUTIONS ON REQUEST

- Column level window in transparent methylmethacrylate (PMMA) for max 70°C use.
- Polyamide based technopolymer float (from HCK.127) red colour.
- NBR float (from HCK.176) black colour with AISI 316 stainless steel spiral for special executions, viscous liquids, high temperatures.
- Indicators with level visibility (e) up to 1444 mm and fixing holes with hole centre distance (f) up to 1.500 mm.
- Packing rings in special material depending on the customer's needs.
- Built-in thermometer with red indication line (from HCK.127).
- External scale thermometer (Fig. 1) with probe in direct contact with the fluid.
- Special screw with nickel-plated brass tap (Fig. 3) to be fitted to the lower assembly end for any maintenance operation requiring the indicator exclusion.

ACCESSORIES ON REQUEST (TO BE ORDERED SEPARATELY)

SLCK electric level sensor (Fig.2, from HCK.127) can be fitted, as needed, along the axis of the indicator with right (DX) or left (SX) connectors, normally closed (NC) or normally open (NO) contacts.



ELESA Original design

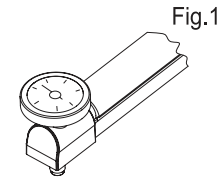


Fig.1

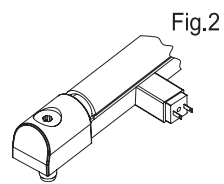


Fig.2

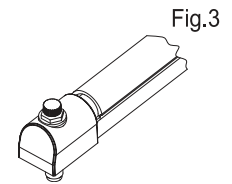
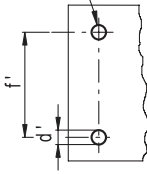


Fig.3

Drilling template
Holes without burrs and chamfer



| Conversion Table 1 mm = 0.039 inch | |
|---------------------------------------|-------|
| mm | inch |
| 76 | 2.99 |
| 127 | 5.00 |
| 176 | 6.93 |
| 254 | 10.00 |
| 381 | 15.00 |
| 508 | 20.00 |

METRIC

| f | d | L | lt | e | d'-0.2 | f' | C# [Nm] | ⚖️ |
|-----|-----|-----|------|-----|--------|----------|------------|-----|
| 76 | M10 | 113 | 35.5 | 42 | 10.5 | 76 ±0.2 | 12 | 183 |
| 127 | M12 | 164 | 46.5 | 71 | 12.5 | 127 ±0.5 | 12 | 220 |
| 176 | M12 | 213 | 46.5 | 120 | 12.5 | 176 ±0.5 | 12 | 250 |
| 254 | M12 | 291 | 46.5 | 198 | 12.5 | 254 ±0.5 | 12 | 298 |
| 381 | M12 | 418 | 46.5 | 325 | 12.5 | 381 ±0.5 | 12 | 377 |
| 508 | M12 | 545 | 46.5 | 452 | 12.5 | 508 ±0.5 | 12 | 455 |

Maximum tightening torque.

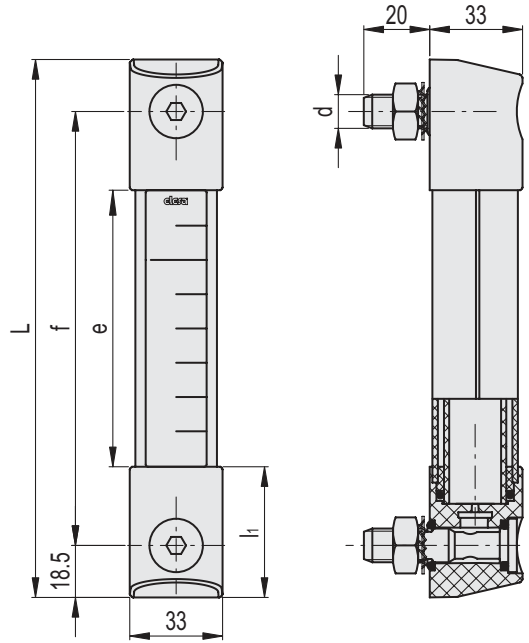
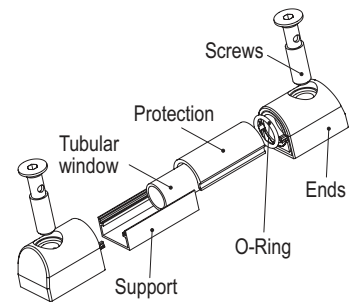


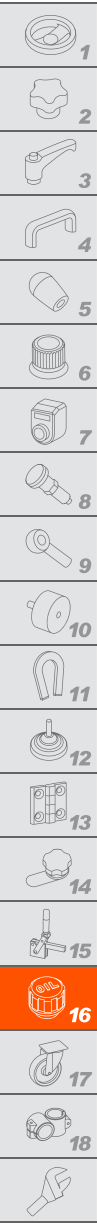
TABLE FOR THE CONFIGURATION OF THE STANDARD EXECUTIONS

| HCK. | - | 76 | - | ZN | - | M10 | - | NBR | - | PC | - | P |
|--------------------------------|---|--------|---|----|---|-----|---|--|---|----|---|---|
| | | ① | | ② | | ③ | | ④ | | ⑤ | | ⑥ |
| ① Hole centre distance (f) | | 76 | | | | | | 76 mm | | | | |
| | | 127 | | | | | | 127 mm | | | | |
| | | 176 | | | | | | 176 mm | | | | |
| | | 254 | | | | | | 254 mm | | | | |
| | | 381 | | | | | | 381 mm | | | | |
| | | 508 | | | | | | 508 mm | | | | |
| ② Screws, nuts and washers | | ZN | | | | | | Zinc-plated steel. | | | | |
| | | SST | | | | | | AISI 303 stainless steel screws, AISI 304 stainless steel nuts and washers. | | | | |
| | | SST316 | | | | | | AISI 316 stainless steel. | | | | |
| ③ Screws thread | | M10 | | | | | | M10 (for execution 76 paragraph 1). | | | | |
| | | M12 | | | | | | M12 (for executions from 127 to 508 paragraph 1). | | | | |
| ④ Packing rings | | NBR | | | | | | NBR synthetic rubber O-Ring for use with maximum continuous working temperature 100°C. | | | | |
| | | FKM | | | | | | FKM synthetic rubber O-Ring type VITON® for use with maximum continuous working temperature 130°C. | | | | |
| ⑤ Level tubular window | | PC | | | | | | Polycarbonate transparent tube for use with oil. | | | | |
| | | GL | | | | | | Borosilicate glass transparent tube for use with oil, water or water/glycol-based solutions (50%), supplied with front protection (P) paragraph 6. | | | | |
| ⑥ Transparent front protection | | P | | | | | | Polycarbonate (PC). Removable for cleaning operations. | | | | |
| | | NP | | | | | | Without protection (for execution PC paragraph 5). | | | | |



Accessories for hydraulic systems

VITON® Registered trademark by DuPont Dow Elastomers.



* See table for the configuration of the standard executions.

| HCK-ZN-PC-P | | HCK-ZN-GL-P | | HCK-ZN-PC-NP | |
|-------------|-------------------------|-------------|-------------------------|--------------|--------------------------|
| Code | Description* | Code | Description* | Code | Description* |
| - | - | 111004 | HCK.76-ZN-M10-NBR-GL-P | - | - |
| 111011 | HCK.127-ZN-M12-NBR-PC-P | 111014 | HCK.127-ZN-M12-NBR-GL-P | 111011-NP | HCK.127-ZN-M12-NBR-PC-NP |
| 111021 | HCK.176-ZN-M12-NBR-PC-P | 111024 | HCK.176-ZN-M12-NBR-GL-P | 111021-NP | HCK.176-ZN-M12-NBR-PC-NP |
| 111031 | HCK.254-ZN-M12-NBR-PC-P | 111034 | HCK.254-ZN-M12-NBR-GL-P | 111031-NP | HCK.254-ZN-M12-NBR-PC-NP |
| 111041 | HCK.381-ZN-M12-NBR-PC-P | 111044 | HCK.381-ZN-M12-NBR-GL-P | 111041-NP | HCK.381-ZN-M12-NBR-PC-NP |
| 111051 | HCK.508-ZN-M12-NBR-PC-P | 111054 | HCK.508-ZN-M12-NBR-GL-P | 111051-NP | HCK.508-ZN-M12-NBR-PC-NP |
| - | - | 112029 | HCK.76-ZN-M10-FKM-GL-P | - | - |
| 113131 | HCK.127-ZN-M12-FKM-PC-P | 113175 | HCK.127-ZN-M12-FKM-GL-P | 113131-NP | HCK.127-ZN-M12-FKM-PC-NP |
| 114131 | HCK.176-ZN-M12-FKM-PC-P | 114175 | HCK.176-ZN-M12-FKM-GL-P | 114131-NP | HCK.176-ZN-M12-FKM-PC-NP |
| 116231 | HCK.254-ZN-M12-FKM-PC-P | 116275 | HCK.254-ZN-M12-FKM-GL-P | 116231-NP | HCK.254-ZN-M12-FKM-PC-NP |
| 117141 | HCK.381-ZN-M12-FKM-PC-P | 117185 | HCK.381-ZN-M12-FKM-GL-P | 117141-NP | HCK.381-ZN-M12-FKM-PC-NP |
| 118051 | HCK.508-ZN-M12-FKM-PC-P | 118095 | HCK.508-ZN-M12-FKM-GL-P | 118051-NP | HCK.508-ZN-M12-FKM-PC-NP |

| HCK-SST-PC-P | | HCK-SST-GL-P | | HCK-SST-PC-NP | |
|--------------|--------------------------|--------------|--------------------------|---------------|---------------------------|
| Code | Descrizione* | Code | Descrizione* | Code | Description* |
| - | - | 112059 | HCK.76-SST-M10-NBR-GL-P | - | - |
| 113301 | HCK.127-SST-M12-NBR-PC-P | 113345 | HCK.127-SST-M12-NBR-GL-P | 113301-NP | HCK.127-SST-M12-NBR-PC-NP |
| 114271 | HCK.176-SST-M12-NBR-PC-P | 114315 | HCK.176-SST-M12-NBR-GL-P | 114271-NP | HCK.176-SST-M12-NBR-PC-NP |
| 116381 | HCK.254-SST-M12-NBR-PC-P | 116425 | HCK.254-SST-M12-NBR-GL-P | 116381-NP | HCK.254-SST-M12-NBR-PC-NP |
| 117291 | HCK.381-SST-M12-NBR-PC-P | 117335 | HCK.381-SST-M12-NBR-GL-P | 117291-NP | HCK.381-SST-M12-NBR-PC-NP |
| 118201 | HCK.508-SST-M12-NBR-PC-P | 118245 | HCK.508-SST-M12-NBR-GL-P | 118201-NP | HCK.508-SST-M12-NBR-PC-NP |
| - | - | 111005 | HCK.76-SST-M10-FKM-GL-P | - | - |
| 113433 | HCK.127-SST-M12-FKM-PC-P | 111015 | HCK.127-SST-M12-FKM-GL-P | 113433-NP | HCK.127-SST-M12-FKM-PC-NP |
| 114411 | HCK.176-SST-M12-FKM-PC-P | 111025 | HCK.176-SST-M12-FKM-GL-P | 114411-NP | HCK.176-SST-M12-FKM-PC-NP |
| 116521 | HCK.254-SST-M12-FKM-PC-P | 111035 | HCK.254-SST-M12-FKM-GL-P | 116521-NP | HCK.254-SST-M12-FKM-PC-NP |
| 117431 | HCK.381-SST-M12-FKM-PC-P | 111045 | HCK.381-SST-M12-FKM-GL-P | 117431-NP | HCK.381-SST-M12-FKM-PC-NP |
| 118341 | HCK.508-SST-M12-FKM-PC-P | 111055 | HCK.508-SST-M12-FKM-GL-P | 118341-NP | HCK.508-SST-M12-FKM-PC-NP |

| HCK-SST316-PC-P | | HCK-SST316-GL-P | | HCK-SST316-PC-NP | |
|-----------------|-----------------------------|-----------------|-----------------------------|------------------|------------------------------|
| Code | Description* | Code | Description* | Code | Description* |
| - | - | 112060 | HCK.76-SST316-M10-NBR-GL-P | - | - |
| 113601 | HCK.127-SST316-M12-NBR-PC-P | 113645 | HCK.127-SST316-M12-NBR-GL-P | 113601-NP | HCK.127-SST316-M12-NBR-PC-NP |
| 114571 | HCK.176-SST316-M12-NBR-PC-P | 114615 | HCK.176-SST316-M12-NBR-GL-P | 114571-NP | HCK.176-SST316-M12-NBR-PC-NP |
| 116681 | HCK.254-SST316-M12-NBR-PC-P | 116725 | HCK.254-SST316-M12-NBR-GL-P | 116671-NP | HCK.254-SST316-M12-NBR-PC-NP |
| 117591 | HCK.381-SST316-M12-NBR-PC-P | 117635 | HCK.381-SST316-M12-NBR-GL-P | 117591-NP | HCK.381-SST316-M12-NBR-PC-NP |
| 118501 | HCK.508-SST316-M12-NBR-PC-P | 118545 | HCK.508-SST316-M12-NBR-GL-P | 118501-NP | HCK.508-SST316-M12-NBR-PC-NP |
| - | - | 111006 | HCK.76-SST316-M10-FKM-GL-P | - | - |
| 113733 | HCK.127-SST316-M12-FKM-PC-P | 111016 | HCK.127-SST316-M12-FKM-GL-P | 113733-NP | HCK.127-SST316-M12-FKM-PC-NP |
| 114711 | HCK.176-SST316-M12-FKM-PC-P | 111026 | HCK.176-SST316-M12-FKM-GL-P | 114711-NP | HCK.176-SST316-M12-FKM-PC-NP |
| 116821 | HCK.254-SST316-M12-FKM-PC-P | 111036 | HCK.254-SST316-M12-FKM-GL-P | 116821-NP | HCK.254-SST316-M12-FKM-PC-NP |
| 117731 | HCK.381-SST316-M12-FKM-PC-P | 111046 | HCK.381-SST316-M12-FKM-GL-P | 117731-NP | HCK.381-SST316-M12-FKM-PC-NP |
| 118641 | HCK.508-SST316-M12-FKM-PC-P | 111056 | HCK.508-SST316-M12-FKM-GL-P | 118641-NP | HCK.508-SST316-M12-FKM-PC-NP |