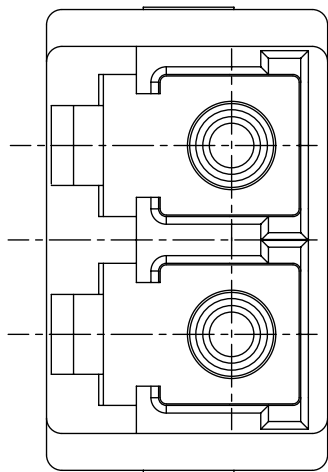
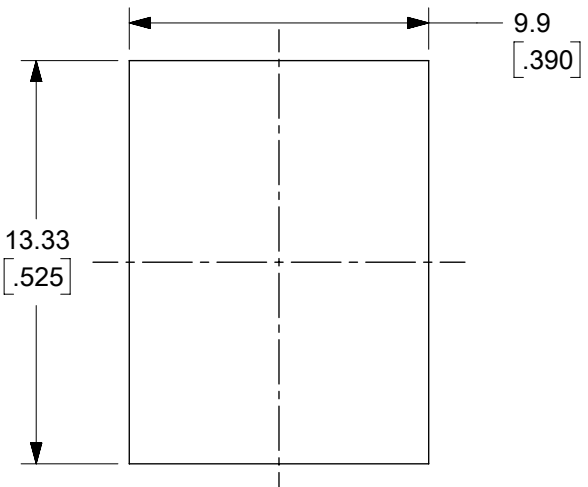
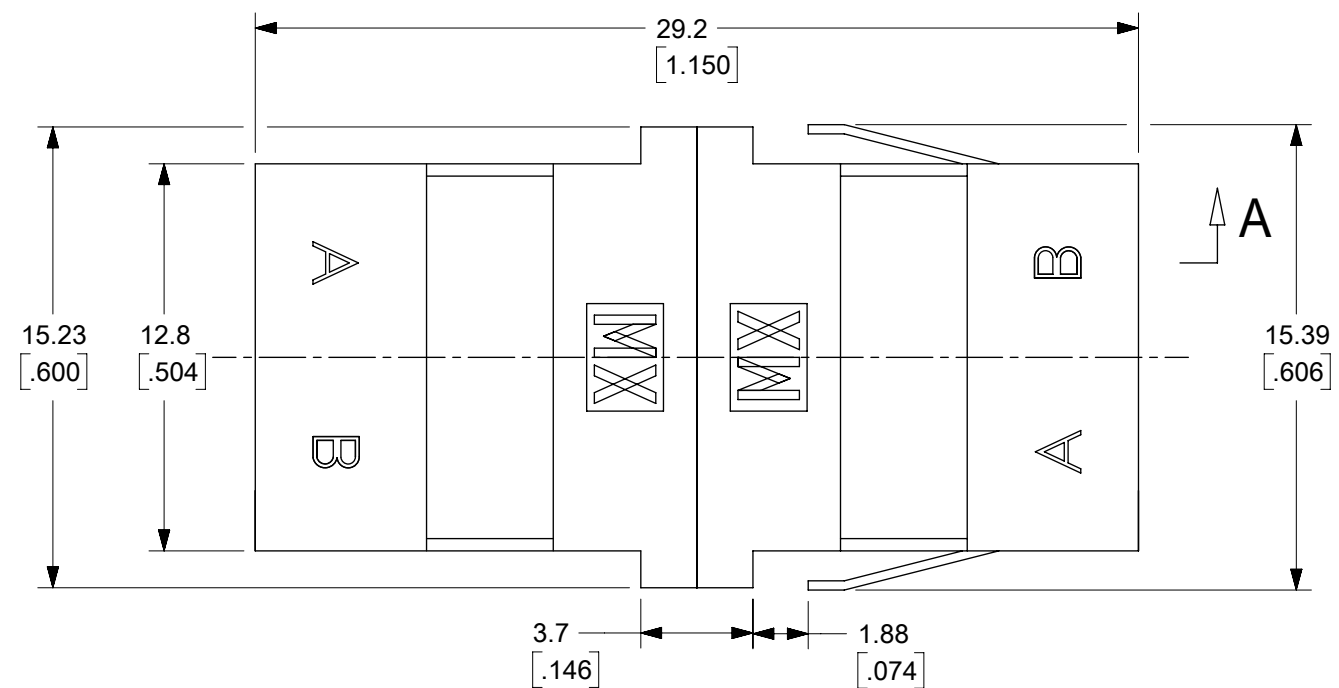


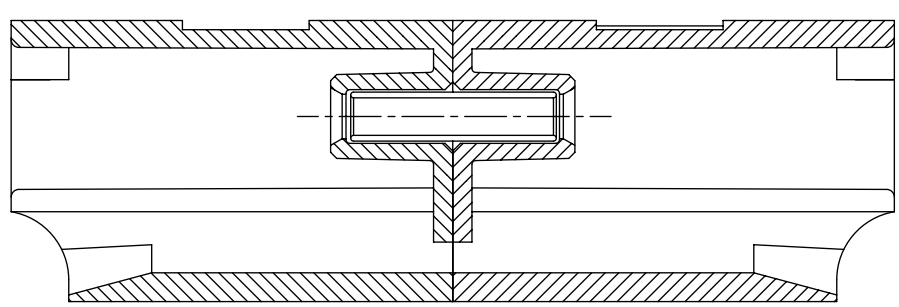
LC ADAPTER ASSY.P/N	ADAPTER COLOR	SPLIT SLEEVE	DUST CAP COLOR
106126-0410	BEIGE	ZR	WHITE
106126-0510	BLUE		
106126-1400			
106126-1415*			
106126-1416**			
106126-1450	GREEN		INDIGO BLUE (ANTI-STATIC)
106126-1460	BLUE		WHITE
106126-1410	BLACK		
106126-1420	BEIGE		
106126-1430	AQUA		
106126-3410	BLACK		



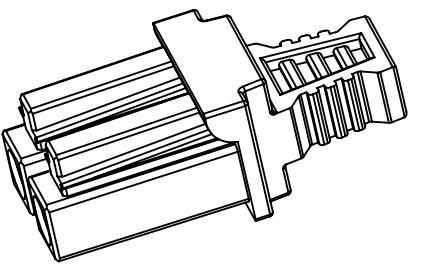
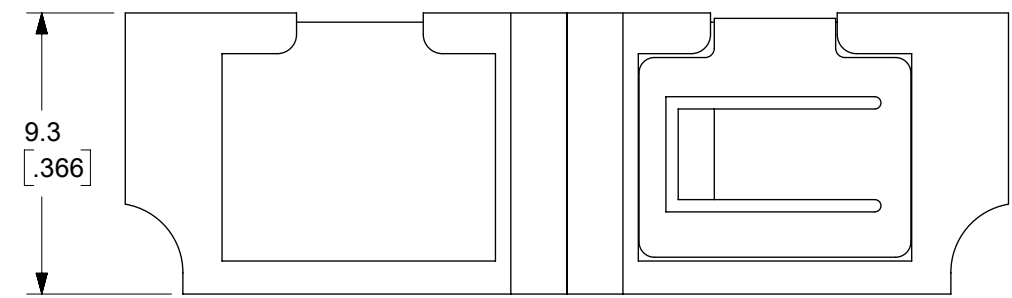
A ↑



RECOMMENDED MOUNTING CUTOUT FOR 0.063INCH(1.6MM) PANNEL



SECTION A-A



ISO VIEW FOR DUST CAP X2
SEE NOTE 2

- Notes:
- 1.ALL DIMENSIONS ARE FOR REFERENCE ONLY.
 - 2.DUST CAP NEED ASSEMBLY WITH ADAPTOR
 - *3. P/N 106126-1415 IS BULK PACKED IN QUANTITIES OF 100 PCS.
 - **4. P/N 106126-1416 IS BULK PACKED AS FOLLOWS: 500 pcs. OF ADAPTERS PER BAG.

THIS DRAWING CONTAINS INFORMATION THAT IS PROPRIETARY TO MOLEX ELECTRONIC TECHNOLOGIES, LLC AND SHOULD NOT BE USED WITHOUT WRITTEN PERMISSION									
DIMENSION UNITS: HYBRID		SCALE: 1:1		CURRENT REV DESC:				molex	
GENERAL TOLERANCES (UNLESS SPECIFIED)		ANGULAR TOL ± 0.5°		EC NO: 703605 DRWN: JHUANG18 2022/04/01 CHKD: IGUMIN 2022/05/05 APPR: IGUMIN 2022/05/05					
4 PLACES ±		3 PLACES ±		2 PLACES ±		1 PLACE ±		0 PLACES ±	
INITIAL REVISION:		DRWN: PGIBLIN 2005/10/25		APPR: IGUMIN 2005/10/26		DOCUMENT NUMBER: SD-106126-X4X0		DOC TYPE: PSD	
DRAFT WHERE APPLICABLE MUST REMAIN WITHIN DIMENSIONS		THIRD ANGLE PROJECTION		DRAWING: B-SIZE		SERIES: 106126		MATERIAL NUMBER: SEE TABLE	
						CUSTOMER: GENERAL MARKET		REVISION: 001 F1	
								SHEET NUMBER: 1 OF 1	