

# MATERIAL & SPECIFICATIONS

**HOUSING:**  
ALUMNIUM 6061-T6,  
NICKEL PLATE PER SAE-  
AMS-2404.

**INSULATOR:**  
THERMOPLASTIC PER  
MIL-DTL-32139.

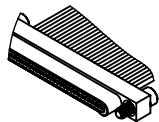
**CONTACT:**  
BERYLLIUM COPPER PER  
ASTM B194, C17200,  
GOLD PLATED PER ASTM  
B488, (HARD GOLD) TYPE  
II CODE C, CLASS 1.27.

**WIRE:**  
NEMA HP3 TYPE ET,  
COLOR CODED IAW MIL-  
STD-681, SYSTEM 1,  
USING TEN SOLID  
REPEATING COLORS.

**HARDWARE:**  
303 STAINLESS STEEL  
PER ASTM 582.

**CURRENT RATING:**  
1 AMP MAX PER MIL-  
DTL-32139.

**PERFORMANCE:**  
PRODUCT FAMILY TESTED  
TO AND PASSED THE  
PERFORMANCE  
SPECIFICATIONS OF TABLE  
VIII OF MIL-DTL-32139.

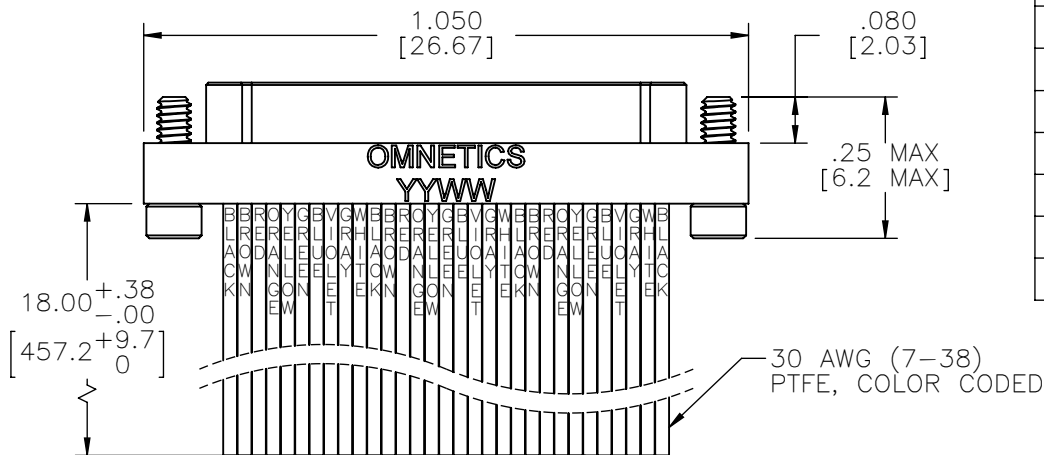
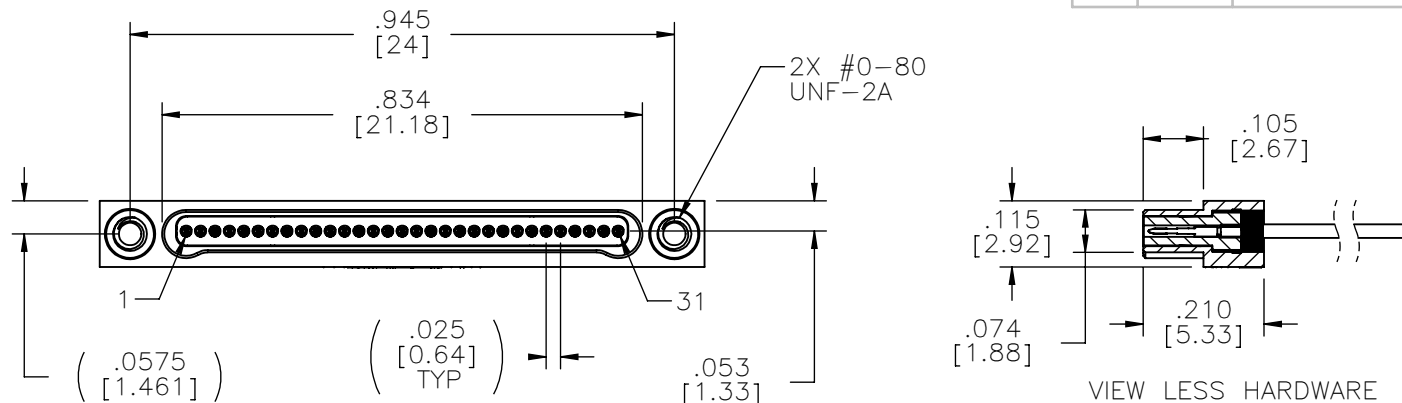


ACTUAL SIZE  
EXCLUDING WIRE LENGTH

**NOTE:**

DIMENSIONS IN [ ] ARE IN  
MILLIMETERS UNLESS  
OTHERWISE NOTED AND ARE  
FOR REFERENCE ONLY

PART NO.	A54000-031	REV	ECO	DATE	APP
		G	100650	06-17-14	TLM



PIN #	COLOR
1, 11, 21, 31	BLACK
2, 12, 22	BROWN
3, 13, 23	RED
4, 14, 24	ORANGE
5, 15, 25	YELLOW
6, 16, 26	GREEN
7, 17, 27	BLUE
8, 18, 28	VIOLET
9, 19, 29	GRAY
10, 20, 30	WHITE

MBPS SLDW	THIRD ANGLE	THIS DRAWING CONTAINS CONFIDENTIAL AND PROPRIETARY INFORMATION WHICH IS THE PROPERTY OF OMNETICS CONNECTOR CORPORATION. THIS DOCUMENT MAY NOT, IN WHOLE OR IN PART, BE DUPLICATED, OR DISCLOSED FOR ANY PURPOSE, WITHOUT WRITTEN PERMISSION FROM OMNETICS CONNECTOR CORP.			CAGE CODE <b>61873</b>
	-TOLERANCES- UNLESS OTHERWISE NOTED DIMENSIONS IN INCHES	DFTM. JMJ	DATE 03-31-11		TITLE: (31) PIN MALE
	2 PL DEC±.01 3 PL DEC±.005 4 PL DEC±.0005 ANGLES ± 1°	CHK'D.	DATE	Bi-Lobe® CONNECTOR	SHEET 1 OF 1
		APP'D.	DATE		REV G
				7260 COMMERCE CIRCLE EAST MINNEAPOLIS, MN 55432 WWW.OMNETICS.COM	SCALE: 3:1