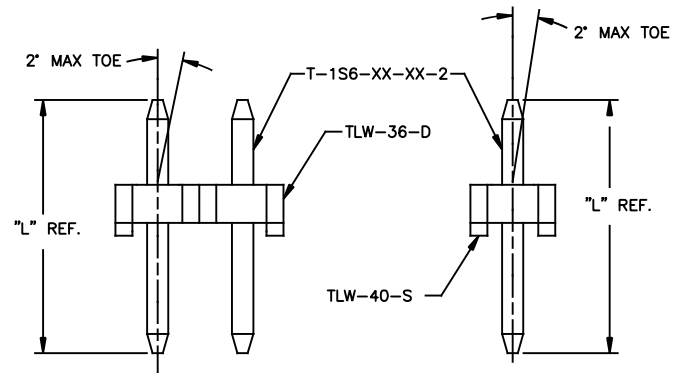
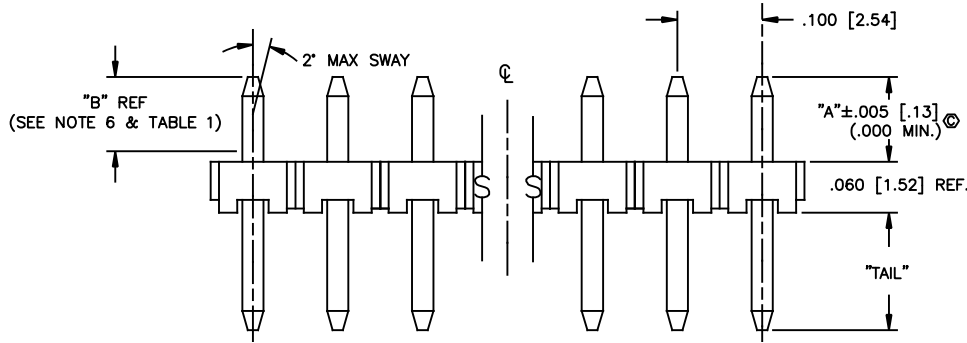
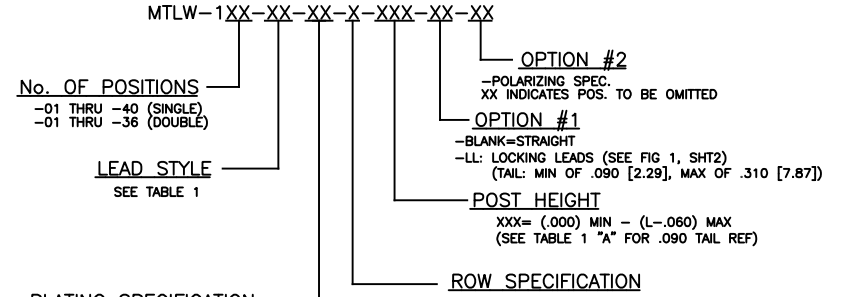
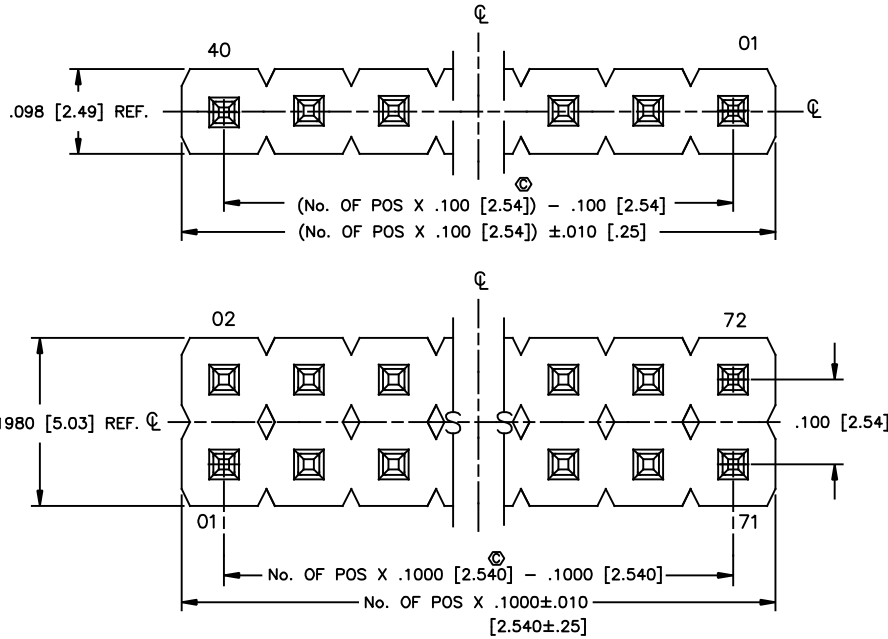


DO NOT SCALE FROM THIS PRINT.

DIMENSIONS ARE IN INCHES UNLESS OTHERWISE NOTED TOLERANCES ARE:
 ONE PLACE DECIMALS ± .1 [3] THREE PLACE DECIMALS ± .005 [.13]
 TWO PLACE DECIMALS ± .01 [.3] FOUR PLACE DECIMALS ± .0020 [.051]

TITLE: MODIFIED LOW PROFILE TERMINAL ASSEMBLY
 DWG NO: MTLW-1XX-XX-XX-X-XXX-XX-XX
 SHEET 1 OF 2



- NOTES:
 1.) MAX ALLOWABLE BOW AFTER ASSEMBLY: .005 [.13] IN/IN.
 2.) TERMINAL PUSHOUT FORCE: 2 lbs. MIN.
 3.) MAX PIN ROTATION IN BODY: 2°.
 4.) ⊙ REPRESENTS A CRITICAL DIMENSION
 5.) MAX CUT FLASH .010 [.25].
 6.) GOLD CONTACT AREA LOCATION FOR G, H, S, L, & F PLATINGS.
 7.) ORIENTATE PINS TO REDUCE THE NUMBER OF BANDOLIERS MARKS IN THE POST AREA. (SEE TABLE 2)

TABLE 1

| LEAD STYLE | TERMINAL | "L" | "A" (FOR .090 [2.29] TAIL) | "B" |
|------------|---------------|--------------|----------------------------|-------------|
| -05 | T-1S6-21-XX-2 | .335 [8.51] | .185 [4.70] | .050 [1.27] |
| -06 | T-1S6-18-XX-2 | .300 [7.62] | .150 [3.81] | .050 [1.27] |
| -07 | T-1S6-07-XX-2 | .430 [10.92] | .280 [7.11] | .165 [4.19] |
| -08 | T-1S6-08-XX-2 | .530 [13.46] | .380 [9.65] | .165 [4.19] |
| -09 | T-1S6-09-XX-2 | .730 [18.54] | .580 [14.73] | .165 [4.19] |
| -10 | T-1S6-10-XX-2 | .830 [21.08] | .680 [17.27] | .165 [4.19] |
| -22 | T-1S6-15-XX-2 | .630 [16.00] | .480 [12.19] | .165 [4.19] |
| -23 | T-1S6-16-XX-2 | .445 [11.30] | .295 [7.49] | .165 [4.19] |
| -24 | T-1S6-17-XX-2 | .480 [12.19] | .330 [8.38] | .165 [4.19] |

| CRITICAL DIMENSION INSPECTION INSTRUCTION TABLE | |
|---|-----------------------|
| ASSEMBLY OPERATION | IN-PROCESS INSPECTION |
| FILL | *C1, C5 |
| 2ND PRESS | *C1 |
| REPRESS | *C1 |
| CRIMP | C4 |
| MULTI CUT | C2, C3 |
| * WHEREVER APPLIES | |

PROPRIETARY NOTE
 THIS DOCUMENT CONTAINS CONFIDENTIAL AND PROPRIETARY INFORMATION AND ALL RIGHTS, INCLUDING PATENT RIGHTS, ARE RESERVED BY SAMTEC, INC. THIS DOCUMENT IS THE PROPERTY OF SAMTEC, INC. AND IS TO BE USED ONLY FOR THE PURPOSES SPECIFIED HEREIN. NO PART OF THIS DOCUMENT IS TO BE REPRODUCED OR TRANSMITTED IN ANY FORM OR BY ANY MEANS WITHOUT THE EXPRESS WRITTEN CONSENT OF SAMTEC, INC.

MATERIAL:
 LCP, UL 94 VO
 COLOR: BLACK

TERMINALS:
 PHOSPHOR BRONZE ALLOY
 NO. 510, 3/4 HARD
 TENSILE RANGE 95-105 KSI

EXP/PROD/ASSEMBLY/100 MTLW

520 PARK EAST BLVD. NEW ALBANY, INDIANA 47150
 PHONE (812) 944-6733 P.O. BOX 1147
 CODE 55322

MADE BY: REIDINGER 6-5-91
 CHECKED BY: MCCARTIN

ENG. APPROVAL: DEM

MTLW-1XX-XX-XX-X-XXX-XX-XX
 SHEET 1 OF 2