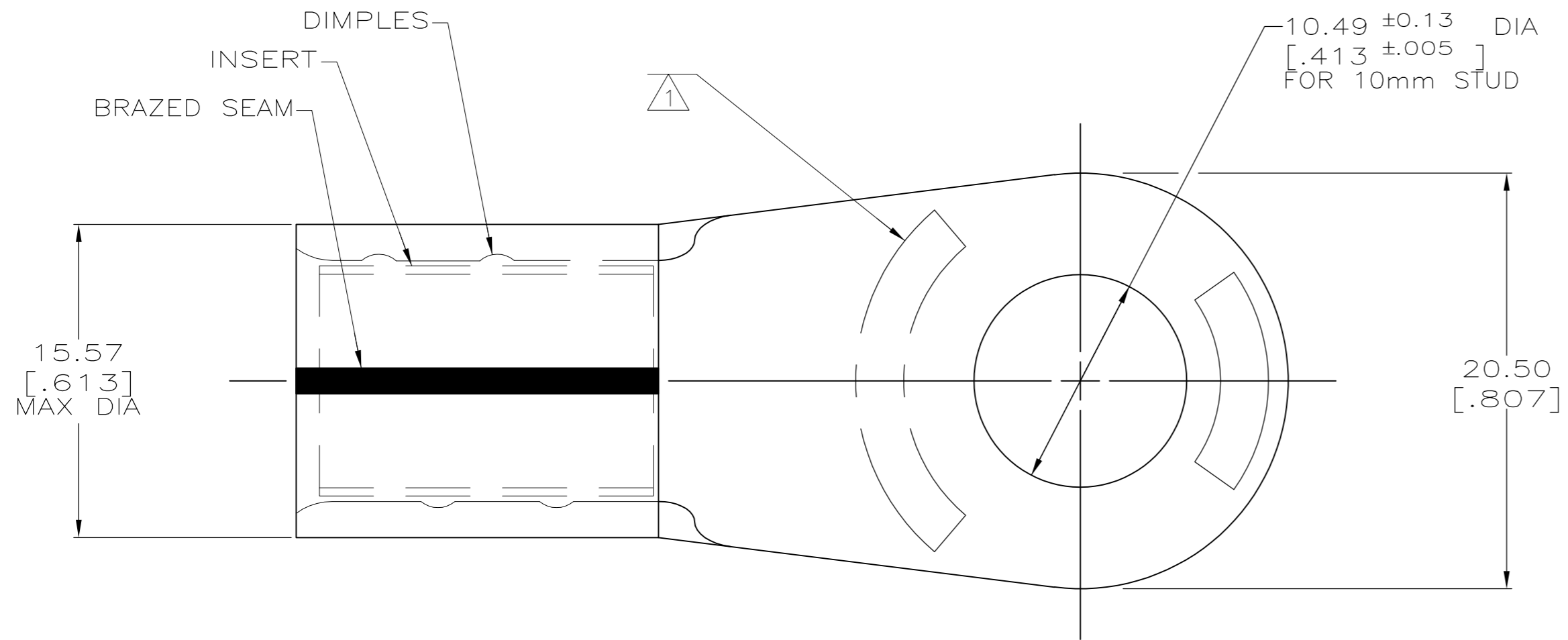
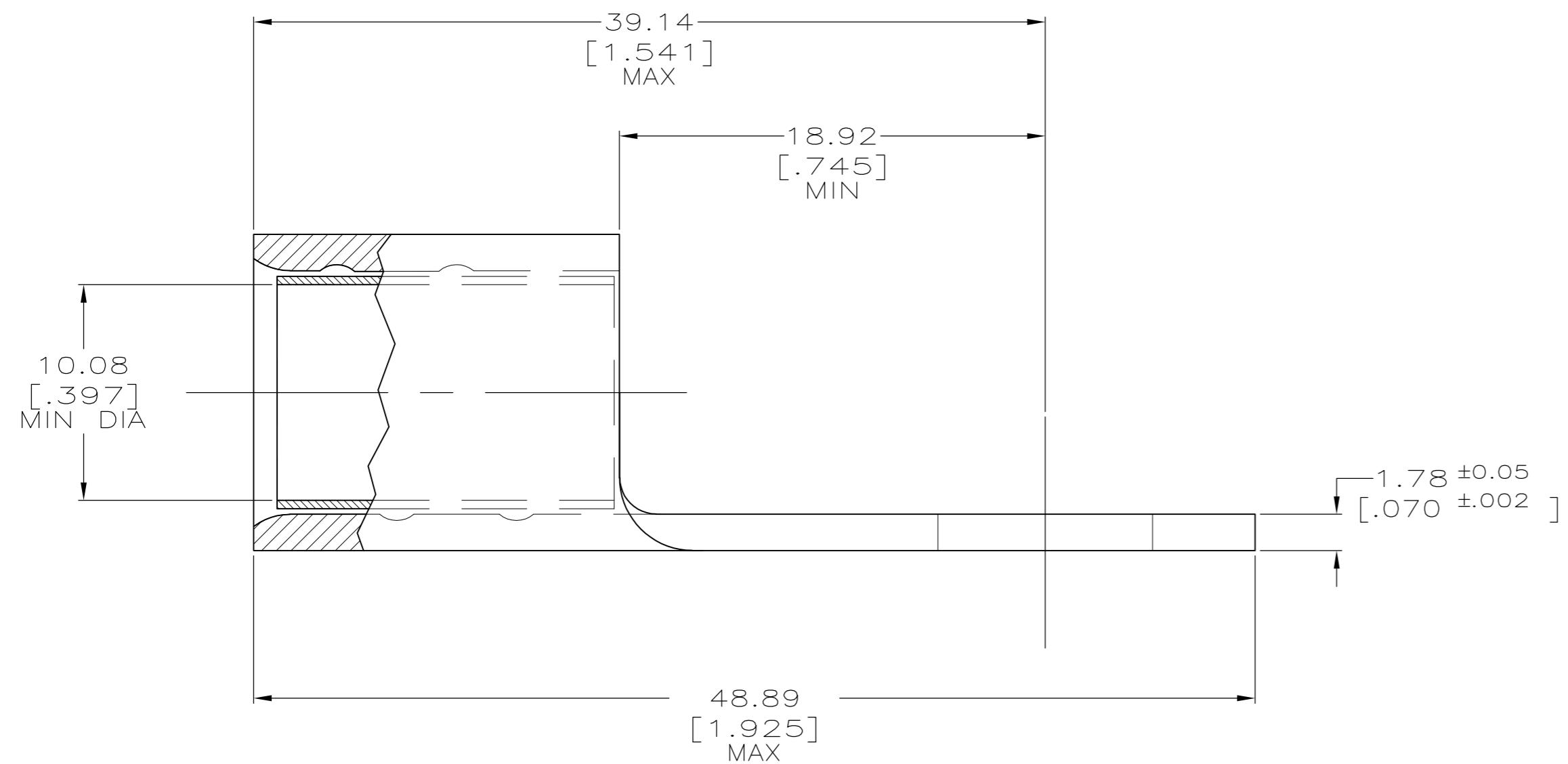


THIS DRAWING IS UNPUBLISHED. RELEASED FOR PUBLICATION  
 © COPYRIGHT - By - ALL RIGHTS RESERVED.

LOC		DIST		REVISIONS			
P	LTR	DESCRIPTION	DATE	DWN	APVD		
	A	REV PER ECO 13-016525	12-10-13	CT	JW		



△ 1 STAMP AMP 1/0 AL90CU APPROX AS SHOWN



<b>AMP INCORPORATED CUSTOMER SERVICE SYSTEMS</b>		MAX RECOMMENDED OPERATING TEMPERATURE: 150° C MAX
FOR ADDITIONAL PRODUCT INFORMATION OR COPIES OF DRAWINGS AND TECHNICAL DOCUMENTS	PRODUCT INFORMATION CENTER 1-800-522-6752	VOLTAGE RATING: NOT APPLICABLE
FOR APPLICATION TOOLING INFORMATION	TOOLING ASSISTANCE CENTER 1-800-722-1111	WIRE CROSS SECTIONAL AREA RANGE: 42.4-60.6mm <sup>2</sup> [83,700-119,500] CIR MILS SOLID OR STRANDED
FOR ORDER ENTRY	1-800-526-5142	THIS DRAWING IS A CONTROLLED DOCUMENT FOR AMP INCORPORATED. IT IS SUBJECT TO CHANGE AND THE CONTROLLING ENGINEERING ORGANIZATION SHOULD BE CONTACTED FOR THE LATEST REVISION.

BODY: COPPER PER ASTM B-152 TIN PLATE 0.00254[.000100] MIN THK PER MIL-T-10727	184087-1
INSERT: COPPER PER ASTM B-152 TIN PLATE 0.00254[.000100] MIN THK PER MIL-T-10727	
MATERIAL & FINISH	
PART NO	

THIS DRAWING IS A CONTROLLED DOCUMENT.		DWN DK SCHRUM 19JUL94	<b>STE</b> TE Connectivity	
		CHK AJ KAUFMAN 20JUL94		
DIMENSIONS: INCHES	TOLERANCES UNLESS OTHERWISE SPECIFIED:	APVD -	NAME	
	0 PLC ± -	PRODUCT SPEC	TERMINAL, RING TONGUE, COPALUM TM	
	1 PLC ± -	APPLICATION SPEC	SIZE	CAGE CODE
	2 PLC ± -		A2	00779
	3 PLC ± -		DRAWING NO	RESTRICTED TO
MATERIAL SEE TABLE	FINISH SEE TABLE	WEIGHT -	C=184087	
CUSTOMER DRAWING		SCALE 4:1	SHEET 1 of 1	REV A