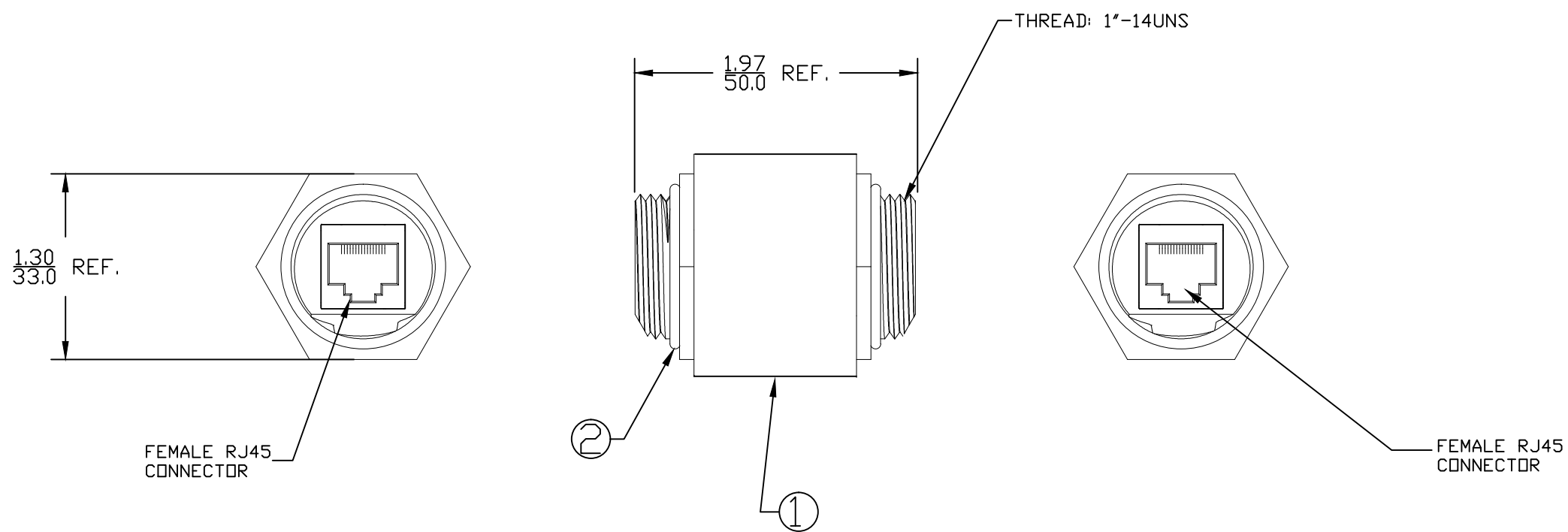
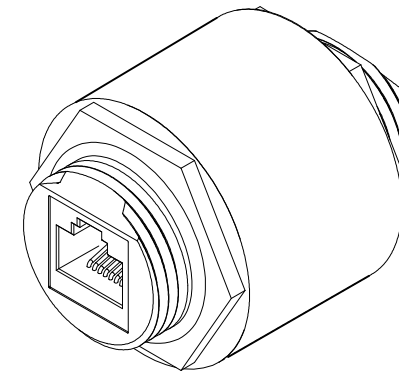


MATERIAL NUMBER	ENGINEERING NUMBER
1300580057	RJBG16821



NOTES:

- 1) MATERIAL: SEE TABLE
- 2) FINISHES: SEE TABLE
- 3) ELECTRICAL DATA:  
VOLTAGE RATING: 125 VDC  
CURRENT RATING: 1.5A  
CATEGORY RATING: CAT5
- 4) ENVIRONMENTAL:  
PROTECTION IP67  
OPERATING TEMPERATURE RANGE: -20C TO 80C

2	2	O-RING	VITON	BLACK
1	1	RECEPTACLE HOUSING	DELRIN	BLACK
ITEM	QTY.	DESCRIPTION	MATERIAL	FINISH

RELEASE EC NO: IPG2013-1986 DRWN: EBRACKEN 6/24/13 CHKD: --- APPR: BWOODMAN 2010/01/22	DESCRIPTION REV	QUALITY SYMBOLS	GENERAL TOLERANCES (UNLESS SPECIFIED) <table border="1"> <tr> <td></td> <td>mm</td> <td>INCH</td> </tr> <tr> <td>4 PLACES</td> <td>±---</td> <td>±---</td> </tr> <tr> <td>3 PLACES</td> <td>±---</td> <td>±.005</td> </tr> <tr> <td>2 PLACES</td> <td>±0.13</td> <td>±.010</td> </tr> <tr> <td>1 PLACE</td> <td>±0.25</td> <td>±.020</td> </tr> </table>		mm	INCH	4 PLACES	±---	±---	3 PLACES	±---	±.005	2 PLACES	±0.13	±.010	1 PLACE	±0.25	±.020	DIMENSION STYLE	SCALE	DESIGN UNITS	THIRD ANGLE PROJECTION
				mm	INCH																	
		4 PLACES		±---	±---																	
		3 PLACES		±---	±.005																	
2 PLACES	±0.13	±.010																				
1 PLACE	±0.25	±.020																				
▽=0 ∇=0	IN/MM	1:1	INCH																			
DRAFT WHERE APPLICABLE MUST REMAIN WITHIN DIMENSIONS	DRAWN BY DATE --- CHECKED BY DATE BWOODMAN --- APPROVED BY DATE JFMURPHY 2010/01/22	TITLE <b>RJ-LNXX ADAPTOR          RJ45 FEMALE TO FEMALE          ADAPTOR</b>																				
SEE CHART	MATERIAL NO. --- DOCUMENT NO. <b>SD-130058-006</b>	SHEET NO. <b>1 OF 1</b>																				
		SIZE	THIS DRAWING CONTAINS INFORMATION THAT IS PROPRIETARY TO MOLEX INCORPORATED AND SHOULD NOT BE USED WITHOUT WRITTEN PERMISSION																			