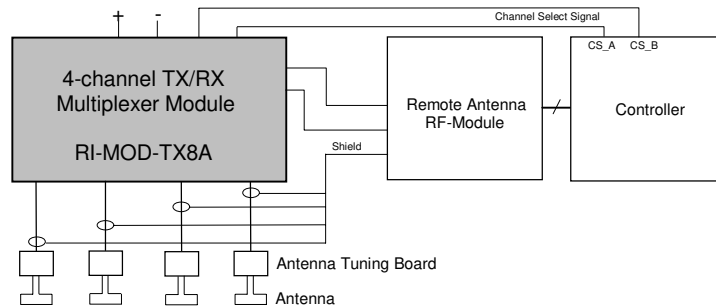


Series 2000 4-Channel TX/RX Multiplexer Module



Description

The Series 2000 4-Channel TX/RX Multiplexer Module allows the use of up to four transmit/receive antennae connected through a Remote Antenna Tuning Board (RI-ACC-008B) with one Remote Antenna Radio Frequency Module (RI-RFM-008B). The active antenna (TX/RX channel) is selected by a controller through two digital input signals.



Specifications

Part Number	RI-MOD-TX8A	
Operating Temperature	-25 to +70°C	
Storage Temperature	-40 to +85°C	
Relative Humidity	< 97% non-condensing, IEC 68-2-30 Test Db, 21 cycles	
RF Transmit Frequency	134.2 kHz	
Power Supply	10 to 24 VDC	
Antenna Resonance Voltage allowed	Max. 350 V _{peak}	
Additional Resistance per Channel	Max. 4 Ohm	
Dimensions (L x W x H)	(136 mm x 90 mm x 31 mm) ± 2 mm	
Weight	120 g	
Operation with	RI-RFM-008	Remote Antenna RF Module
	RI-ACC-008	Antenna Tuning Board
Reference documentation	11-06-21-039	Reference Guide for 4 Channel TX/RX Multiplexer for Remote Antenna RFM
Cable (MUX to tuning-board)	Symmetrical shielded cable (twin-ax)	
Approvals	CE; FCC	

For more information, contact the sales office or distributor nearest you. This contact information can be found on our web site at: <http://www.ti-rfid.com>

Texas Instruments reserves the right to change its products and services at any time without notice. TI provides customer assistance in various technical areas, but does not have full access to data concerning the uses and applications of customers products. Therefore, TI assumes no responsibility for customer product design or for infringement of patents and/or the rights of third parties, which may result from assistance provided by TI.