

SPECIFICATIONS

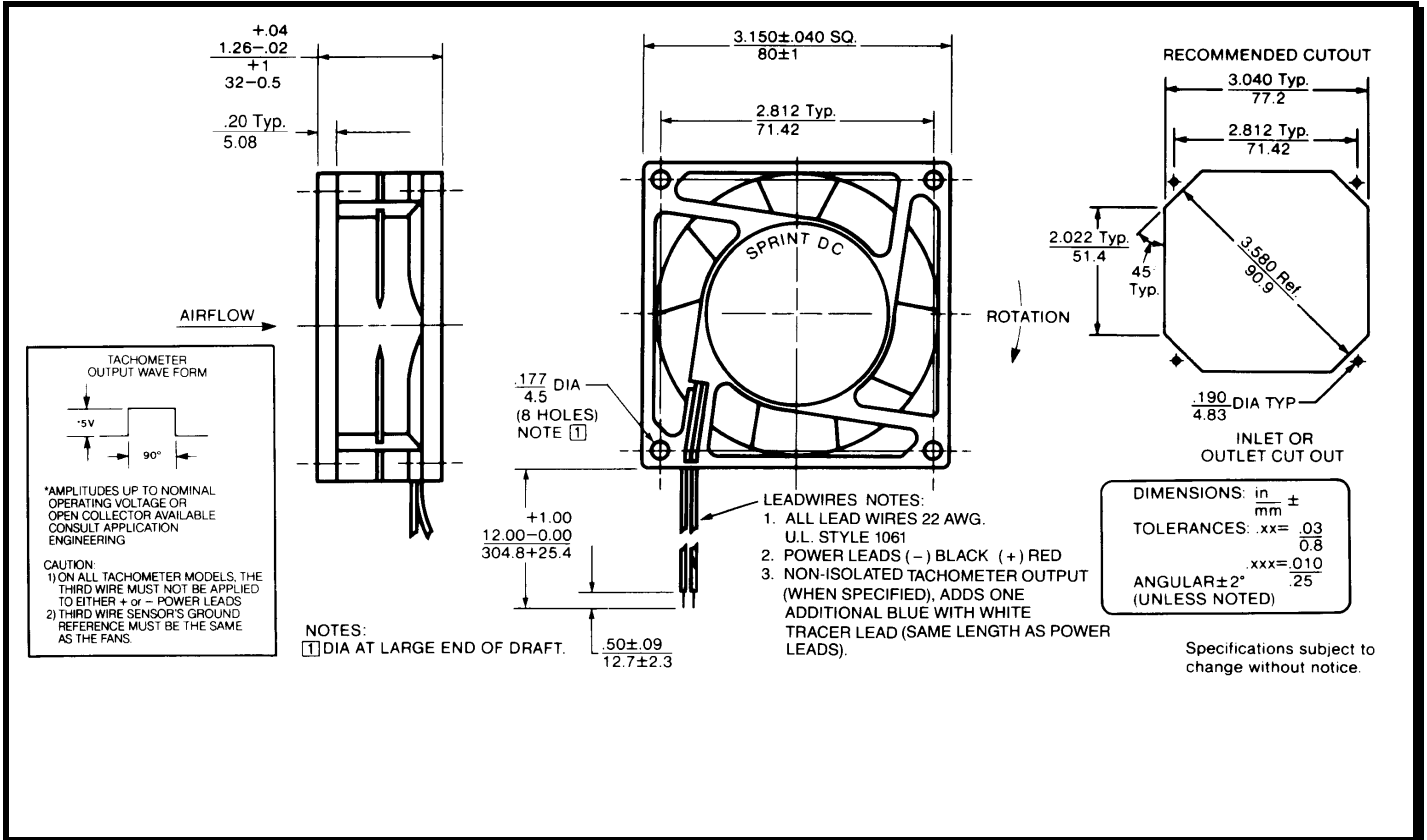
(RoHS Compliant)

Model Number: ST12B3
Part Number: 19030615A

Drawing Number: 26021752A00
January 25.2013



Mechanical Drawing:



Motor:

Nominal Voltage = 12 vdc
 Operating Voltage Range = 6-14 vdc
 Nominal Running Current = 0.280 amps
 Max. Locked Rotor Current = 0.700 amps
 Running Power = 3.4 watts
 Average Speed = 3400 RPM
 Bearings = Ball
 Air Flow = 33 CFM
 Acoustic = 40.9 dBA

Construction:

Venturi: Plastic, Black, UL 94V-0
 Propeller: Plastic, Black, UL 94V-0

Life Expectancy:

This fan is designed for continuous duty life of 78,000 hours at 40°C.

Additional Features:

Brushless DC Motor
 Automatic Restart Capability
 Electronic Locked Rotor Protection
 Polarity Protected
 Operating Temperature: -10°C to 85°C
 Storage Temperature: -40°C to 85°C

Termination:

12" Lead wires, 22 AWG, UL 1061
 Red = Power
 Black = Ground

Agencies:

UL, CSA, TUV