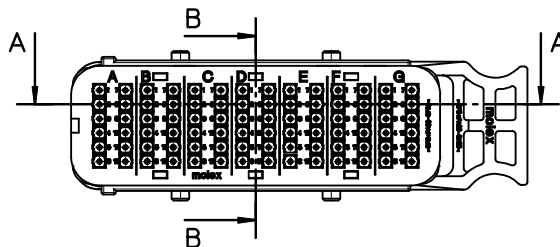
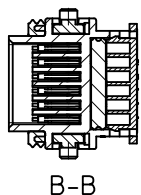
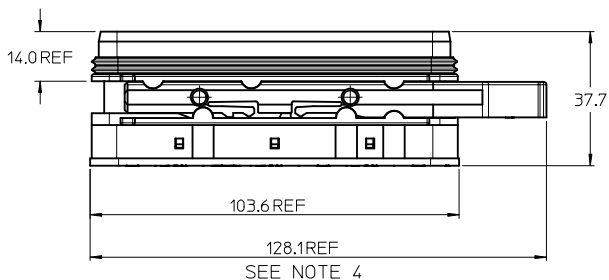
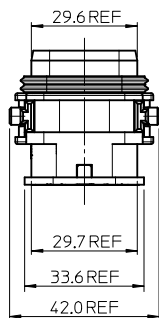
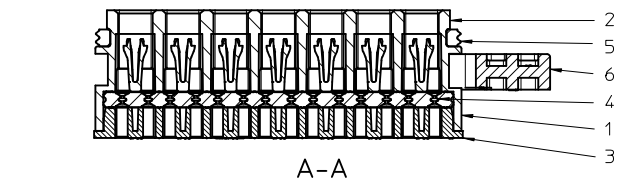
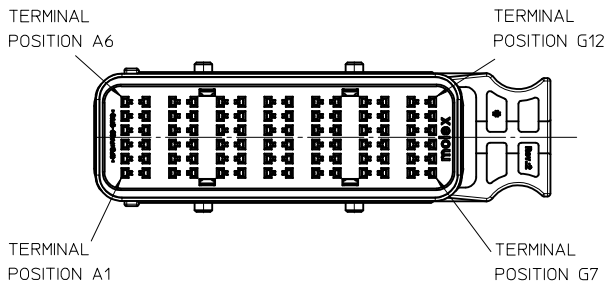
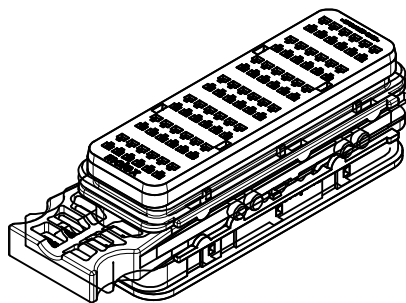
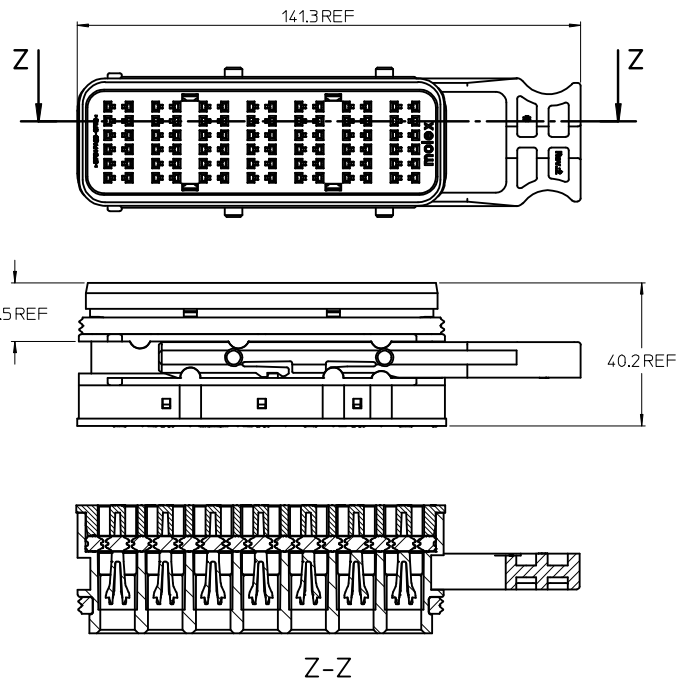


TPA IN FULL-LOCK (AS SHIPPED) POSITION AND LATCH IN PARTIALLY OPEN POSITION



TPA IN PRE-LOAD POSITION AND LATCH IN OPEN POSITION



NOTES:

1. MATERIALS: HOUSING: POLYSTYRENE/NYLON BLEND, GLASS FILLED, UL 94 HB  
SEALS: SILICONE RUBBER
2. MX150 RECEPTACLE TERMINALS PER SD-33012-002 TO BE USED WITH THIS ASSEMBLY  
CRIMPED WITH CABLE INSULATION OUTER DIAMETER IN THE RANGE 1.5mm to 2.7mm
3. PRODUCT SPECIFICATION: PS-85070-001
4. PACKAGING SPECIFICATION: PK-85070-001, LATCH SHIPPED IN PARTIALLY OPEN POSITION
5. MATES WITH: SRC BLADE HOUSING ASSEMBLY PART NUMBER 850710100 PER SD-85071-100
6. APPLICATION SPECIFICATION: 850700001 PSA
7. CONDUIT INTERFACE OPTIONS: REFER TO 934811000 PSD

No.	DESCRIPTION	QTY.	COLOUR
6	SLIDING LATCH	1	BLACK
5	FEMALE FRONT SEAL	1	RED
4	FEMALE BACK SEAL	1	LIGHT BLUE
3	FEMALE REAR COVER	1	BLACK
2	FEMALE FRONT COVER	1	BLACK
1	FEMALE HOUSING	1	BLACK
BILL OF MATERIAL			

<b>UPDATE TO NOTES</b> EC NO: IPG2016-105Z DRWN: J WALLACE 2016/02/05 CHKD: J WALLACE 2016/02/11 APPR: J WALLACE 2016/02/11	QUALITY SYMBOLS ▽=0 ▽=0	GENERAL TOLERANCES (UNLESS SPECIFIED)		DIMENSION STYLE MM ONLY		SCALE 1:1	DESIGN UNITS METRIC	THIRD ANGLE PROJECTION
		4 PLACES ± --- ± --- 3 PLACES ± --- ± --- 2 PLACES ± 0.20 ± --- 1 PLACE ± 0.5 ± --- ANGULAR ± .5 °	mm INCH	DRAWN BY CSEBASTIAN	DATE 2007/07/27	TITLE SRC FEMALE 84 PIN RECEPTACLE HOUSING ASSEMBLY		MOLEX INCORPORATED
DRAFT WHERE APPLICABLE MUST REMAIN WITHIN DIMENSIONS		MATERIAL NO. 850700500		DATE 2007/08/21		DOCUMENT NO. SD-85070-500		SHEET NO. 1 OF 1
THIS DRAWING CONTAINS INFORMATION THAT IS PROPRIETARY TO MOLEX INCORPORATED AND SHOULD NOT BE USED WITHOUT WRITTEN PERMISSION								