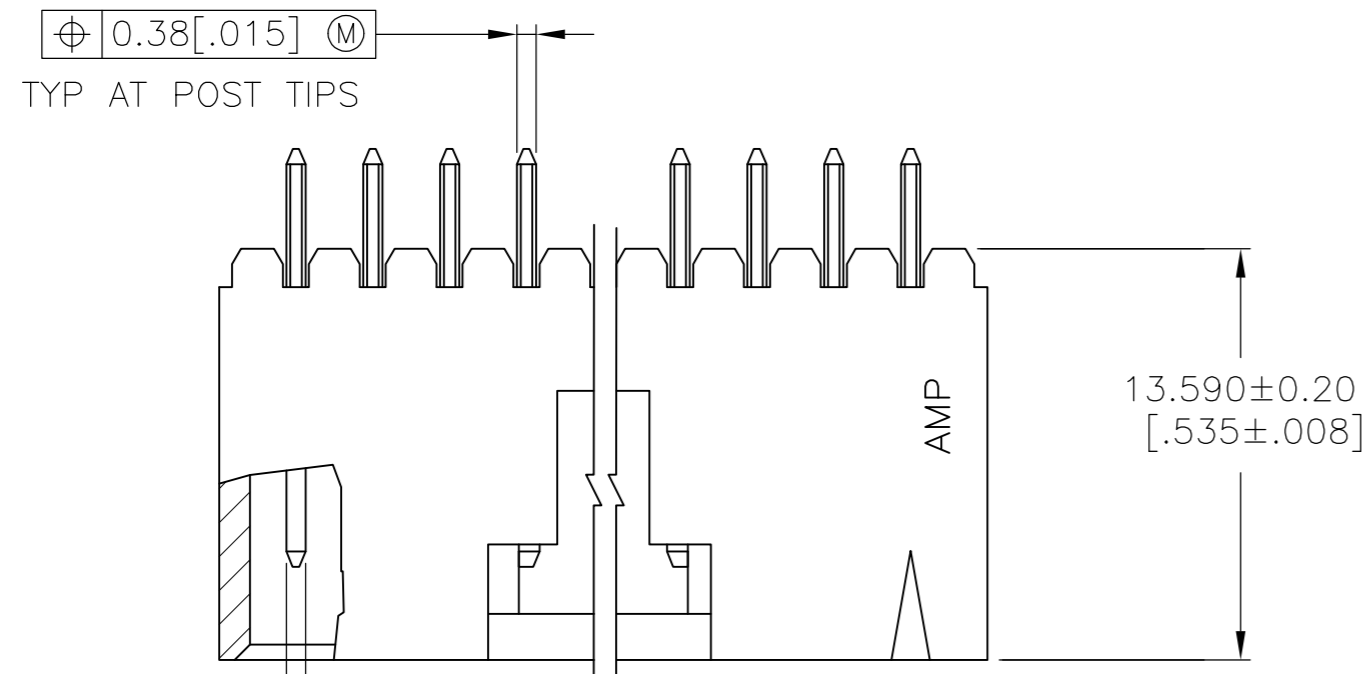
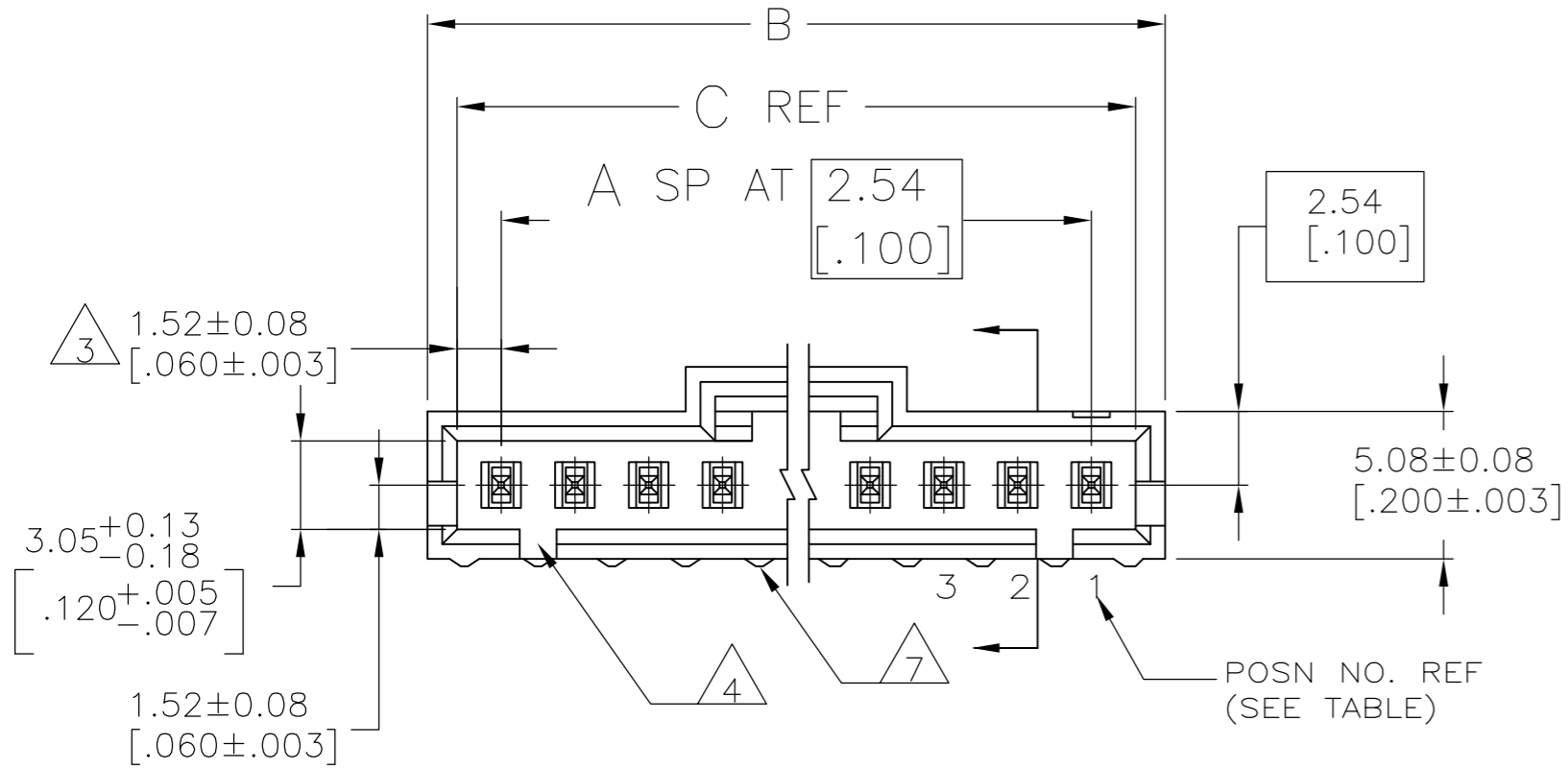


THIS DRAWING IS UNPUBLISHED. RELEASED FOR PUBLICATION
 © COPYRIGHT BY TYCO ELECTRONICS CORPORATION. ALL RIGHTS RESERVED.

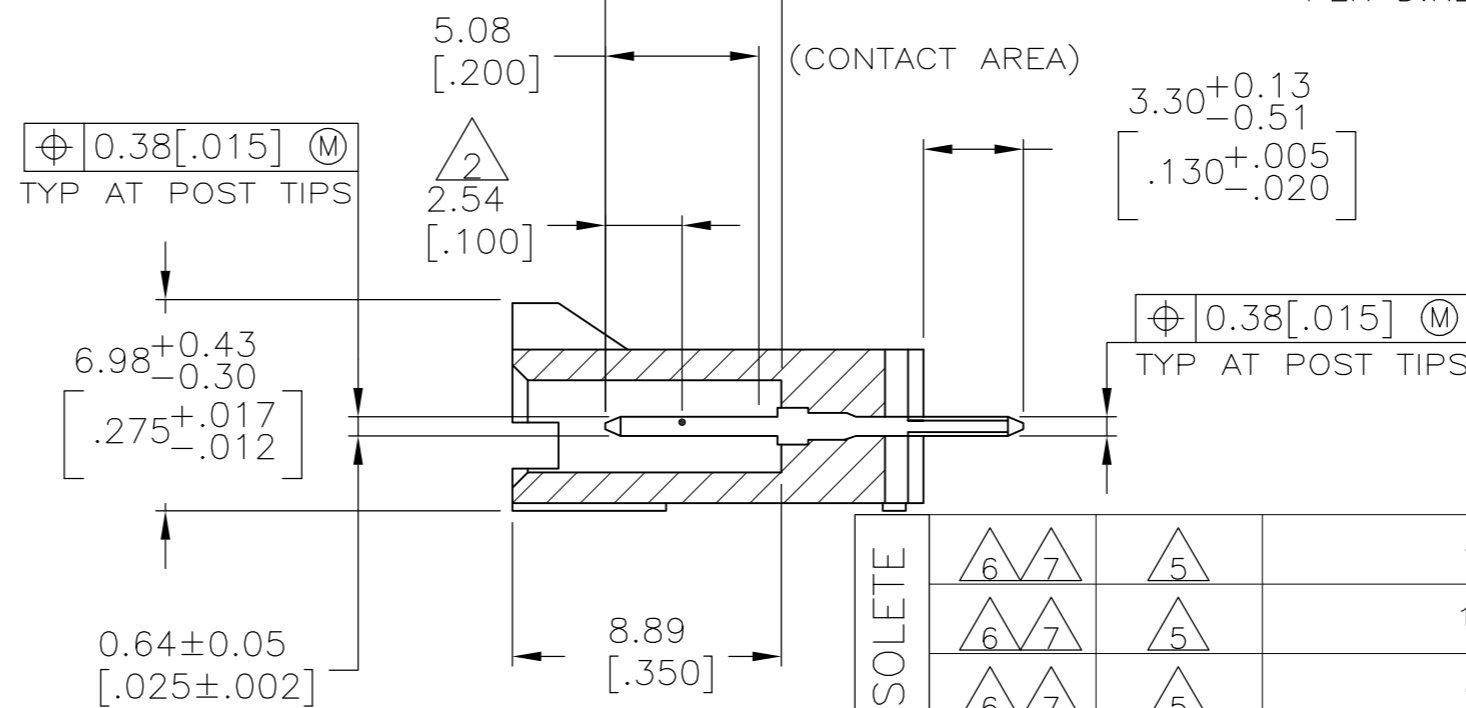
LOC		DIST		REVISIONS			
P	LTR	DESCRIPTION	DATE	DWN	APVD		
H1		ECO-05-6292	11APR06	MB	JLG		
H2		REVISED PER ECO-09-020689	02SEP09	KK	AEG		



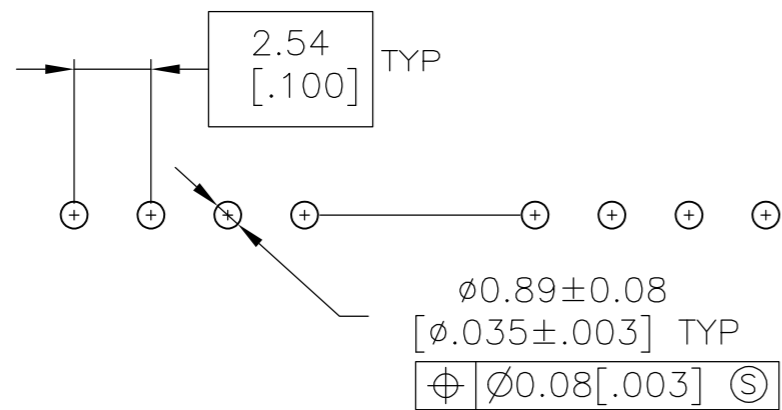
0.64 ± 0.02 [0.025 ± 0.001]
 0.38 [0.015] M TYP AT POST TIPS



0.38 [0.015] M TYP AT POST TIPS



- 1 .00038[.000015] GOLD IN THE CONTACT AREA, .00254[.000100] MATTE TIN-LEAD ON THE REMAINDER OF CONTACT, ALL OVER .00127[.000050] NICKEL.
- 2 POINT OF MEASUREMENT FOR PLATING THICKNESS.
- 3 THE NOTED DIMENSIONS APPLY AT THE INTERSECTION OF THE POST AND THE HOUSING.
- 4 ON ASSEMBLIES WITH FOUR OR MORE POSITIONS, TWO POLARIZATION SLOTS. ON ASSEMBLIES WITH TWO OR THREE POSITIONS, ONE POLARIZATION SLOT.
- 5 .00038[.000015] GOLD IN THE CONTACT AREA, .00254[.000100] MATTE TIN ON THE REMAINDER OF CONTACT, ALL OVER .00127[.000050] NICKEL.
- 6 HIGH TEMPERATURE CONFIGURATION.
- 7 STANDOFF NOT PRESENT ON UNDERSIDE OF ASSEMBLY
- 8 PRELIMINARY PART - NOT RELEASED FOR PRODUCTION.
- 9 OBSOLETE PARTS: OBSOLETE CIS STREAMLINING PER D.RENAUD/D.SINISI



RECOMMENDED HOLE LAYOUT

REMARKS	PLATING	POST NUMBER OMITTED	C	B	A	NO. OF POSN	PART NO.	
OBSOLETE	6 7	5	4	25.91 [1.020]	27.94 [1.100]	9	10	5-104903-4
OBSOLETE	6 7	5	11	28.45 [1.120]	30.48 [1.200]	10	11	5-104903-3
OBSOLETE	6 7	5	8	23.37 [0.920]	25.40 [1.000]	8	9	5-104903-2
OBSOLETE	6 7	5	3	15.75 [0.620]	17.78 [0.700]	5	6	5-104903-1
8		1	19	51.31 [2.020]	53.34 [2.100]	19	20	104903-6
8		1	2	41.15 [1.620]	43.18 [1.700]	15	16	104903-5
OBSOLETE		1	4	25.91 [1.020]	27.94 [1.100]	9	10	104903-4
OBSOLETE		1	11	28.45 [1.120]	30.48 [1.200]	10	11	104903-3
		1	8	23.37 [0.920]	25.40 [1.000]	8	9	104903-2
		1	3	15.75 [0.620]	17.78 [0.700]	5	6	104903-1

THIS DRAWING IS A CONTROLLED DOCUMENT.

DIMENSIONS: mm [INCHES]	TOLERANCES UNLESS OTHERWISE SPECIFIED:	DWN J.HERRINGTON 30-9-93	CHK J.GESFORD 30-9-93	APVD J.GESFORD 30-9-93	NAME
0 PLC ± -	1 PLC ± -	2 PLC ± 0.13[.005]	3 PLC ± -	4 PLC ± -	PRODUCT SPEC 108-25034
ANGLES ± -	FINISH SEE TABLE	APPLICATION SPEC 114-25026	WEIGHT -	SIZE A2	CAGE CODE 00779
MATERIAL HOUSING: FLAME RETARDANT THERMOPLASTIC COLOR - BLACK CONTACTS: BRASS		CUSTOMER DRAWING		DRAWING NO. C=104903	RESTRICTED TO -

Tyco Electronics Corporation Harrisburg, Pa 17105-3608

HDR ASSY, VERT, SINGLE ROW 2.54[.100]CL, 0.64[.025] SQ POST, WITH PLZN, AMPMODU MTE

SCALE 4:1 SHEET 1 OF 1 REV H2