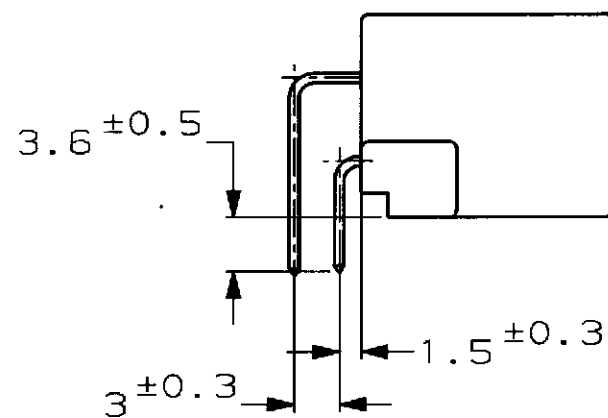
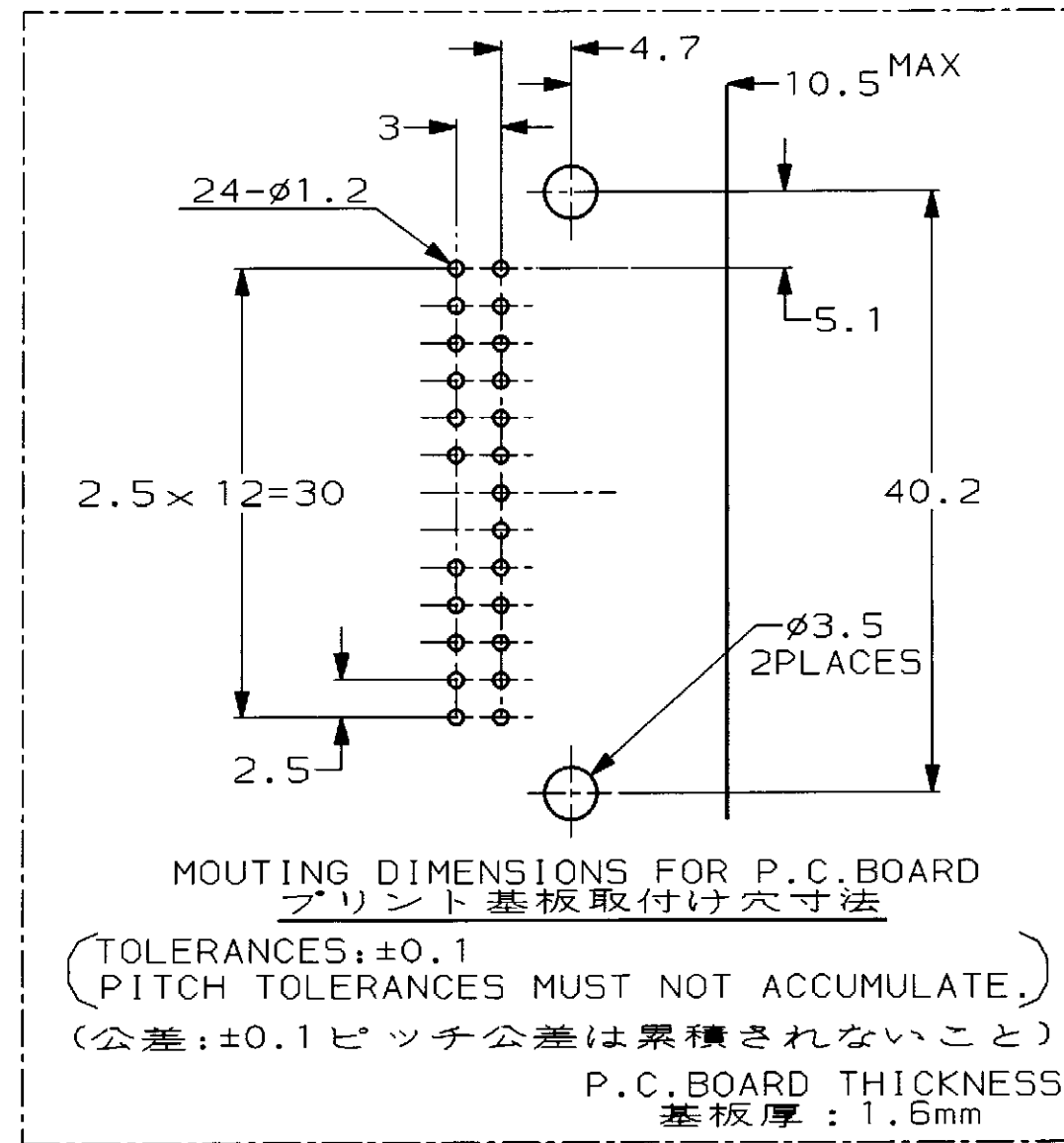
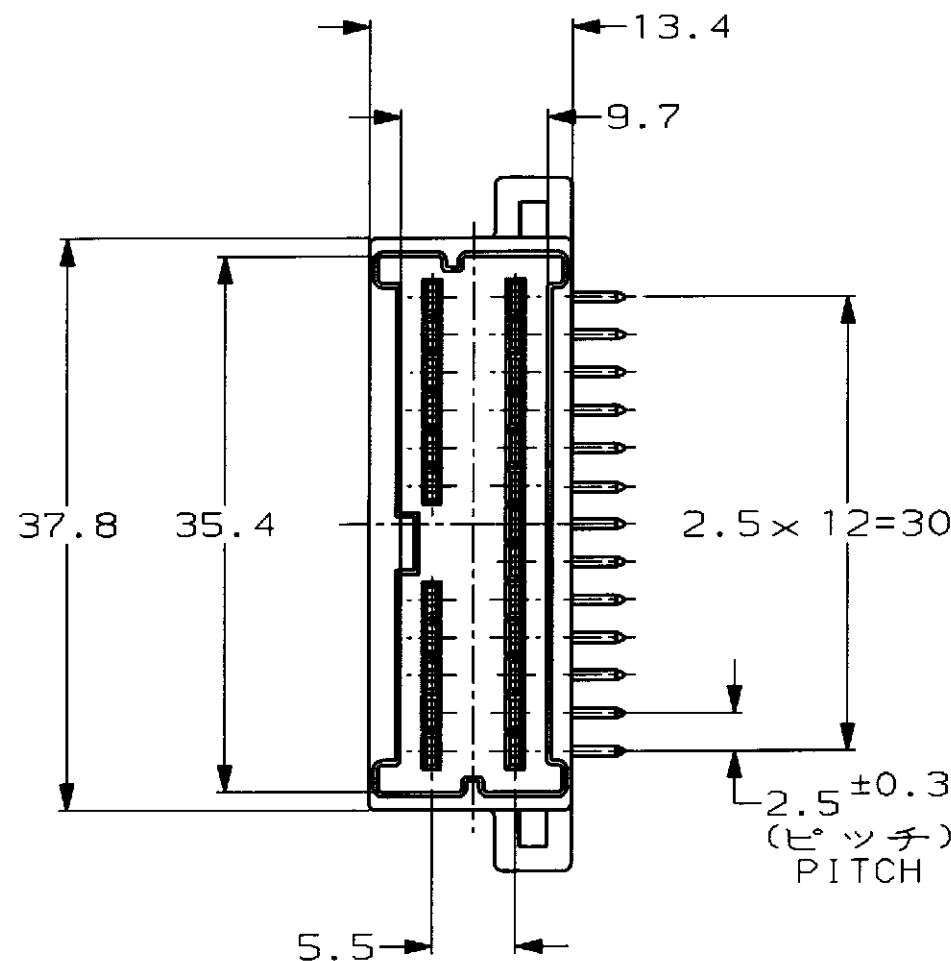
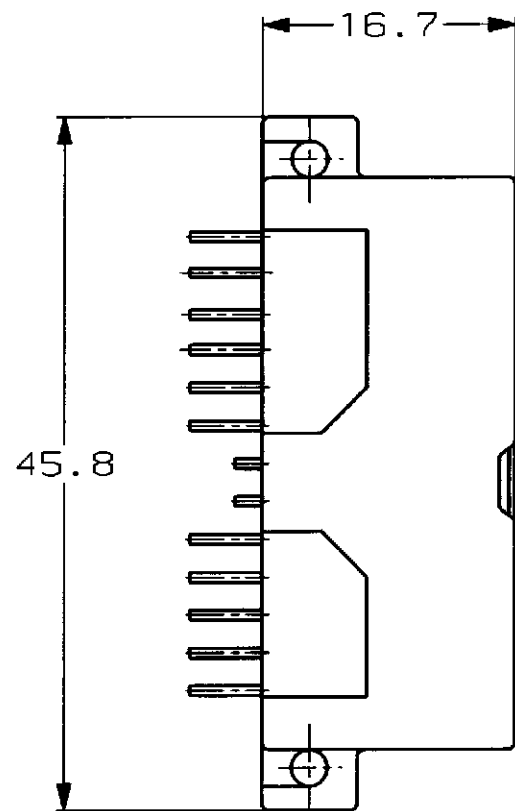


| P | LTR | DESCRIPTION | ECN | DATE | DWN | APVD |
|---|-----|-------------|--------------|---------|-----|------|
| B | | 再作成 REDRAWN | FJ00-0506-98 | 08APR98 | | |



1 RECOMMENDED MOUNTING SCREW: PAN-HEADED, TYPE 2 TAPPING SCREW OF 3DIA X 6LENGTH (JIS B1115, B1122), TIGHTENING TORQUE: 39.2N-cm [4Kg-cm] MAX

1 推奨取付ネジ: JIS B1115, B1122タッピングねじ, なべ2種, 呼び径3, 長さ6, 締付トルク: 39.2N-cm [4Kg-cm] 以下

| | | |
|---|---------------|-------------------|
| 1123387-1 | 自然色 (NATURAL) | 1123431-1 |
| 嵌合相手ハウジング型番 MATING HOUSING PART NUMBER | 色 (COLOR) | 型番 PART NUMBER |

| | | | |
|---|--|--|---|
| THIS DRAWING IS A CONTROLLED DOCUMENT FOR AMP INCORPORATED. IT IS SUBJECT TO CHANGE AND THE CONTROLLING ENGINEERING ORGANIZATION SHOULD BE CONTACTED FOR THE LATEST REVISION. | | AMP 日本エー・エム・シー株式会社 Kawasaki, Japan | |
| DIMENSIONS: 単位: 概 mm | TOLERANCES UNLESS OTHERWISE SPECIFIED 一般公差 10% : ±0.2 30% : ±0.25 100% : ±0.3 ANGLE : ±0.3° | NAME 040III MULTILOCK CONNECTOR 24POS CAP HOUSING ASSEMBLY WIRE TO BOARD (H) TYPE | RESTRICTED TO |
| MATERIAL 材料 PBT | FINISH 仕上 | PRODUCT SPEC 製品規格 108-5603 | 040III マルチロック コネクタ 24極 水平型 キャップハウジング アッセンブリ (対基板用) |
| WEIGHT 6.3g | | SIZE A3 | CAGE CODE 00779 |
| CUSTOMER DRAWING | | DRAWING NO 1123431 | SCALE 尺度 2:1 |
| | | SHEET 1 | OF 1 |
| | | REV B | |