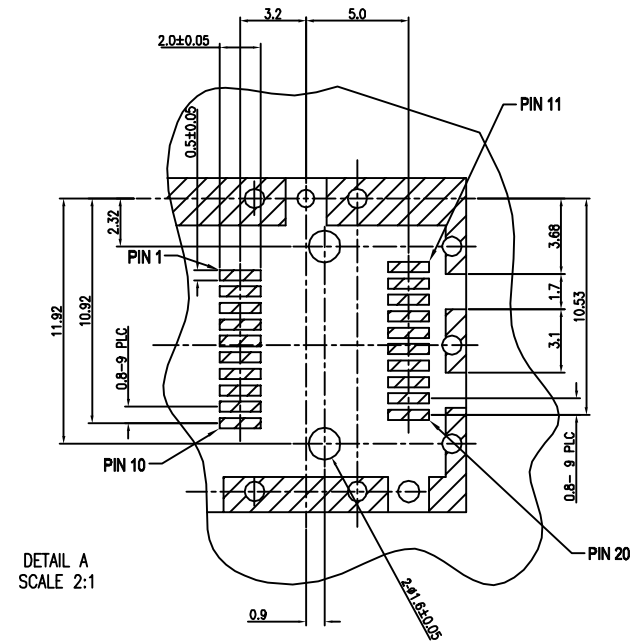


PCB LAYOUT THICKNESS=3.0mm (TOP VIEW)



DETAIL A
SCALE 2:1

8 | 7 | 6 | 5 | 4 | 3 | 2 | 1

H
G
F
E
D
C
B
A

		RoHS Compliant											
TOLERANCES EXCEPT AS NOTED		TITLE (Non-Logo)											
<table border="1"> <tr> <td>MM</td> <td>±</td> </tr> <tr> <td>.0 ± 0.2</td> <td>±</td> </tr> <tr> <td>.00 ± 0.15</td> <td>±</td> </tr> <tr> <td>.000 ± 0.075</td> <td>±</td> </tr> </table>		MM	±	.0 ± 0.2	±	.00 ± 0.15	±	.000 ± 0.075	±	SFP CAGE 1 BY 1 THROUGH HOLE			
MM	±												
.0 ± 0.2	±												
.00 ± 0.15	±												
.000 ± 0.075	±												
ANGLES ± 0.5		DFTO Jack		DRAWING NO. SFP CAGE005-L									
		DATE 12/14/06'		/PART NO.									
THIRD ANGLE PROJECTION		SCALE : 1:1		DO NOT SCALE DRAWING									
				SIZE A3	REV 0								
				SHEET 2 OF 2									