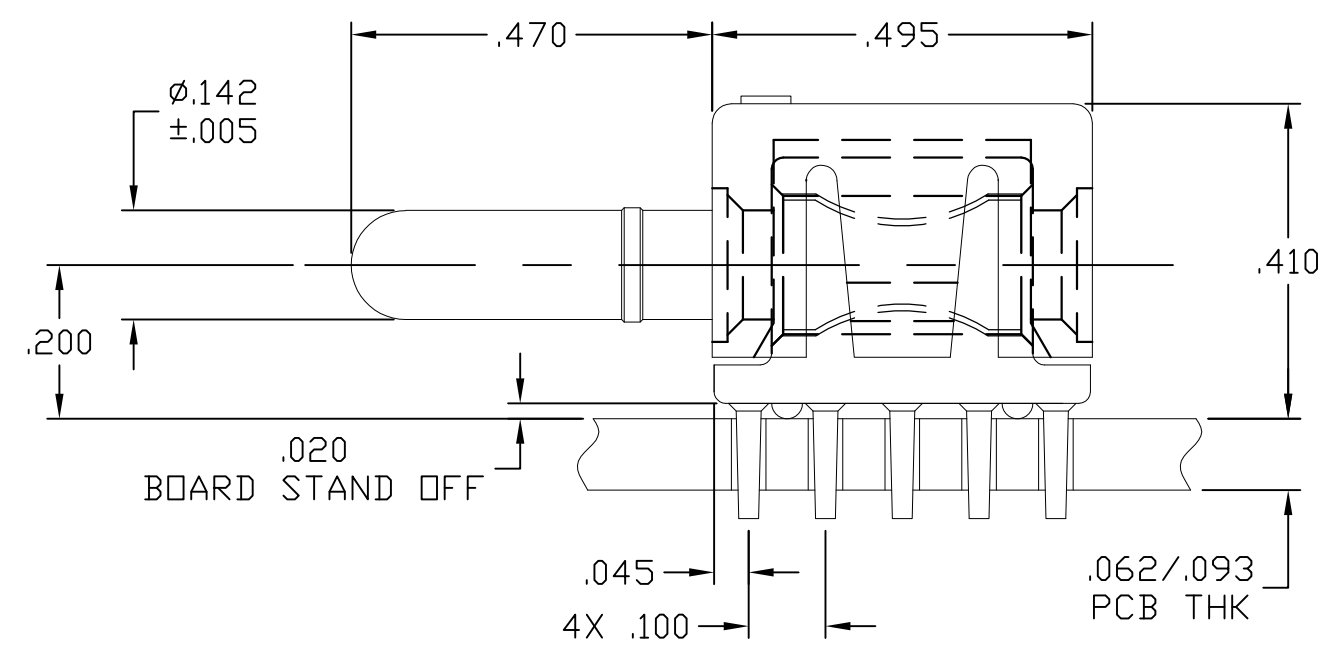
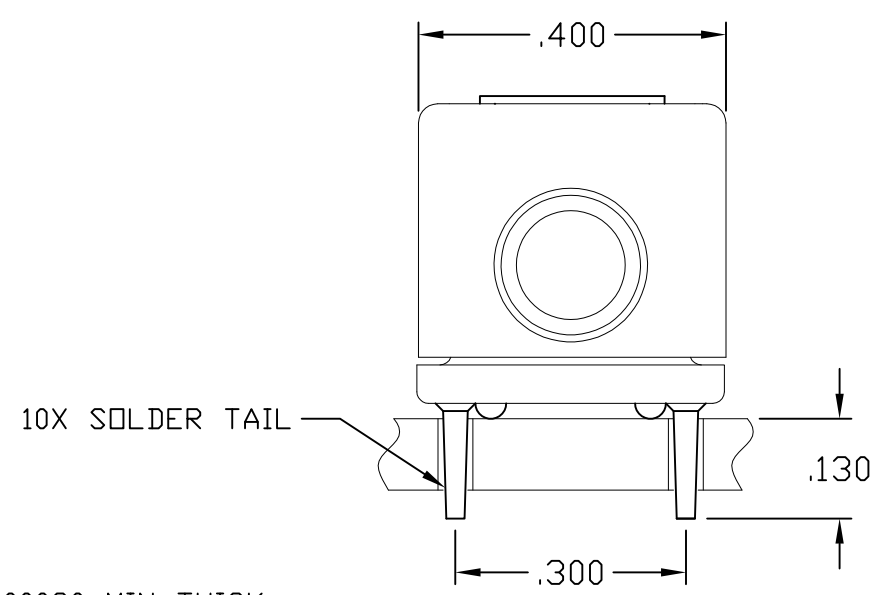
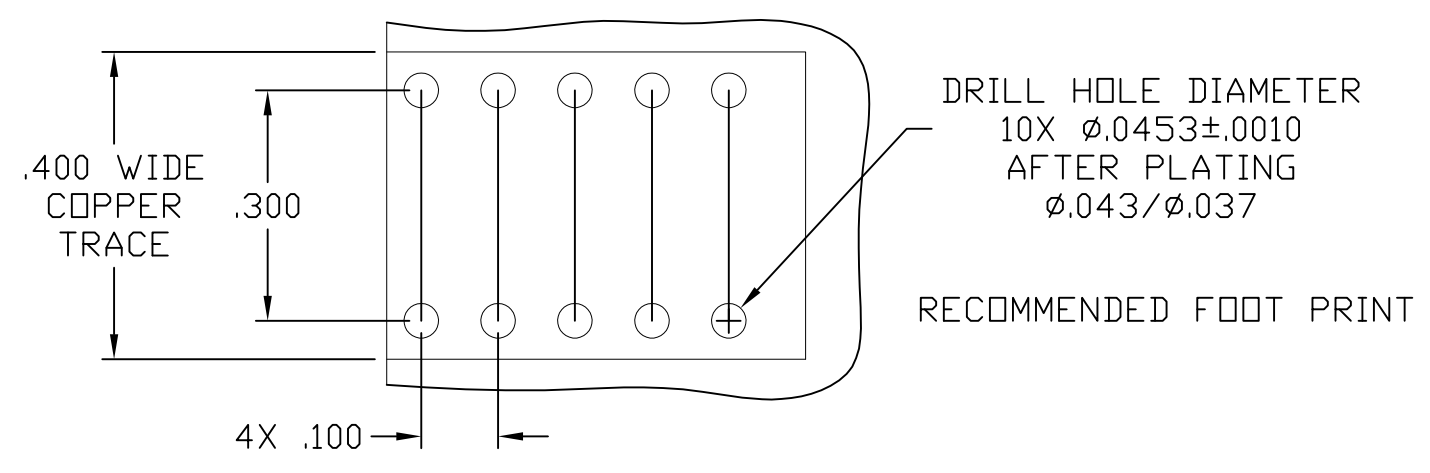


THIS DRAWING IS UNPUBLISHED. RELEASED FOR PUBLICATION
 © COPYRIGHT - By - ALL RIGHTS RESERVED.

| LOC | DIST | REVISIONS | | | | | |
|-----|------|-----------|-----|-----------------------|-----------|-----|------|
| GP | 00 | P | LTR | DESCRIPTION | DATE | DWN | APVD |
| | | C | | REV PER ECO-11-007678 | 11MAY2011 | RG | DO |



4. FINISHES:
 CROWN: GOLD PLATED, .000030 MIN THICK
 OVER NICKEL PLATED, .000040 MIN THICK.
 INSERT: SILVER PLATED, .000200 MIN THICK,
 OVER NICKEL PLATED, .000040 MIN THICK.
 CONTACT: SILVER PLATED, .000200 MIN THICK,
 OVER NICKEL PLATED, .000040 MIN THICK.

3. MATERIALS:
 HOUSING: THERMOPLASTIC, GLASS REINFORCED, COLOR-BLACK
 UL94V-0 FLAMMABILITY RATED
 INSERT: ZINC ALLOY, CASTING
 CROWN: COPPER ALLOY
 CONTACT: BRASS ALLOY

2. ITEMS PROVIDED TO THIS SPECIFICATION SHALL BE IDENTIFIED ON THE CONTAINER WITH THE FOLLOWING INFORMATION: PART NUMBER & DATE CODE OF MANUFACTURE.

1. INTERCHANGEABILITY REQUIRE PRIOR TE APPROVAL AND AUTHORIZATION BY REVISION TO THIS DRAWING.

5. A FIVE POUND (5lb) FORCE IS REQUIRED TO CORRECTLY SEAT THE CONNECTOR WITH PLATED THRU HOLES LESS THAN $\phi.040$ INCH.

6643276-1
 PART NUMBER

| | | | | | | | |
|---|--|--|--|-----------|------------|---------------|---|
| THIS DRAWING IS A CONTROLLED DOCUMENT. | | DWN HA/GRZYBOWSKI 06/19/06 | TE Connectivity ICCON, PIN, SIZE No.8 PARALLEL SOLDER TAIL, 10 PIN FOOT PRINT LOCKING STYLE, .470 PIN EXT | | | | |
| DIMENSIONS: INCHES | | CHK - APVD FLICKINGER 06/19/06 PRODUCT SPEC | | | | | |
| 0 PLC $\pm -$ 1 PLC $\pm -$ 2 PLC $\pm .02$ 3 PLC $\pm .010$ 4 PLC $\pm -$ ANGLES $\pm .5$ | | NAME | SIZE | CAGE CODE | DRAWING NO | RESTRICTED TO | |
| MATERIAL - | | FINISH - | WEIGHT - | A3 | 00779 | C-6643276 | - |
| CUSTOMER DRAWING | | | SCALE | SHEET | REV | | |
| | | | 4:1 | 1 OF 1 | C | | |