

NFB2 Series

ANL Fuse Block with Translucent Molded Cover

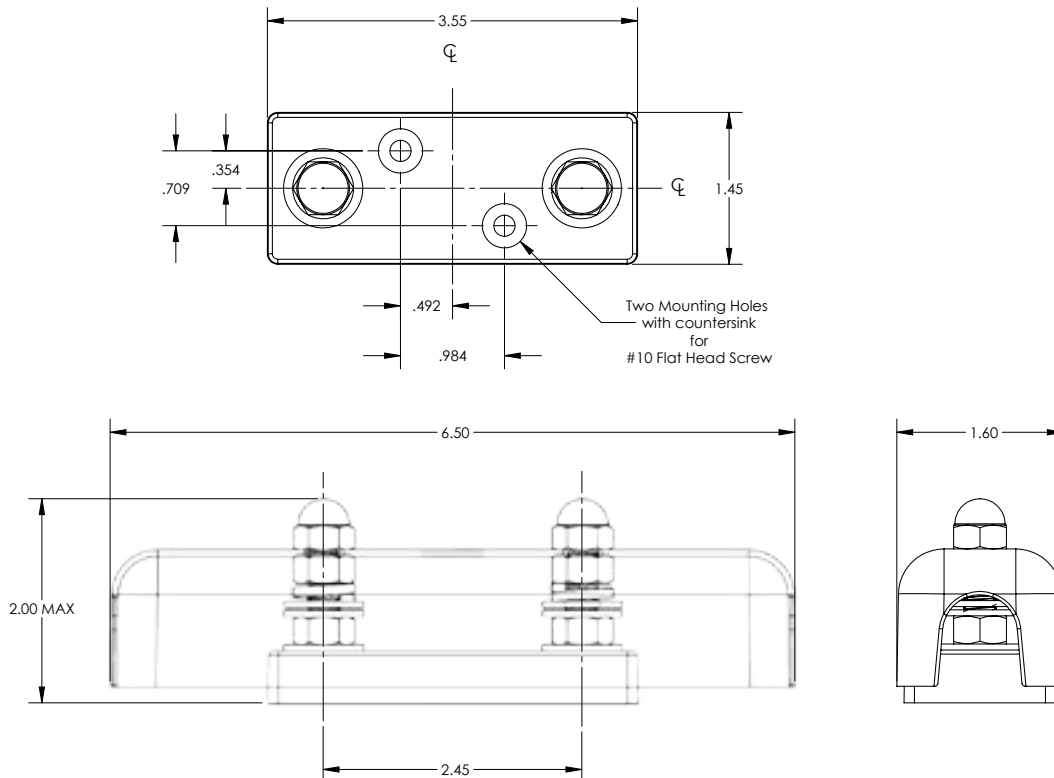


FUSE NOT INCLUDED



- Accepts ANL style fuses
- Current Rating 50 to 500 Amps
- Stainless Steel Hardware
- Common Applications:
Solar Generators, Wind Power, Heavy Industry, Electroplating, Battery Chargers, Mining, Automotive Accessories

SPECIFICATIONS	
Rated Current Range	NFB2 accepts ANL style fuses from 50 to 500 amps
Operating Temp.	-40°C to +100°C
Storage Temp.	-55°C to +100°C
Dielectric Strength	750VDC (Terminal Block to Base)
Materials	Base: Glass filled Polycarbonate Cover: Clear Touch Save Polycarbonate with Nylon Acorn Nuts Hardware: 18-8 Stainless Steel



Ordering Information

Part Description: Part Type

Example: **NFB2**