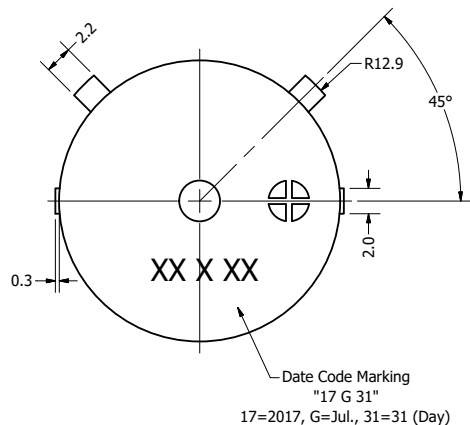
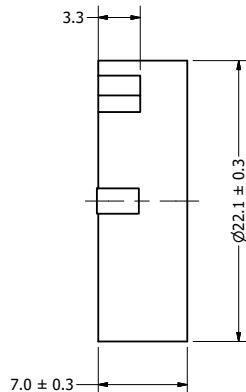


Part Number:	TP224012-1	
	DRAWN	7/31/2017
	CHECKED	8/9/2017
Description:	Piezo Transducer	APPROVED
		C.E.
This document contains data proprietary to DB Unlimited. Any use or reproduction, in any form, without prior written permission of DB Unlimited is prohibited. All terms and conditions can be found at <a href="http://www.dbunlimitedco.com">www.dbunlimitedco.com</a>		

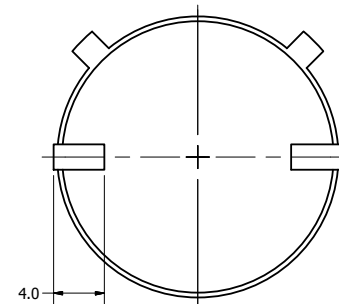
Top View



Side View



Bottom View



Items	Specifications	Conditions
Min. Sound Pressure Level	90	dBa (@ 10cm)
Resonant Frequency	4,000	Hz
Rated Voltage	12	Vp-p
Voltage Range	1 ~ 30	Vp-p
Capacitance	19,000 ± 30%	pF
Max. Rated Current	7	mA
Storage Temperature	-20 ~ +75	°C
Operating Temperature	-20 ~ +70	°C
Connection Method	Surface Mount Pads	
Mount Type	Surface Mount	
Housing Material	PPS	
Weight	2.8	g

REVISION HISTORY			
REV	DESCRIPTION	DATE	APPROVED
	Released from Engineering	10/21/2013	J.S.
1	Updated template, New location and day added to date code, changed capacitance	8/9/2017	C.E.

NOTES			
1) All dimensions are in mm unless otherwise noted			
2) All tolerances are ± 0.5 mm unless otherwise noted			
3) All parts meet RoHS			
4) Subject to change or redrawn without notice			