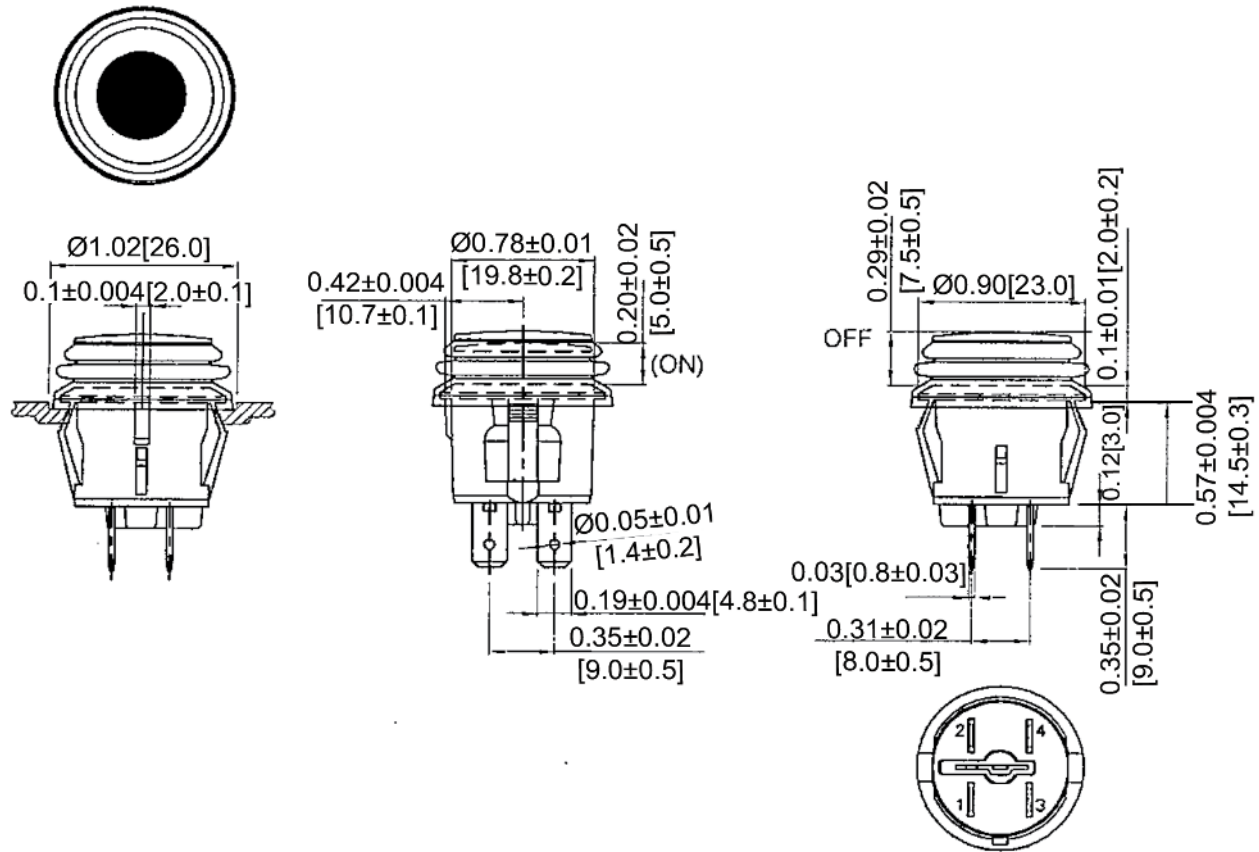
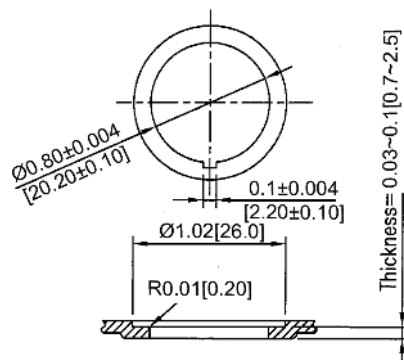


Mechanical Dimensions: Inches [mm]

Tolerances ± 0.012 [0.3] Unless Otherwise Specified

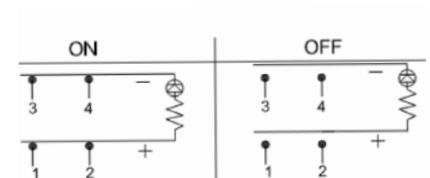


Mounting Hole



Circuit Diagram

4P DPST OFF-ON (LED-D)



Electrical Specifications

| | |
|-----------------------|----------------------|
| Rating | 20A 14V DC |
| Contact Resistance | 50m ohm Max. |
| Insulation Resistance | DC 500V 100M ohm Min |
| Dielectric Strength | AC 1500V 1 minute |
| Operation Temperature | -20°C ~ 65°C |

Material Specifications

| | |
|-------------------|-----------------------------|
| Frame | Black, Nylon 66 |
| Actuator | Red Clear, PC |
| Terminals | Silver Plated, Copper Alloy |
| Waterproof Rubber | Black, Silicone |
| LED | Red (Dependent) |

Push Switch

PB-2A-DC-2-RDL



| Rev | Date of issue | Revision Notes | Designed | Approved |
|-----|---------------|-----------------|----------|----------|
| A | 05-18-2021 | Initial Drawing | RC | OF |