



## BF SERIES PHOTOCONTROL

### THERMAL, INDUSTRIAL GRADE WITH SURGE PROTECTION

#### KEY FEATURES

- 180 Joule MOV surge protection
- Heavy-duty thermal bi-metal switch
- 30 - 45 second time delay
- UL | CSA Listed
- ANSI C136.10 compliant
- Fail mode is ON

Our BF Series offers a locking style control ideal for industrial and commercial lighting applications.

The BF Series is engineered to meet the needs of virtually every outdoor lighting control application utilizing HID luminaires with locking style receptacles. Typical applications include parking lots, security lighting, street, and other types of area lighting.

Controls include a heavy-duty thermal bi-metal switch that provides a 30 - 45 second time delay. This virtually eliminates unwanted lamp cycling that could be caused by lightning, car headlights, or other sudden changes in ambient light level. BF controls are also equipped with 180 Joule MOV to protect both the photocontrol and luminaire from sudden surges in line voltage.

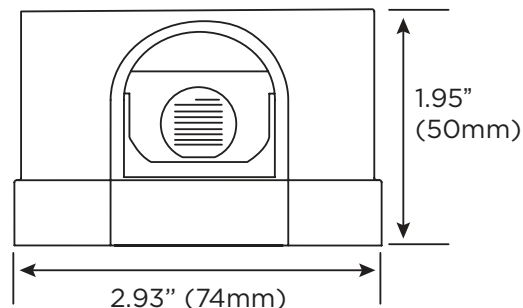
**Customers can count on consistent, high quality products, driven by TE's proven innovation and backed by our extraordinary customer support.**

## BF Series Photocontrol



The BF Series is the result of over fifty years of experience designing and delivering superior photocontrols and other lighting accessories in the US and around the world.

TECHNICAL INFORMATION	
Rated Volts	105 - 305 VAC
Frequency	50 - 60 Hz
Operating Light Levels	Standard 1.5 Fc ON
Time Delay	30 - 45 Second Delay ON and OFF
OFF/ON Ratio	4 : 1
Fail Mode	ON
Surge Protection	180 Joules
Rated Life	4 years



SPECIFICATION	
Physical	Dimensions: approx. 2.93" (74mm) dia x 1.98" (50mm)
	Enclosure: designed to meet ANSI C136.10
	Power consumption: less than 0.9 watts (avg.) at 120 VAC
Temperature	Minus 40°C to plus 65°C at 96% RH
Switch	SPST thermal bi-metallic exceeds 7500 ON/OFF operations at rated load
Load Rating	000 Watt Tungsten 1800 VA ballast
Cover	High impact Noryl with UV stabilized acrylic window
Base	High temperature polyester (PBT)
Gasket	Cross-linked polyethylene
Connection	3-pole locking-type with solid brass legs
Light Sensor	1/2" Cadmium Sulfide (Cds) Cell

PRODUCT SELECTION INFORMATION							
Description	Rated Volts	Range (Volts)	Load Rating Tungsten (Watts)	Load Rating Ballast (VA)	Surge Protection (Joules)	Turn ON (Fc)	OFF/ON Ratio
BF-120	120	105 - 130	1000	1800	180	1.5	4 : 1
BF-208-277	208/240/277	185 - 305	1000	1800	180	1.5	4 : 1
BF-PV	120 or 208/240/277	105 - 305	1000	1800	180	1.5	4 : 1



[te.com/energy](http://te.com/energy)

©2019 TE Connectivity. All Rights Reserved. E338-0719-EN

Raychem, TE, TE Connectivity and the TE connectivity (logo) are trademarks of the TE Connectivity Ltd. Family of companies. Other logos, product and Company names mentioned herein may be trademarks of their respective owners. While TE has made every reasonable effort to ensure the accuracy of the information in this brochure, TE does not guarantee that it is error-free, nor does TE make any other representation, warranty or guarantee that the information is accurate, correct, reliable or current. TE reserves the right to make any adjustments to the information contained herein at any time without notice. TE expressly disclaims all implied warranties regarding the information contained herein, including, but not limited to, any implied warranties of merchantability or fitness for a particular purpose. The dimensions in this brochure are for reference purposes only and are subject to change without notice. Specifications are subject to change without notice. Consult TE for the latest dimensions and design specifications

### FOR MORE INFORMATION: TE Technical Support Centers

USA:	+ 1 800 327 6996
France:	+ 33 380 583 200
UK:	+ 44 0870 870 7500
Germany:	+ 49 896 089 903
Spain:	+ 34 916 630 400
Italy:	+ 39 333 250 0915
Benelux:	+ 32 16 508 695
Canada:	+ 1 (905) 475-6222
Mexico:	+ 52 (0) 55-1106-0800
Latin/S. America:	+ 54 (0) 11-4733-2200
China:	+ 86 (0) 400-820-6015