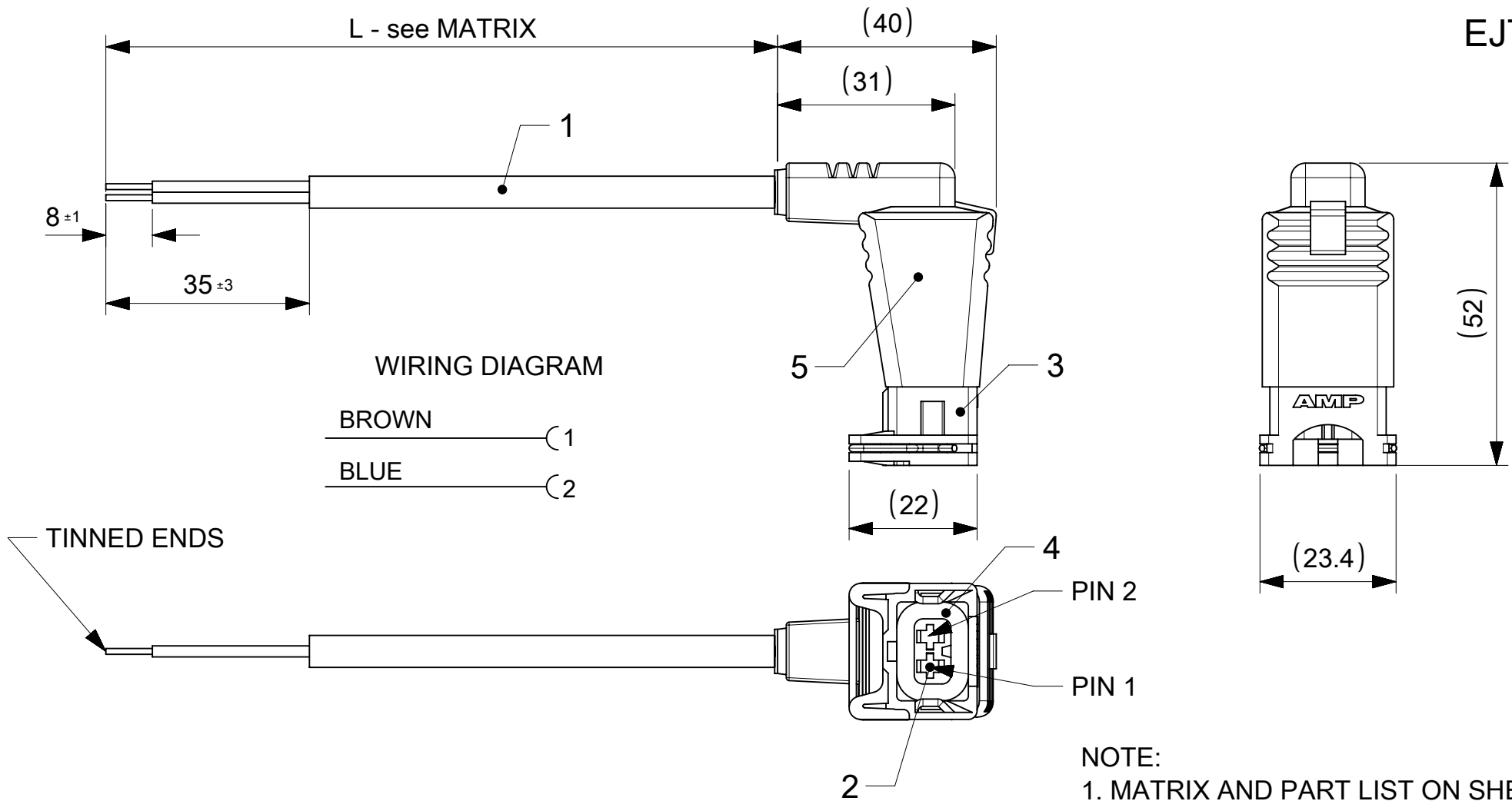


EJTG



NOTE:
 1. MATRIX AND PART LIST ON SHEET 2
 2. VOLTAGE RATING: 24V

BILL OF MATERIALS

ITEM	QTY.	DESCRIPTION	MATERIAL	FINISH/COLOR
1	-	CABLE	SEE MATRIX	-
2	2	CONTACT FEMALE	PH. BRONZE	-
3	1	HOUSING 2P	PA6.6	BLACK
4	1	GASKET	SILICONE	WHITE
5	-	MOULDING MATERIAL	PP	BLACK

FUNCTIONAL SYMBOLS	THIS DRAWING CONTAINS INFORMATION THAT IS PROPRIETARY TO MOLEX ELECTRONIC TECHNOLOGIES, LLC AND SHOULD NOT BE USED WITHOUT WRITTEN PERMISSION						
	DIMENSION UNITS	SCALE	CURRENT REV DESC:				
$\nabla_A = 0$	mm	1:1	GENERAL TOLERANCES (UNLESS SPECIFIED)				
$\nabla_E = 0$							
$\nabla_P = 0$	ANGULAR TOL ± °		EC NO: 693334 DRWN: APAWLAK01 2022/01/24 CHK'D: RSILLER 2022/01/26 APPR: RSILLER 2022/01/26				
DIVISIONAL SYMBOLS	4 PLACES	±					
	3 PLACES	±	INITIAL REVISION: DRWN: APAWLAK01 2021/10/14 APPR: RSILLER 2021/10/19				
	2 PLACES	±					
	1 PLACE	±	DOCUMENT NUMBER 1210460016				
	0 PLACES	±					
DRAFT WHERE APPLICABLE MUST REMAIN WITHIN DIMENSIONS		THIRD ANGLE PROJECTION	DRAWING	SERIES	MATERIAL NUMBER	CUSTOMER	SHEET NUMBER
			A4-SIZE	121046	SEE SHEET 2	GENERAL MARKET	1 OF 2

molex

JUNIOR TIMER 2P FE RA EJTGXXXXXX

PRODUCT CUSTOMER DRAWING

DOC TYPE	DOC PART	REVISION
PSD	000	A1

PART No MATRIX

E J T G X X X X X X

JUNIOR CONNECTORS

CONNECTOR TYPE:
G - 2 WIRES, ANGLED

CABLE TYPE:
B3 - PUR BLACK 2x18AWG
N2 - PVC BLACK 2x0.5mm²
N3 - PVC BLACK 2x0.75mm²
P2 - PUR BLACK 2x0.5mm²
P3 - PUR BLACK 2x0.75mm²

HEAD COLOR:
N - BLACK
A - UL BLACK


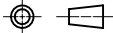
CABLE LENGTH [cm]
050 = 50cm
300 = 300cm
10K = 1000cm

PART LIST

MOLEX PN	ENGINEERING NO	L±TOL. [mm]
1210460016	EJTGP3N150	1500±30
1210460022	EJTGP3N500	5000±40
1210460033	EJTGP3N200	2000±30
1210460048	EJTGP2N150	1500±30

TABLE OF LENGHT TOLERANCES

OVER	UP TO AND INCLUDING	TOLERANCE
0	1000	±20
1000	3000	±30
3000	5000	±40
5000	10000	±50
10000	15000	±100
15000	20000	±150
20000		±L/100

FUNCTIONAL SYMBOLS $\frac{F}{A} = 0$ $\frac{F}{E} = 0$ $\frac{F}{P} = 0$	THIS DRAWING CONTAINS INFORMATION THAT IS PROPRIETARY TO MOLEX ELECTRONIC TECHNOLOGIES, LLC AND SHOULD NOT BE USED WITHOUT WRITTEN PERMISSION		DIMENSION UNITS mm		SCALE 1:1	CURRENT REV DESC:		 JUNIOR TIMER 2P FE RA EJTGXxxxxxx			
	GENERAL TOLERANCES (UNLESS SPECIFIED)		ANGULAR TOL ± °		EC NO: 693334 DRWN: APAWLAK01 2022/01/24 CHK'D: RSILLER 2022/01/26 APPR: RSILLER 2022/01/26		PRODUCT CUSTOMER DRAWING				
DIVISIONAL SYMBOLS	4 PLACES ±	3 PLACES ±	2 PLACES ±	1 PLACE ±	0 PLACES ±	INITIAL REVISION: DRWN: APAWLAK01 2021/10/14 APPR: RSILLER 2021/10/19		DOCUMENT NUMBER 1210460016	DOC TYPE PSD	DOC PART 000	REVISION A1
	DRAFT WHERE APPLICABLE MUST REMAIN WITHIN DIMENSIONS		THIRD ANGLE PROJECTION		DRAWING 	SERIES A4-SIZE 121046	MATERIAL NUMBER SEE PART LIST	CUSTOMER GENERAL MARKET	SHEET NUMBER 2 OF 2		

DOCUMENT STATUS P1 RELEASE DATE 2022/01/26 12:36:00