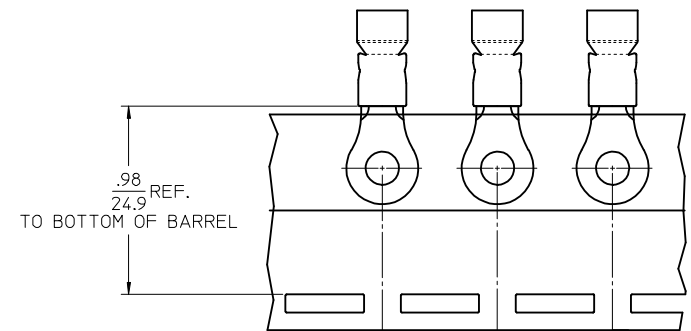
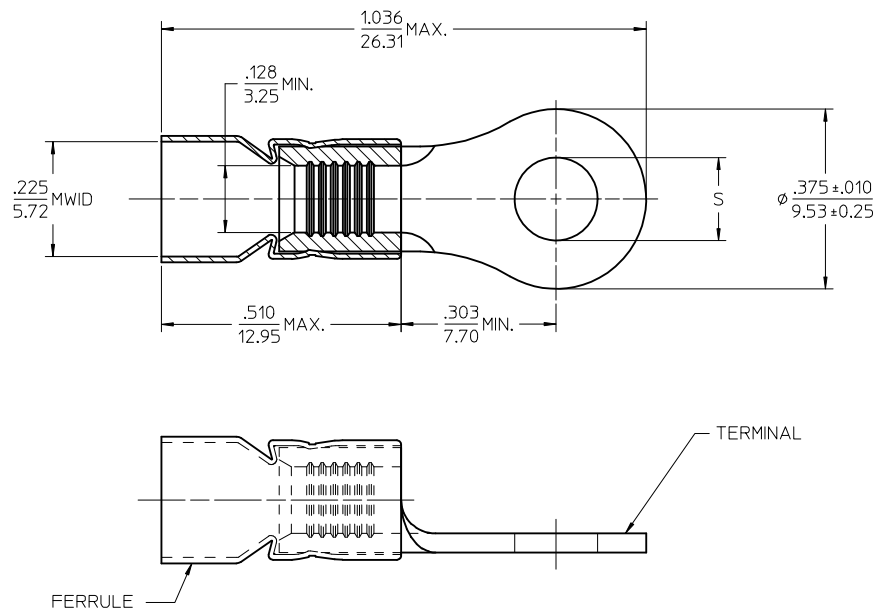


| LOOSE PIECE BOX | | TAPE MOUNTED PARTS | | STUD SIZE | SPECIFICATION "S" ±.005/0.13 | TERMINAL BASE METAL | TERMINAL FINISH/PLATING | FERRULE BASE METAL | FERRULE FINISH/PLATING |
|-----------------|--------------------|--------------------|--------------------|-----------|------------------------------------|------------------------|----------------------------|-----------------------|---------------------------|
| MATERIAL NUMBER | ENGINEERING NUMBER | MATERIAL NUMBER | ENGINEERING NUMBER | | | | | | |
| 190720094 | C-428-06 | --- | --- | 6 | .146/3.71 | COPPER | TIN | BRASS | TIN |
| 190720097 | C-428-08 | --- | --- | 8 | .173/4.39 | COPPER | TIN | BRASS | TIN |
| 190720100 | C-428-10 | 190720101 | C-428-10T | 10 | .198/5.03 | COPPER | TIN | BRASS | TIN |
| 190720142 | C-428-10X | --- | --- | 10 | .198/5.03 | COPPER | TIN | BRASS | TIN |
| 192030236 | C-T-428-08 | --- | --- | 8 | .173/4.39 | COPPER | NICKEL | BRASS | NICKEL |
| 192030237 | C-U-428-10 | 192030122 | C-U-428-10T | 10 | .198/5.03 | NICKEL | NONE | BRASS | NICKEL |



SALES DRAWING

NOTES:

1. MWID = MAXIMUM WIRE INSULATION.
2. WIRE SIZE: 12-10 AWG, 4.0-6.0 MM²
3. PARTS ARE ROHS COMPLIANT.

| | | | | | | | | | | |
|---|-------------------------------|---------------------------------------|---------------|--------------------------|-------------------------|---|---|------------------------|--|--|
| RELEASED EC NO: IPG2015-0866 DRAWING: JASO1 2014/11/06 CHKD: JMACNEIL 2014/11/06 APPR: JMACNEIL 2014/12/10 | QUALITY SYMBOLS ▽=0 ▽=0 | GENERAL TOLERANCES (UNLESS SPECIFIED) | | DIMENSION STYLE IN/MM | | SCALE 5:1 | DESIGN UNITS INCH | THIRD ANGLE PROJECTION | | |
| | | 4 PLACES ± | mm | INCH | DRAWN BY DLM | DATE 2002/08/23 | TITLE RING TONGUE TERMINALS 12-10 AWG, VIBRAKRIMP | | | |
| | | 3 PLACES ± | --- | ±.005 | CHECKED BY JMACNEIL | DATE 2014/11/05 | | | | |
| | | 2 PLACES ± | 0.13 | ±.01 | APPROVED BY JMACNEIL | DATE 2014/12/10 | | | | |
| 1 PLACE ± | 0.25 | ± | MATERIAL NO. | | DOCUMENT NO. | | SHEET NO. | | | |
| 0 PLACE ± | ± | ± | ANGULAR ±1/2° | | SEE CHART | | SD-19072-003 | | | |
| DRAFT WHERE APPLICABLE MUST REMAIN WITHIN DIMENSIONS | | | | SIZE C | | THIS DRAWING CONTAINS INFORMATION THAT IS PROPRIETARY TO MOLEX INCORPORATED AND SHOULD NOT BE USED WITHOUT WRITTEN PERMISSION | | | | |