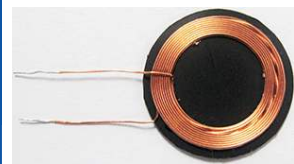


Rx Wireless Charging Coil Assembly



Ø18.3 x 1.8 mm

AWCCA-18R18H10-C01-B



RoHS / RoHS II Compliant

Moisture Sensitivity Level (MSL) – MSL = 1

FEATURES:

- Wireless Charging Receiver single Coil (10.5µH)
- Outline Dimensions : Ø18 mm x 1.8mm
- For Rx applications
- High permeability shielding to protect sensitive electronics
- Durable construction
- RoHS / RoHS II Compliant & Pb free.

APPLICATIONS:

- Batteries and Battery Chargers
- Consumer Electronics
- Smart Watches
- Digital Cameras and Camcorders
- Wireless Charging Stations
- Mobile Phones & Charging Accessories
- Power Supplies
- Power Tool Manufacturers

DESCRIPTION & KEY ELECTRICAL SPECIFICATIONS

The AWCCA-18R18H10-C01-B is a Wireless Charging Coils that can be used in receive applications. This is a single coil design with inductance of 10.5µH.

Maximum Ratings

Item	Value
Operating Temperature Range	T=-40°C ~ 85°C, RH≤ 90%.
Storage Temperature Range	-40°C~85°C, 70%RH (Max.)

Part Number	Inductance	DC Resistance	Q
AWCCA-18R18H10-C01-B	10.5µH ±10%	220 mΩ max	17.2±30%
Test Condition	100KHz / 1V	20±10°C	100KHz/1V
Test Environment	Temperature: 20°C, RH: 70%		

Test Conditions

Ambient Temperature: 20±10°C, RH: 65% ±20%.

If any doubt on the results, measurements/tests should be made within the following limits:

Ambient Temperature: 20±2°C, RH: 65%±5%

PART IDENTIFICATION:

AWCCA-18R18

H10

- C

01

- B

Height

H10 = 1.0mm

Feature

C = Coil

Design Code

01

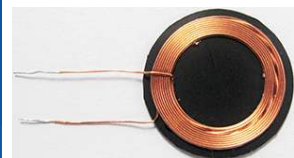
Packaging

B: Box

Rx Wireless Charging Coil Assembly

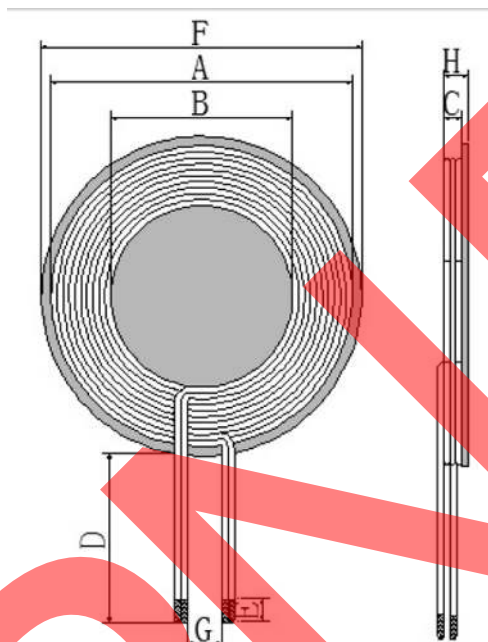
AWCCA-18R18H10-C01-B

 RoHS / RoHS II Compliant



Ø18.3 x 1.8 mm

OUTLINE DIMENSIONS:



Item	A	B	C	D	E	F	G	H
Spec	16.5±1.0	11.0±0.5	1.1±0.2	15.0±2.0	2-4	18.3±0.5	3.0 ref.	1.8 max.

Number of Coils	Wire	Number of Turns	Inductance
1	2RS-N 0.25G*2P	19 REF	10.5±10%µH

Wave Soldering Profile: Not suitable for wave soldering

Manual Soldering: 350°C Max, 3secs

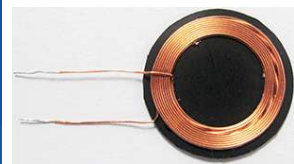
Packaging: Box, 2700pcs

Rx Wireless Charging Coil Assembly

AWCCA-18R18H10-C01-B



RoHS / RoHS II Compliant



Ø18.3 x 1.8 mm

STORAGE AND OPERATIONAL CONDITION:

Storage condition

- Recommended storage conditions: -25°C~85°C, 70%RH (Max.)
- Service life: Within the limits of six month from being produced.
- The appearance and solder ability should be check, if product is not in expiry date.

Operation Conditions

- Use condition limit: T=-25°C ~ 85°C, RH≤ 90%.

NOTE:

- The parts are manufactured in accordance with this specification. If other conditions and specifications which are required for this specification, please contact ABRACON for more information.
- ABRACON will supply the parts in accordance with this specification unless we receive a written request to modify prior to an order placement.
- In no case shall ABRACON be liable for any product failure from in appropriate handling or operation of the item beyond the scope of this specification.
- When changing your production process, please notify ABRACON immediately.
- ABRACON LLC's products are COTS – Commercial-Off-The-Shelf products; suitable for Commercial, Industrial and, where designated, Automotive Applications. ABRACON's products are not specifically designed for Military, Aviation, Aerospace, Lifedependant Medical applications or any application requiring high reliability where component failure could result in loss of life and/or property. For applications requiring high reliability and/or presenting an extreme operating environment, written consent and authorization from ABRACON LLC is required. Please contact ABRACON LLC for more information.
- All specifications and Marking will be subject to change without notice.

ATTENTION: Abracon LLC's products are COTS – Commercial-Off-The-Shelf products; suitable for Commercial, Industrial and, where designated, Automotive Applications. Abracon's products are not specifically designed for Military, Aviation, Aerospace, Life-dependent Medical applications or any application requiring high reliability where component failure could result in loss of life and/or property. For applications requiring high reliability and/or presenting an extreme operating environment, written consent and authorization from Abracon LLC is required. Please contact Abracon LLC for more information.



5101 Hidden Creek Ln Spicewood TX 78669
Phone: 512-371-6159 | Fax: 512-351-8858
For terms and conditions of sales, please visit:
www.abracon.com

REVISED: 07.24.2020

ABRACON IS
ISO9001-2015
CERTIFIED