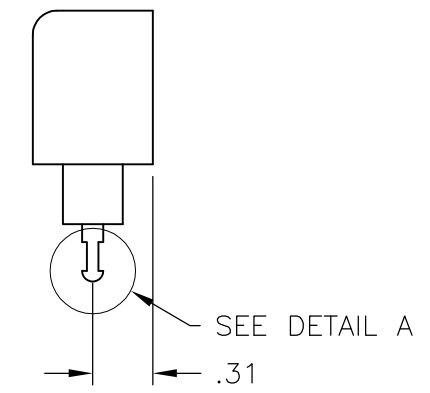
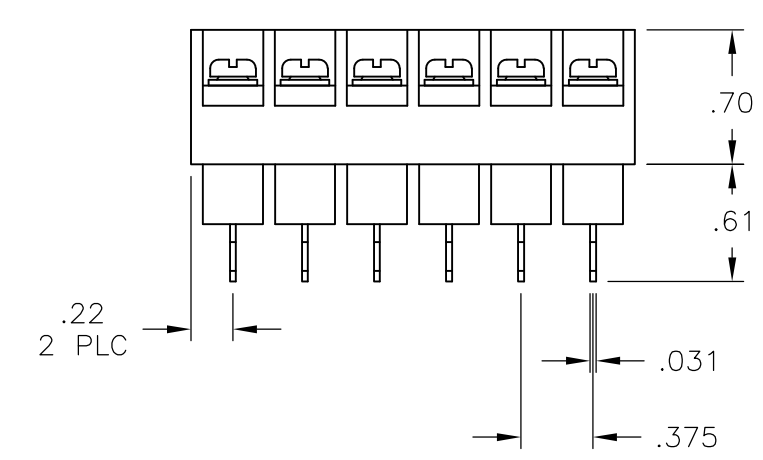
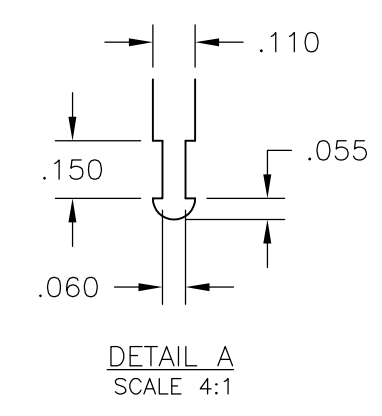
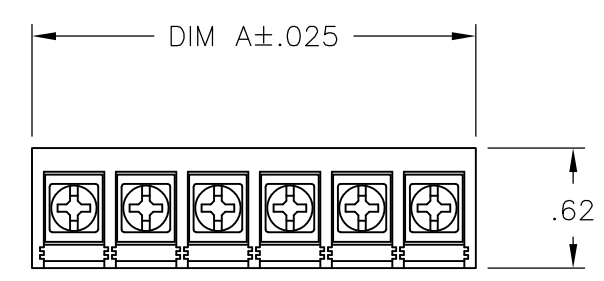


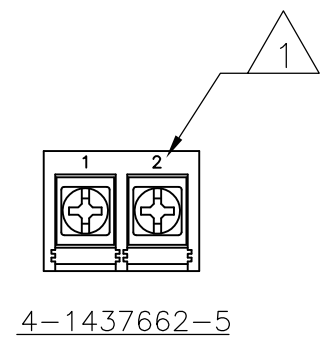
THIS DRAWING IS UNPUBLISHED. RELEASED FOR PUBLICATION
 © COPYRIGHT BY TYCO ELECTRONICS CORPORATION. ALL INTERNATIONAL RIGHTS RESERVED.

LOC	DIST	REVISIONS					
FT	0	P	LTR	DESCRIPTION	DATE	DWN	APVD
			B	REVISED PER ECO-10-013203	25JUN10	HMR	CR

NOTES:
MATERIAL:
 HOUSING: THERMOPLASTIC, UL94V-0, BLACK.
 TERMINALS: TIN PLATED COPPER ALLOY.
 SCREWS: 6-32, STEEL, ZINC PLATED W/ CLR CHROMATE.
ELECTRICAL:
 MAX CURRENT: 20A
 OPERATING VOLTAGE: 300V.
 WIRE RANGE: 12-22 AWG.
ENVIRONMENTAL:
 OPERATING TEMP.: +105° MAX.
 1 MARKED WITH WHITE INK.



7.561	20	BC6-T408-20	9-1437662-5
7.186	19	BC6-T408-19	9-1437662-4
6.811	18	BC6-T408-18	9-1438662-3
6.436	17	BC6-T408-17	9-1437662-2
6.061	16	BC6-T408-16	9-1437662-1
5.686	15	BC6-T408-15	9-1437662-0
5.311	14	BC6-T408-14	8-1437662-9
4.936	13	BC6-T408-13	8-1437662-8
4.561	12	BC6-T408-12	8-1437662-7
4.186	11	BC6-T408-11	8-1437662-6
3.811	10	BC6-T408-10	8-1437662-5
3.436	9	BC6-T408-09	8-1437662-4
3.061	8	BC6-T408-08	4-1437662-8
2.686	7	BC6-T408-07	8-1437662-3
2.311	6	BC6-T408-06	8-1437662-2
1.936	5	BC6-T408-05	8-1437662-1
1.561	4	BC6-T408-04	4-1437662-6
1.186	3	BC6-T408-03	8-1437662-0
.811	2	BC6-T408-02-278	4-1437662-5
.811	2	BC6-T408-02	9-1437662-6



THIS DRAWING IS A CONTROLLED DOCUMENT.		DWN	S SCHLEGEL	8/4/04	Tyco Electronics Corporation Harrisburg, PA 17105-3608		
DIMENSIONS: INCHES		CHK	S. YODER	8/4/04			
TOLERANCES UNLESS OTHERWISE SPECIFIED:		APVD	S. YODER	8/4/04	NAME		
0 PLC ± -		PRODUCT SPEC		BC6-T408-XX ASSEMBLY			
1 PLC ± -		APPLICATION SPEC		RESTRICTED TO			
2 PLC ± .02		SIZE	A3	CAGE CODE	00779	DRAWING NO	G-4-1437662-6
3 PLC ± .010		WEIGHT		SCALE		SHEET	1 OF 1
4 PLC ± -		CUSTOMER DRAWING		NTS		REV B	
ANGLES ± -							
FINISH							