

THIS DRAWING IS UNPUBLISHED.

RELEASED FOR PUBLICATION

20

LOC HQ DIST 00

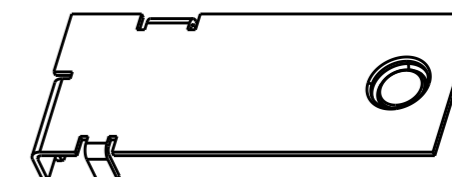
REVISIONS

© COPYRIGHT 20 BY - ALL RIGHTS RESERVED.

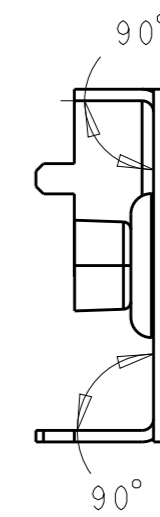
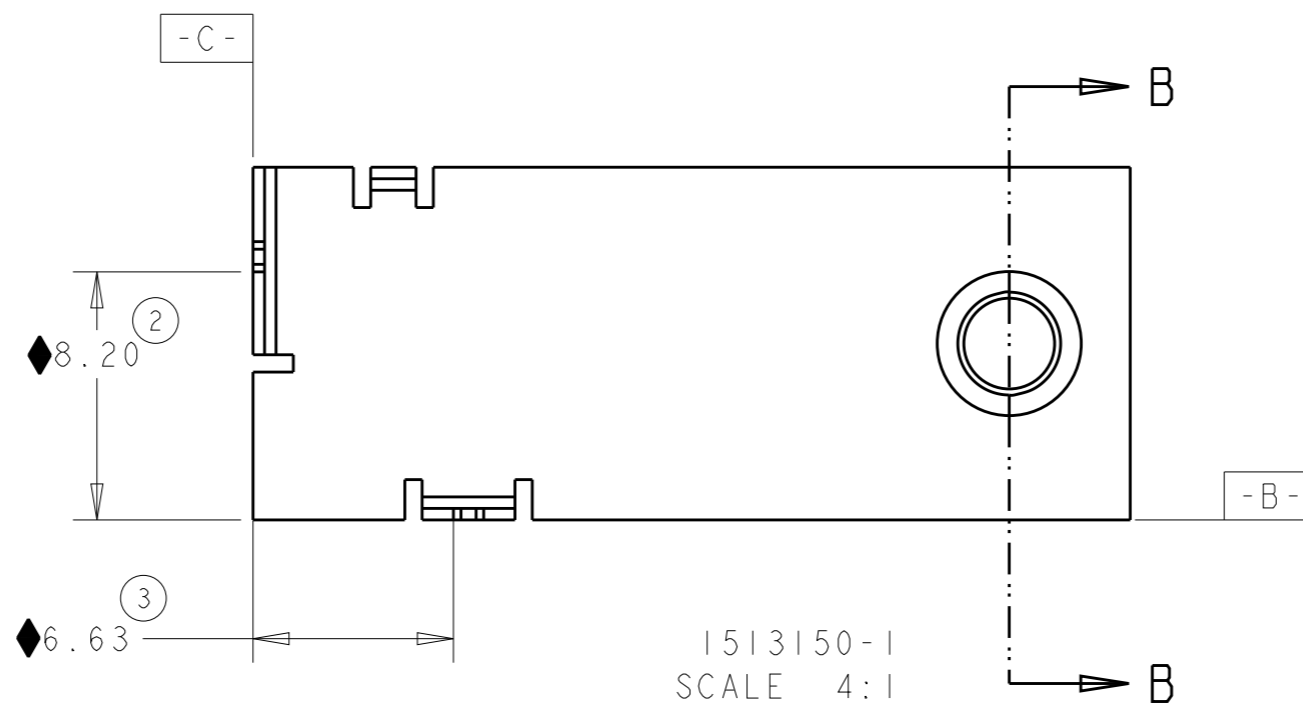
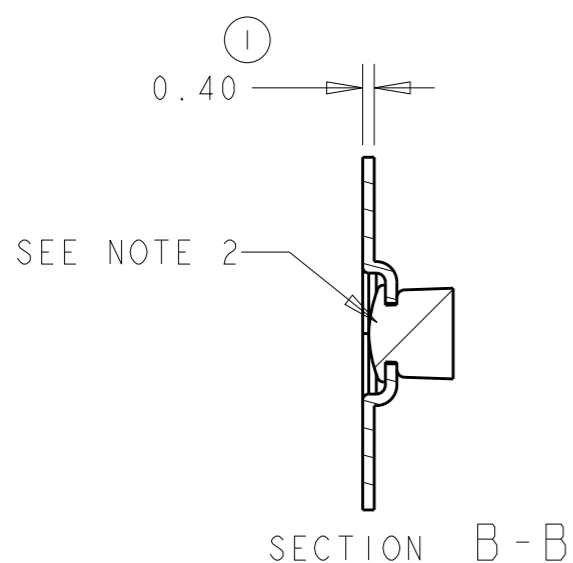
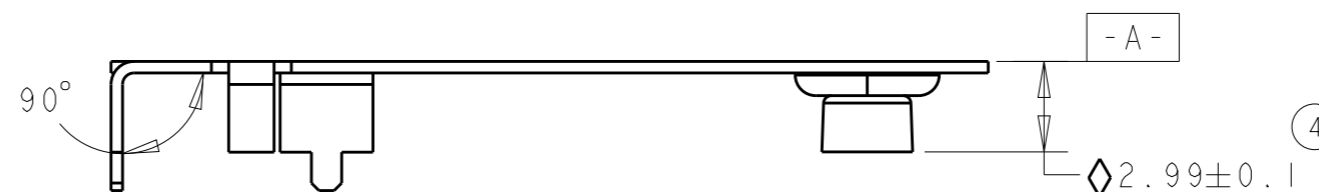
P	LTR	DESCRIPTION	DATE	DWN	APVD
	H	REV PER ECO 12-002787	10FEB2012	DW	GG

NOTES: UNLESS OTHERWISE SPECIFIED.

- PART ARE RoHS COMPLIANT PER TE CONNECTIVITY STANDARD TEC-138-702
- PART WILL BE IDENTIFIED WITH TE LOGO, REV, PART NUMBER AND 4 DIGIT DATE CODE. WITH THE 1st TWO DIGITS FOR THE YEAR AND THE 2nd TWO DIGITS FOR THE WEEK.
- CONSULT TE CONNECTIVITY DATA SHEET DS1513150



FINISHED PRODUCT
P/N 1513150-1



1513150-1
SCALE 4:1

THIS DRAWING IS A CONTROLLED DOCUMENT.		DWN DJL 28APR2003		
DIMENSIONS: mm		CHK -		
TOLERANCES UNLESS OTHERWISE SPECIFIED:		APVD -	NAME Bluetooth 802.11b Antenna Assembly Fabrication Drawing	
0 PLC ±.25		PRODUCT SPEC -	SIZE A3 CAGE CODE 00779 G=1513150	
1 PLC ±.10		APPLICATION SPEC -	RESTRICTED TO -	
2 PLC ±.05		WEIGHT -	SCALE 2:1 SHEET 1 OF 1 REV H	
3 PLC ±.025		CUSTOMER DRAWING		
4 PLC ±.01				
ANGLES ±1°				
MATERIAL -				
FINISH -				