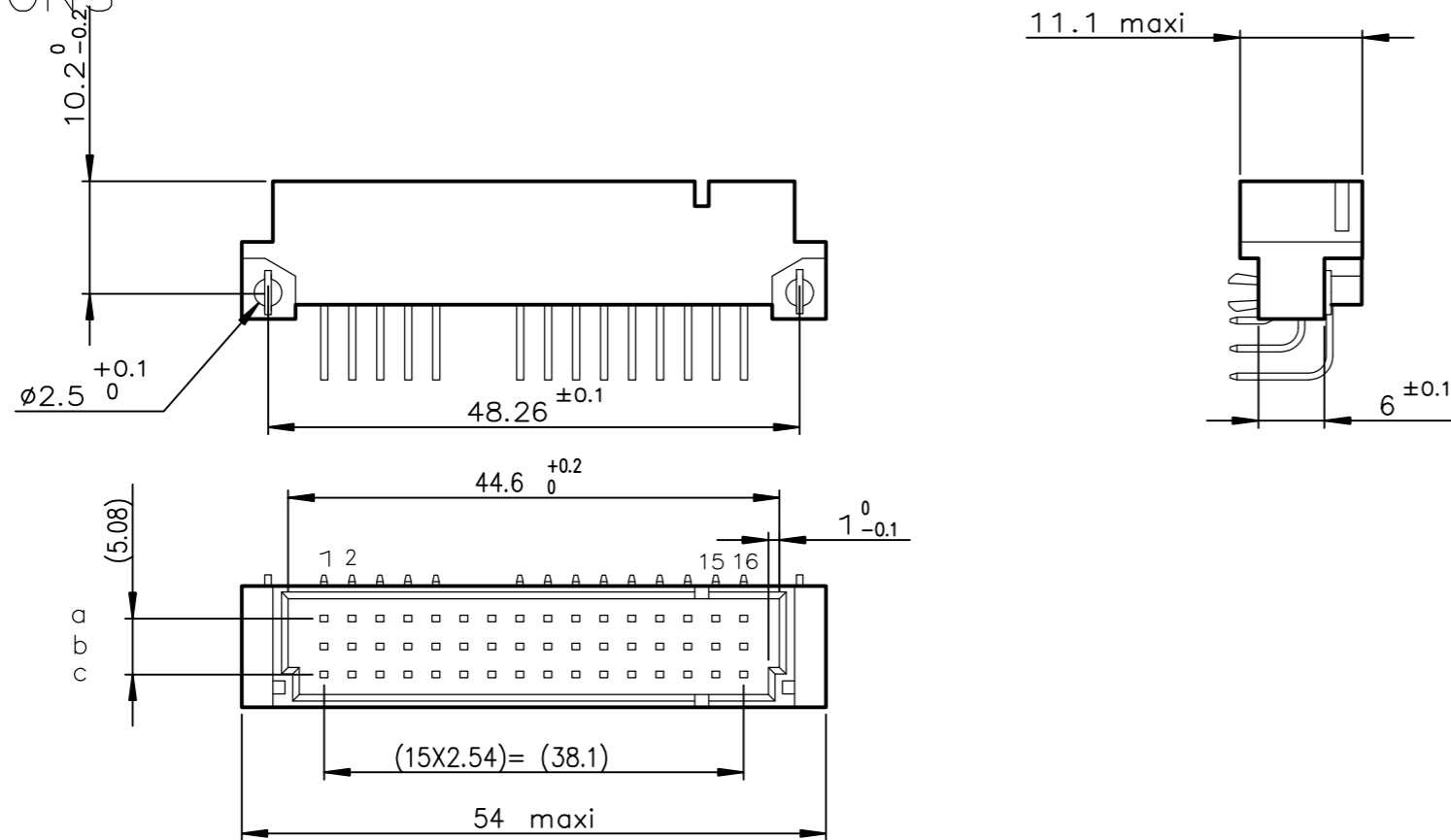


DIMENSIONS



TIN LEAD PART NUMBER

PART NUMBER

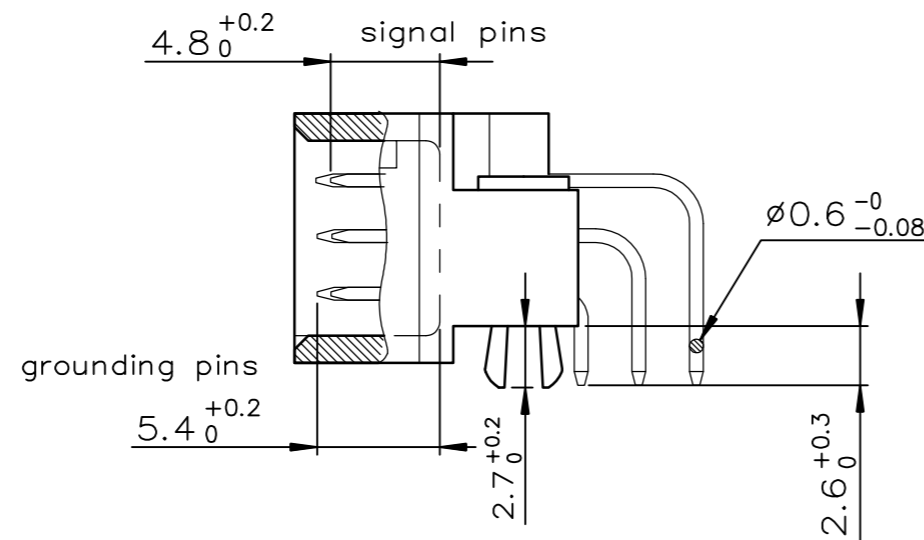
86093427313H50781E1

LEAD FREE PART NUMBER

PART NUMBER

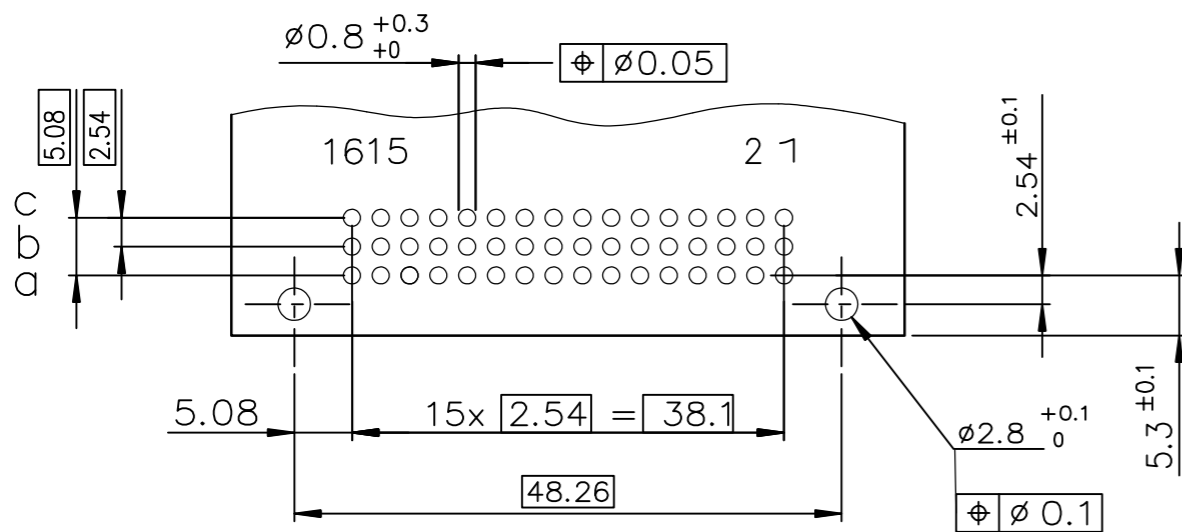
86093427313H50BSLF

TERMINATION



SPECIFICATION 781 = no contact in position : row:a-b-c cavities 6-7
 or SPECIFICATION BS = + grounding pins in a15-b15-c15

PCB DRILLING
 component side



GENERAL CHARACTERISTICS AND ROHS INFORMATIONS:
 SEE DRAWING C-8609-0000A

European Views

www.fciconnect.com		surface ISO 1302	tolerance std ISO 406 ISO 1101	projection mm
TOLERANCES UNLESS OTHERWISE SPECIFIED				size A3
Dr	ROUILLARD	1998/03/06	ANGULAR	Scale 1.5
Eng	TARON	1998/03/06	LINEAR	ECN ELX-I-41744
Chr	M JACOB	2021/07/21	0.XX ±2	Spec ref -
Appr	SANOJ	2021/07/21	Product family DIN 8609	
rev	ecn no	dr	date	Rev.
C	-	ROU	1999/12/10	F
D	LS05-001	JTA	2005/03/01	
E	LS06-0095	LGO	2006/06/24	
F	ELX-I-41744	MJA	2021/07/21	
Amphenol FCI title			STANDARD MALE 3 ROW	dwg no
			42 CONTACTS	C-8609-0694
catalog no			-	CUSTOMER sheet 1 of 1