



POWER DISTRIBUTION BLOCKS

new



repar_043.eps
 Power distribution blocks
 single pole UL



repar_046.eps
 Power distribution blocks
 single pole UR



repar_051.eps
 Power distribution blocks
 three-pole UR

The solution for

- > Electrical distribution
- > Industrial control cabinets
- > Switchboards
- > Panelboards
- > PV Combiner/Re-combiner boxes



Strong points

- > IP20 finger safe protection
- > Wide range
- > Easy integration
- > Flexibility of wiring
- > UL, UR & IEC range

Conformity to standards

- > UL 1953
File N° E500778
- > UL 1059
File N° E500524



- > IEC 61439-1
- > IEC 60947-7-1



Function

SOCOME Power distribution blocks allow easy connection of conductors to distribute power from one load into multiple smaller loads. They are installed downstream of a disconnect switch, transfer switch or circuit breaker.

Advantages

IP20 finger safe protection

- IP20 rated.
- Finger-safe design provides touch safe protection from live parts.

Wide range

The extent of the range makes it possible to find the distribution system adapted to its needs:

- 5 single pole power distribution blocks UL,
- 4 single pole power distribution blocks UR,
- 1 multipolar power distribution blocks UR.

Easy integration

Compactness of the different distribution blocks allows an easier integration into the equipment and allows for either DIN rail mounting on direct panel mounting.

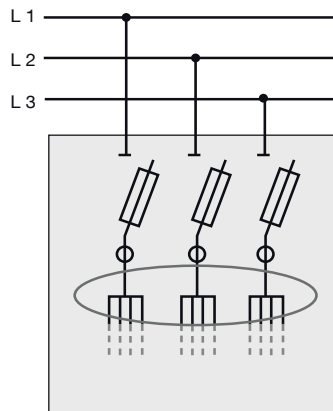
Flexibility of Wiring

Allows use of standard solid, stranded and fine wire strands with use of compression sleeve.

UL & IEC range

The range of distribution blocks comply to the UL standards & the IEC standards.

Application



repar_045_a_1_x_cat.ai



POWER DISTRIBUTION BLOCKS

Power distribution blocks UL / IEC

General characteristics



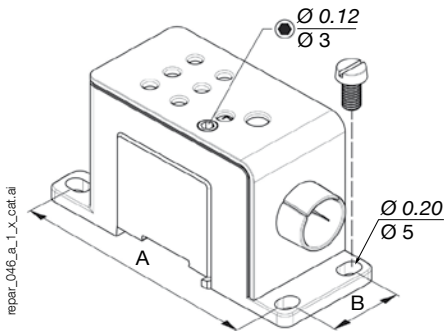
repar_043.eps

- Material: tin plated aluminum
- Suitable conductors: aluminum or copper.
- IP20 finger-safe protection per IEC 529.
- Adjustable Dial allows for Selection of L1-L2-L3 phase designation.
- Simple and secure DIN rail locking clip allows easy mounting on DIN Rail.
- Panel mounting.
- Included connection clip allows to join multiple poles together.
- Voltage Ratings: 1000 VAC/DC UL

References

Type	Rating (A)				References
	UL		IEC		
	Cable Cu	Cable Al	Cable Cu	Cable Al	
Type 1	85	65	80	63	54UL 1008
Type 2	115	90	125	100	54UL 1012
Type 3	175	135	175	135	54UL 1017
Type 4	255	205	250	200	54UL 1025
Type 5	380	310	415	360	54UL 1040

Dimensions (in/mm)



repar_046_a_1_x_cat.ai

Type	Units	H x W x D	Mounting	
			A	B
Type 1	in	1.93 x 1.417 x 3.524	3.118	0.914
	mm	49 x 36 x 89.5	79.2	23.2
Type 2	in	1.93 x 1.417 x 3.524	3.118	0.914
	mm	49 x 36 x 89.5	79.2	23.2
Type 3	in	2.09 x 1.417 x 3.898	3.492	0.914
	mm	53 x 36 x 99	88.7	23.2
Type 4	in	2.39 x 2.126 x 4.488	4.063	1.622
	mm	60.7 x 54 x 114	103.7	41.2
Type 5	in	2.39 x 2.126 x 4.488	4.063	1.622
	mm	60.7 x 54 x 114	103.7	41.2

Connections & electrical characteristics

Type	For connection	Number of holes	Solid / stranded wired		Fine wire with sleeve		UL 1953 Voltage Max.		IEC 60947-7-1 Voltage Max.		Short circuit withstanding		
			UL connection	IEC connection	UL connection	IEC connection	AC (V)	DC (V)	AC (V)	DC (V)	I _{cw} (kA)	I _{pk} (kA)	SCCR (kA) ⁽¹⁾
Type 1	Line	1	3 - 14 AWG	2.5 - 25 mm ²	3 - 14 AWG	2.5 - 25 mm ²	1000	1000	1000	1500	3	35	100
	Load	6	8 - 14 AWG	2.5 - 10 mm ²	10 - 14 AWG	2.5 - 6 mm ²							
Type 2	Line	1	1 - 14 AWG	2.5 - 50 mm ²	2 - 14 AWG	2.5 - 35 mm ²					6	36.1	
	Load	6	4 - 14 AWG	2.5 - 25 mm ²	6 - 14 AWG	2.5 - 16 mm ²							
Type 3	Line	1	2/0 - 14 AWG	2.5 - 70 mm ²	1/0 - 14 AWG	2.5 - 50 mm ²					8.4	40.8	
	Load	4	4 - 14 AWG	2.5 - 25 mm ²	6 - 14 AWG	2.5 - 16 mm ²							
Type 4	Line	1	250 - 2 kcmil	35 - 120 mm ²	4/0 - 2 AWG	35 - 95 mm ²	14.4	47.7					
	Load	6	2 - 14 AWG	2.5 - 35 mm ²	4 - 14 AWG	2.5 - 25 mm ²							
Type 5	Line	1	500 - 2/0 kcmil	70 - 240 mm ²	400 - 2/0 kcmil	70 - 185 mm ²	28.8	57.2					
	Load	6	8 - 14 AWG	2.5 - 35 mm ²	4 - 14 AWG	2.5 - 25 mm ²							

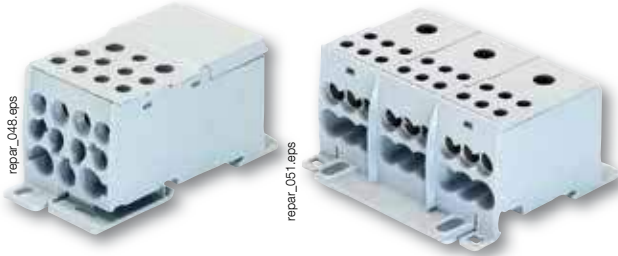
(1) UL 100kA pending.



POWER DISTRIBUTION BLOCKS

Power distribution blocks UR / IEC

General characteristics

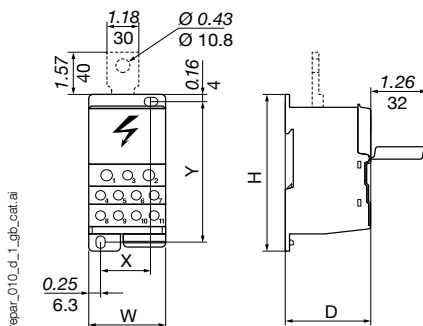


- Material: tin plated aluminum.
- Suitable conductors: aluminum or copper.
- IP20 finger-safe protection per IEC 529.
- DIN Rail mounting.
- Panel mounting.
- Voltage Ratings: 600 VAC/DC

References

Type	Nb poles	Rating (A)				References
		UR		IEC		
		Cable Cu	Cable Al	Cable Cu	Cable Al	
Type 1	1 P	115	90	125	100	5411 1012
Type 2	1 P	115	90	125	100	5411 1013
Type 3	1 P	175	135	175	135	5411 1017
Type 4	1 P	255	-	250	200	5411 1025
Type 5	3 P	175	135	175	135	5411 3017
Accessorie						References
Type 4 connection for devices						5410 0025

Dimensions (in/mm)



Type	Units	Dimensions H x W x D	Mounting	
			A	B
Type 1	in	2.91 x 1.06 x 1.81	2.44	0.157
	mm	74 x 27 x 46	62	4
Type 2	in	2.80 x 1.77 x 1.69	2.386	0.685
	mm	71 x 45 x 43	60.6	17.4
Type 3	in	2.80 x 1.77 x 1.69	2.386	0.685
	mm	71 x 45 x 43	60.6	17.4
Type 4	in	3.74 x 1.75 x 1.93	3.836	1.165
	mm	95 x 44.5 x 49	86	29.6
Type 5	in	2.8 x 3.15 x 1.93	2.382	2.07
	mm	72 x 80 x 43	60.6	52.5

Direct or cable connection distribution blocks, IP20 which can be clipped onto a symmetric DIN rail.



POWER DISTRIBUTION BLOCKS

Connections & electrical characteristics

Type	For connection	Number of holes	Solid / stranded wired		Fine wire with sleeve		UL 1059 Voltage Max.		IEC 60947-7-1 Voltage Max.		Short circuit withstanding																	
			UL connection	IEC connection	UL connection	IEC connection	AC (V)	DC (V)	AC (V)	DC (V)	I _{cw} (kA)	I _{pk} (kA)																
Type 1	Line	1	2 - 8 AWG	10 - 35 mm ²	2 - 8 AWG	10 - 35 mm ²	600	600	1000	1500	4,2	30																
	Line	1	4 - 14 AWG	2,5 - 25 mm ²	6 - 14 AWG	2,5 - 16 mm ²																						
	Load	6	4 - 14 AWG	2,5 - 25 mm ²	6 - 14 AWG	2,5 - 16 mm ²																						
Type 2	Line	1	2 - 8 AWG	10 - 35 mm ²	2 - 8 AWG	10 - 35 mm ²					600	600	1000	1500	4,2	30												
	Load	10	4 - 14 AWG	2,5 - 16 mm ²	6 - 14 AWG	2,5 - 10 mm ²																						
Type 3	Line	1	2/0 - 8 AWG	10 - 70 mm ²	1/0 - 8 AWG	10 - 50 mm ²									600	600	1000	1500	11	30								
	Load	10	4 - 14 AWG	2,5 - 16 mm ²	6 - 14 AWG	2,5 - 10 mm ²																						
Type 4	Line	1	250 - 2 kcmil	35 - 120 mm ²	4/0 - 2 AWG	35 - 95 mm ²													600	600	1000	1500	21	51				
	Load	2	2 - 14 AWG	2,5 - 35 mm ²	4 - 14 AWG	2,5 - 25 mm ²																						
	Load	5	6 - 14 AWG	2,5 - 16 mm ²	6 - 14 AWG	2,5 - 16 mm ²																						
	Load	4	8 - 14 AWG	2,5 - 10 mm ²	8 - 14 AWG	2,5 - 10 mm ²																						
Type 5	Line	1	2/0 - 8 AWG	10 - 70 mm ²	1/0 - 8 AWG	10 - 50 mm ²																	600	600	1000	1500	11	30
	Load	6	4 - 14 AWG	2,5 - 16 mm ²	6 - 14 AWG	2,5 - 10 mm ²																						