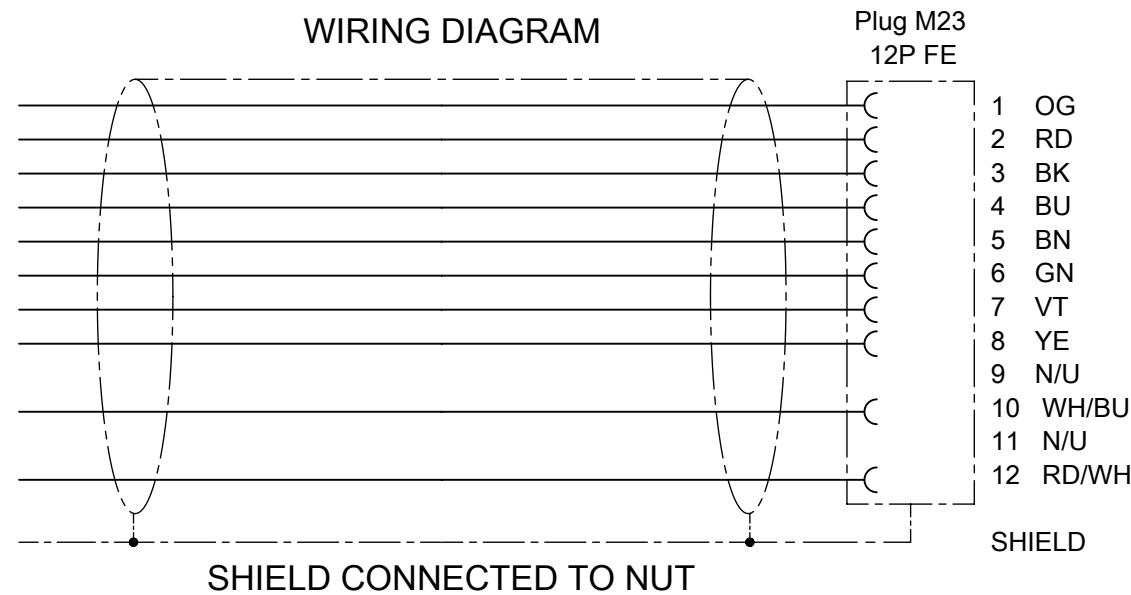


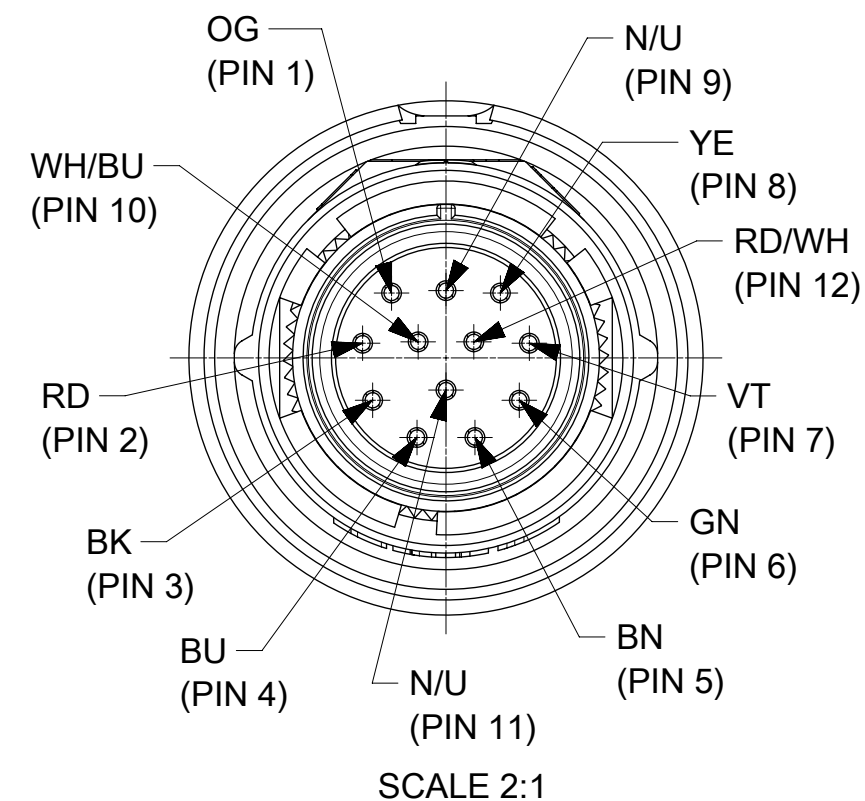
TABLE 1

MOLEX PN	L [mm]	Tol. [mm]
1204901567	1000	+40
1204901568	2000	+60
1204901569	3000	+60
1204901570	4000	+60
1204901571	5000	+60
1204901572	10000	+80
1204901573	15000	+140
1204901574	20000	+140

WIRING DIAGRAM



Connector pin assignment  
Plug M23 12P FE



Technical Data:

Number of positions	12
Number of contcts	12
Contact Ø [mm]	1
Nominal current [A]	9 (for 0.50mm <sup>2</sup> ) 5 ( for 0.38mm <sup>2</sup> )
Nominal voltage [V~]	200
Degree of polution 3	
Test voltage [V~]	2500
Max. contact resistance [mΩ]	3
Insulation resistance [MΩ]	>10 <sup>10</sup>
Protection	IP67 (connected)
Temperatur range (fixed)	-40°C to 90°C
Temperature range (flex)	-25°C to 80°C

Further details see Product Specification 1204900050  
The cordsets delivered packed into carton without PE-bag

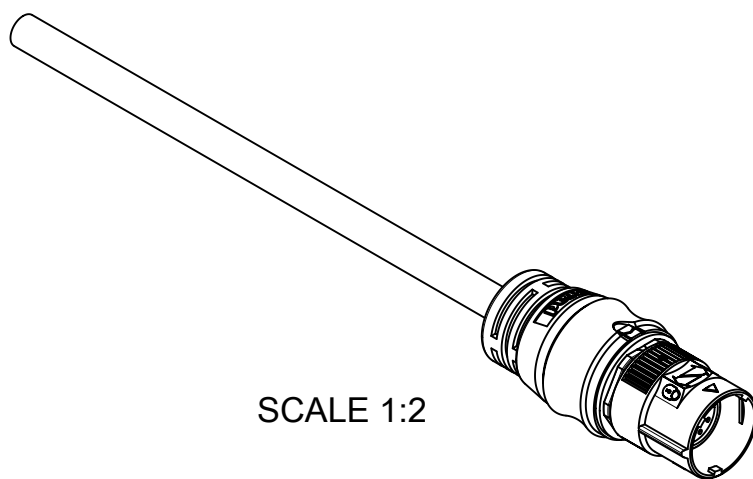


TABLE 2

ITEM	QTY	DESCRIPTION
1	1	PLG M23QC 12P PC FE STR SHLD
2	1	CABLE 4X(2X0.38)+4X0.5 WSOR GN D9.5 SHLD

SYMBOLS		THIS DRAWING CONTAINS INFORMATION THAT IS PROPRIETARY TO MOLEX ELECTRONIC TECHNOLOGIES, LLC AND SHOULD NOT BE USED WITHOUT WRITTEN PERMISSION		CURRENT REV DESC:			
▽ = 0	mm	SCALE	1:1				
▽ = 1	GENERAL TOLERANCES (UNLESS SPECIFIED)		DRWN: THAERDT		2019/10/21	CSE M23QC 12P SC FE STR WSOR 1M SHLD	
▽ = 0	ANGULAR TOL ± 1.0°		CHK'D: RSILLER		2019/11/21	PRODUCT CUSTOMER DRAWING	
▽ = 0	4 PLACES ±		APPR: RSILLER		2019/11/21	DOCUMENT NUMBER	
▽ = 0	3 PLACES ±		INITIAL REVISION:		1204901567		DOC TYPE
▽ = 0	2 PLACES ± 0.05		DRWN: MSCHERER		2018/06/29	PSD	DOC PART
▽ = 0	1 PLACE ± 0.3		APPR: RSILLER		2019/11/21	000	REVISION
▽ = 0	0 PLACES ± 0.5		THIRD ANGLE PROJECTION		A3-SIZE		1
▽ = 0	DRAFT WHERE APPLICABLE MUST REMAIN WITHIN DIMENSIONS		DRAWING		SERIES	MATERIAL NUMBER	CUSTOMER
▽ = 0			A3-SIZE		120490	SEE TABLE 1	GENERAL MARKET
						SHEET NUMBER	
						1 OF 1	